

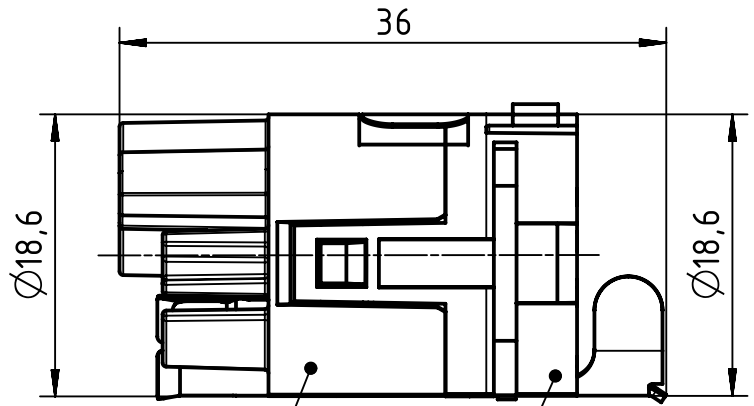
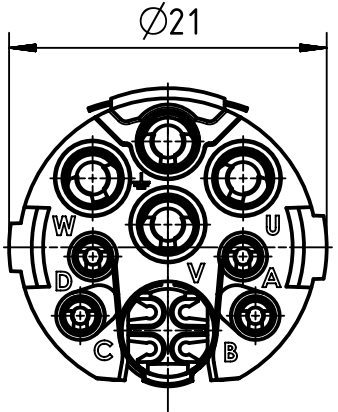
1 2 3 4 5 6

A

B

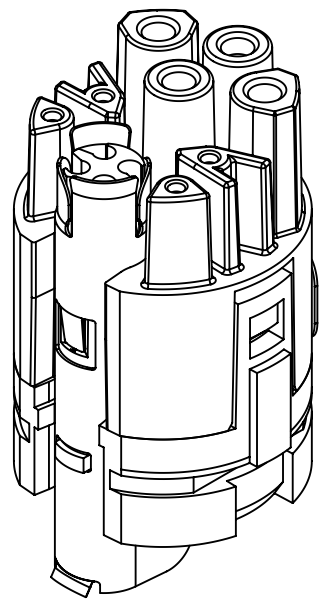
C

D



upper part, female

bottom part, female



	All Dimensions in mm Original Size DIN A4		Scale 2:1	Free size tol.		Ref.
			Created by HELLMANN	Inspected by RIEPE	Standardisation TIEMANNA	Date 2017-09-07
All rights reserved Department EL PD - DE		HARTING Electric GmbH & Co. KG D-32339 Espelkamp		Title Han M23 P Hybrid 4+4+3+PE Female-C		State Final Release
				Type TB	Number 09 15 612 3101	Doc-Key / ECM-Nr. 100737705/UGD/000/A 500000124805
				Rev. A	Page 1/1	