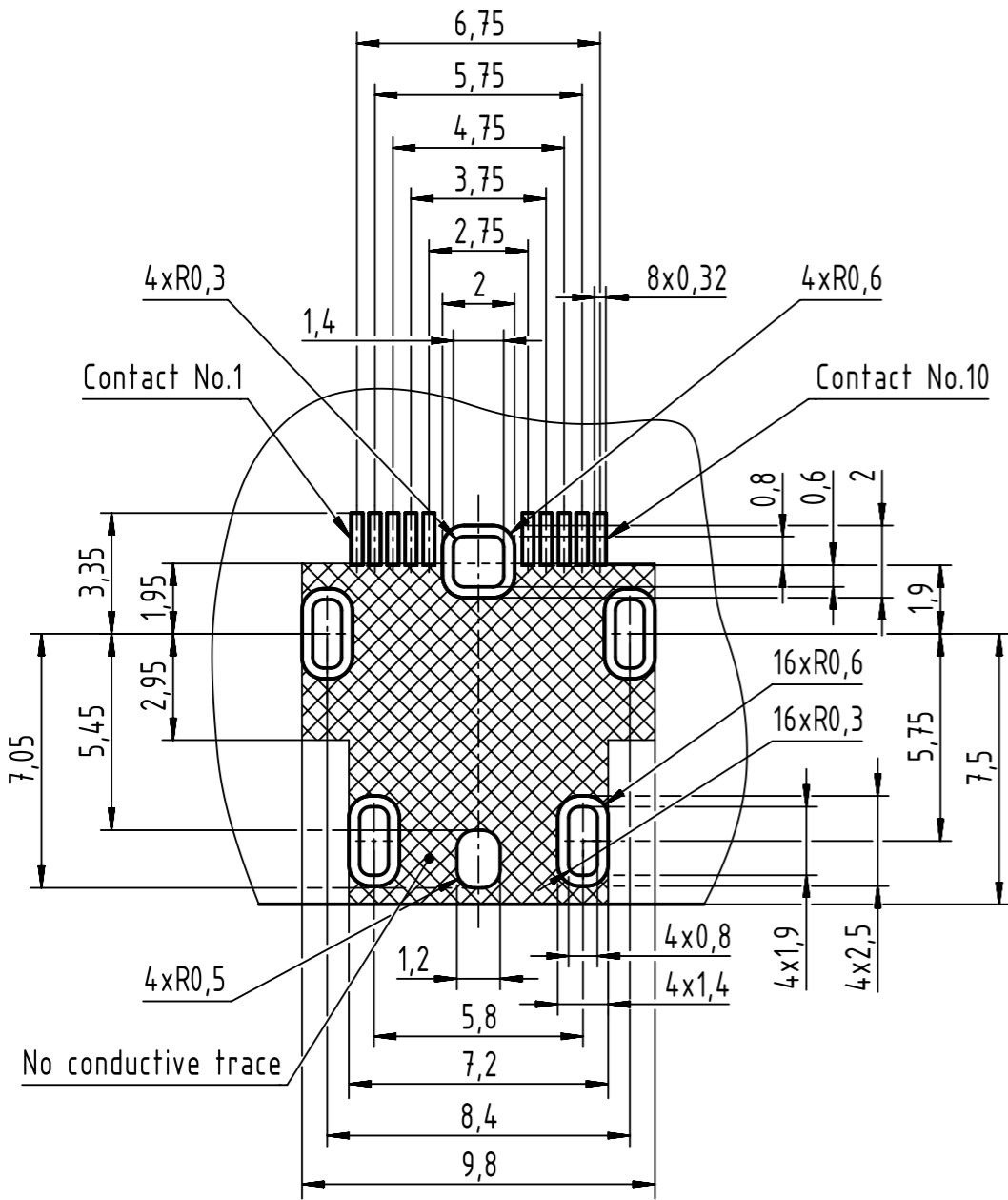


09452819000: Tape & reel packaging (400 pcs.)
 09452819000333: Single packaging (1 pcs.)

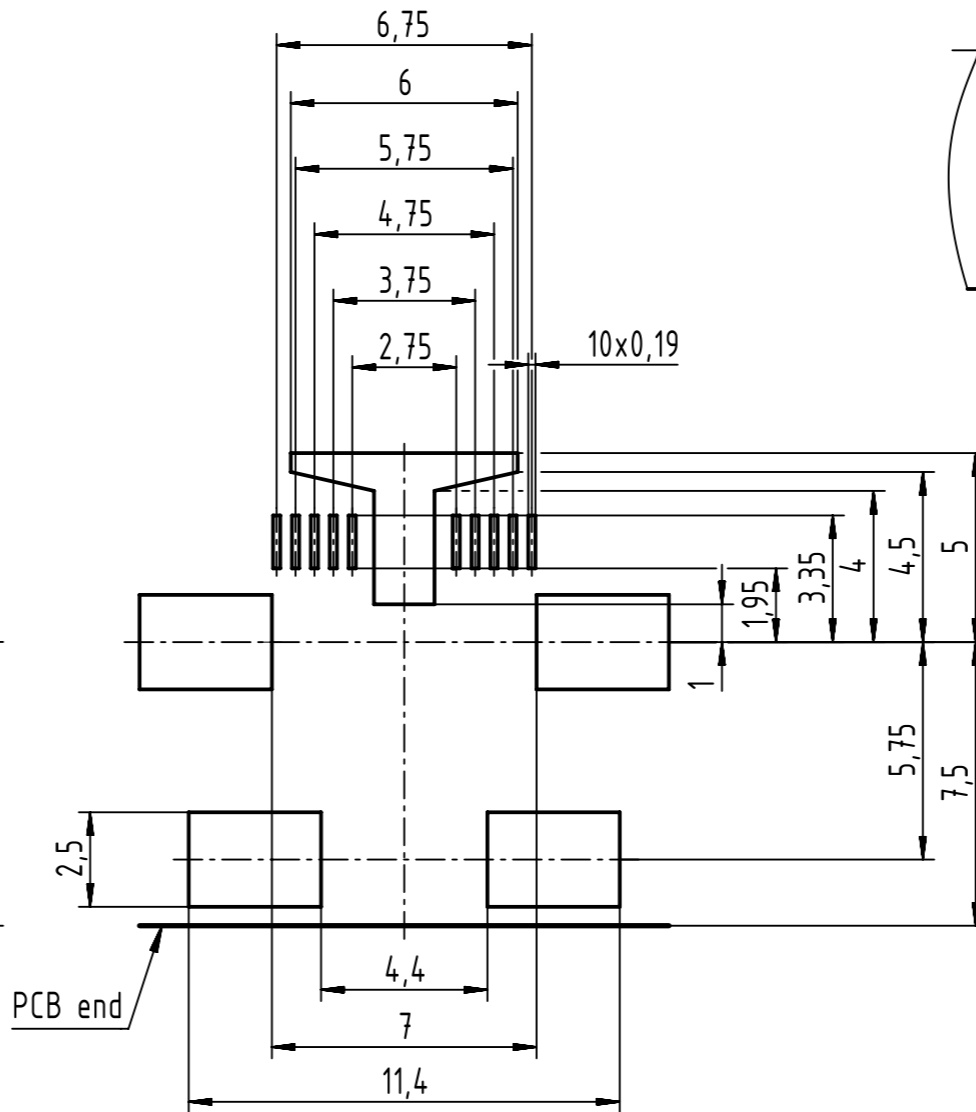
This product is mounted by reflow soldering.
 Contact material: copper alloy
 Contact area: Gold 0.2µm min.
 Lead area: Gold 0.03µm min.
 Under plating: Nickel 2µm min.

	All Dimensions in mm Original Size DIN A3		Scale 5:1	Free size tol.		Ref.	
	All rights reserved Department EL PD		Created by POPESCU	Inspected by PRIESTER	Standardisation HOFFMANN	Date 2018-08-27	State Final Release
HARTING Electronics GmbH D-32339 Espelkamp		Title ix Industrial 10B-1 jack AV (T&R400)				Doc-Key / ECM-Nr. 100744153/UGD/000/B 500000138273	
		Type TB	Number 09452819000			Rev. B	Page 1/2

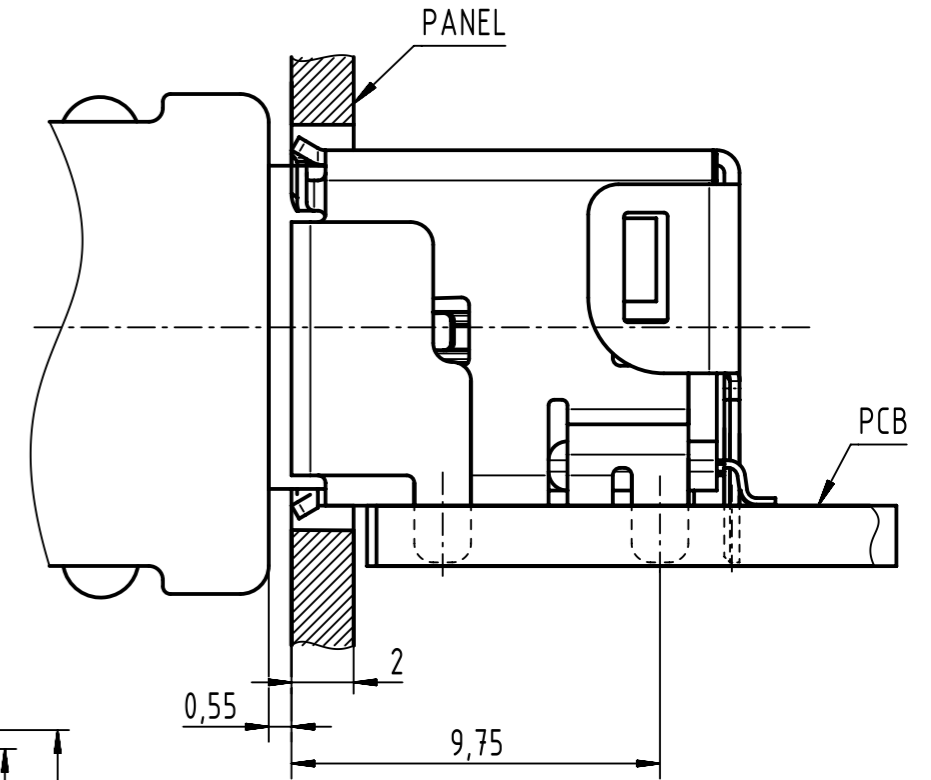
Reference PCB Layout (t=1.6)



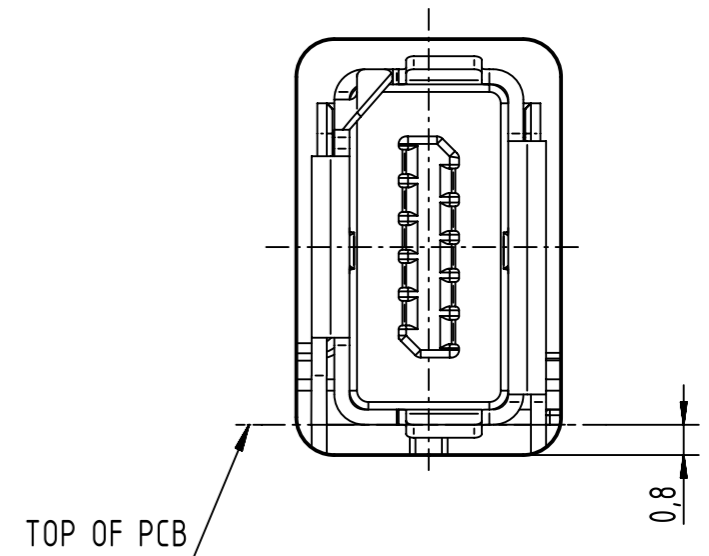
Reference Metal Mask Layout (t=0.15)



MATED CONDITION



REFERENCE DIMENSIONS OF PANEL CUT OUT



	All rights reserved	Created by	Inspected by	Standardisation	Date	State	
	Department EL PD	POPESCU	PRIESTER	HOFFMANN	2018-08-27	Final Release	
HARTING Electronics GmbH		ix Industrial 10B-1 jack AV (T&R400)				Doc-Key / ECM-Nr.	
D-32339 Espelkamp		Type	Number	Rev.		Page	
		TB	09452819000	B		2/2	