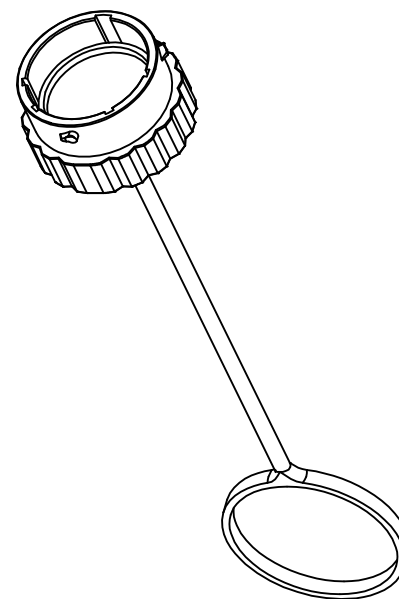
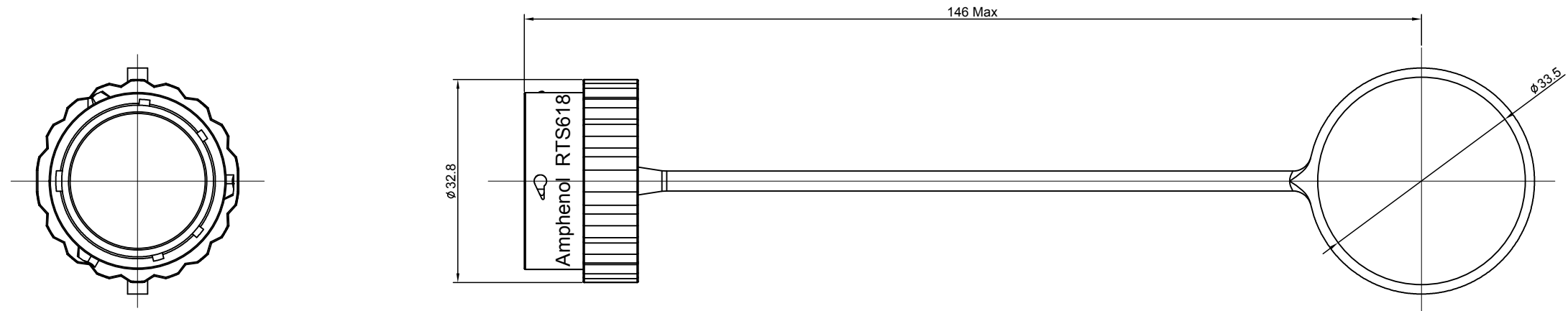


REVISIONS					
REV	ECO	DESCRIPTION	DATE	BY	APPR
A1	--	RELEASED DRAWING	Dec-26-2016	Ben	Tommy



NOTES : (UNLESS OTHERWISE SPECIFIED)

- MATERIAL :
SHELL : THERMOPLASTIC , UL94 V-0.
SEAL GASKET : NBR OR SR.
- SPECIFICATIONS :
2.1 OPERATING TEMPERATURE : SEE TABLE.
2.2 INSULATION RESISTANCE : 5000 MEGOHMS MIN.
2.3 IP CLASS : IP67.
2.4 MATING CYCLES DURABILITY : 500 CYCLES MIN.
2.5 RoHS COMPLIANT.
- ALL DIMENSIONS ARE FOR REFERENCE USE ONLY.

KEY	PART NUMBER	
		-40°C ~ 105°C
N	RTS618*DCG	RTS618*DCG03

QUANTITY	PART NUMBER	DESCRIPTION	ITEM												
MATERIALS LIST															
UNLESS OTHERWISE SPECIFIED 1) All dimensions are in metric(mm). 2) Tolerances are as follows: 1 PL DEC ±0.30 Fractions ±1/64 2 PL DEC ±0.15 Angles ±1° 3 PL DEC ±0.08		<table border="1"> <thead> <tr> <th>SIGNATURES</th> <th>DATE</th> </tr> </thead> <tbody> <tr> <td>DRAWN: Ben</td> <td>Dec-26-2016</td> </tr> <tr> <td>CHECKED: Tod</td> <td>Dec-26-2016</td> </tr> <tr> <td>ENGINEER:</td> <td></td> </tr> <tr> <td>APPROVAL: Tommy</td> <td>Dec-26-2016</td> </tr> <tr> <td>CUSTOMER:</td> <td></td> </tr> </tbody> </table>		SIGNATURES	DATE	DRAWN: Ben	Dec-26-2016	CHECKED: Tod	Dec-26-2016	ENGINEER:		APPROVAL: Tommy	Dec-26-2016	CUSTOMER:	
SIGNATURES	DATE														
DRAWN: Ben	Dec-26-2016														
CHECKED: Tod	Dec-26-2016														
ENGINEER:															
APPROVAL: Tommy	Dec-26-2016														
CUSTOMER:															
MATERIAL SPECIFICATIONS:		Amphenol Sine Systems - www.amphenol-sine.com 44724 Morley Drive Clinton Township, MI 48036													
PROCESS SPECIFICATIONS:		ECO-MATE, PLUG SEALING CAP, SIZE 18													
NEXT ASSY:		THIS DRAWING IS SUPPLIED FOR INFORMATION ONLY. DESIGN FEATURES, SPECIFICATIONS AND PERFORMANCE DATA SHOWN HEREON ARE THE PROPERTY OF THE AMPHENOL CORPORATION. NO RIGHTS OF REPRODUCTION ARE IMPLIED. ALL DIMENSIONS ARE SUBJECT TO NORMAL MANUFACTURING VARIATIONS.													
SCALE: NONE		SIZE: B C- TYPE: NONE DWG NO: RTS618*DCG* REVISION: A1	SHEET 1 OF 1												

TITLE: ECO-MATE PLUG SEALING CAP SIZE 18

DWG NO:

RTS618*DCG*

REV: A1

SH: 1

OF: 1