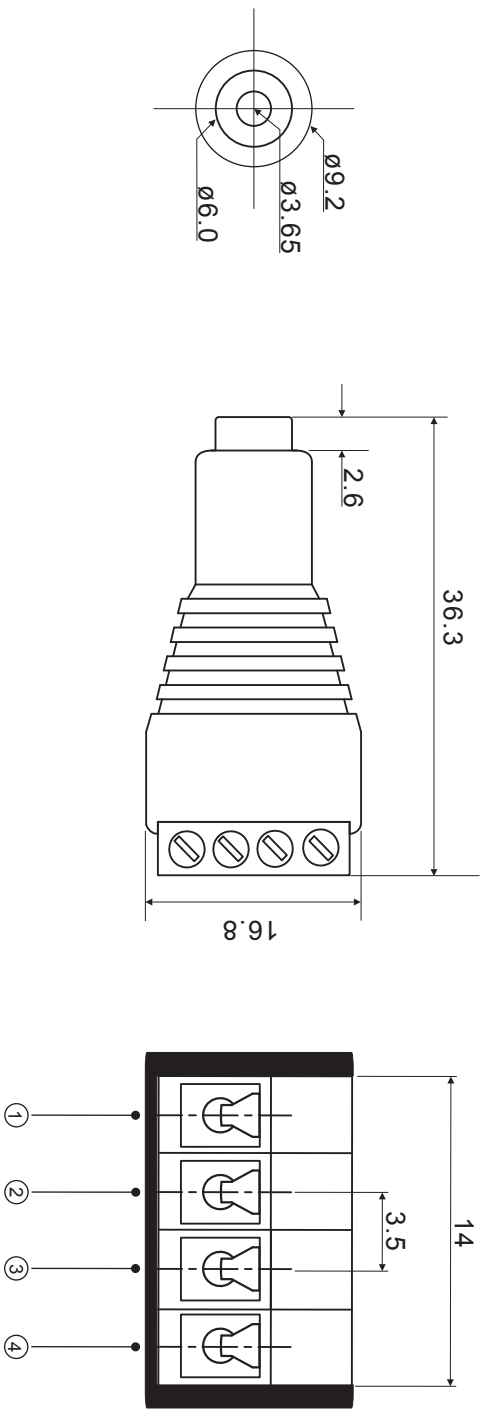


A B C D E F G H



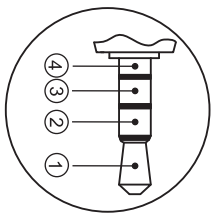
Technical Data:


Electrical:

- Voltage rating: 12VDC
- Current rating: 5A
- Contact resistance: <math>< 20\text{m}\Omega</math>
- Insulation resistance: 500M Ω / DC500V
- Wire range: 24-18AWG

Mechanical:

- Torque: 0.2Nm (1.8lb/in)
- Operating temperature: -40°C to 105°C
- Strip length: 4.5-5mm



DATE	REVISION	APPROVAL BY	DIMENSION	mm ± 0.3	MODEL No	CLB-JL-8131
			DRAW BY	Camilly Pun	NAME	4 Conductor 3.5mm Female Jack Adaptor
			APPROVAL BY	RIKIKI So	 Concept Design Manufacture	
			DATE	01-05-2015	<small>CIE Group Ltd, 3 Wyldkissan Close, Blenheim Ind Est Binwell, Nottingham NG6 8XG, England T: +44(0)115 977075 F: +44(0)115 977081 E: info@ciegroup.com W: www.cie-group.com</small>	

6

5

4

3

2

1