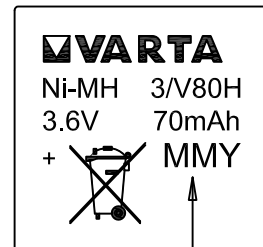
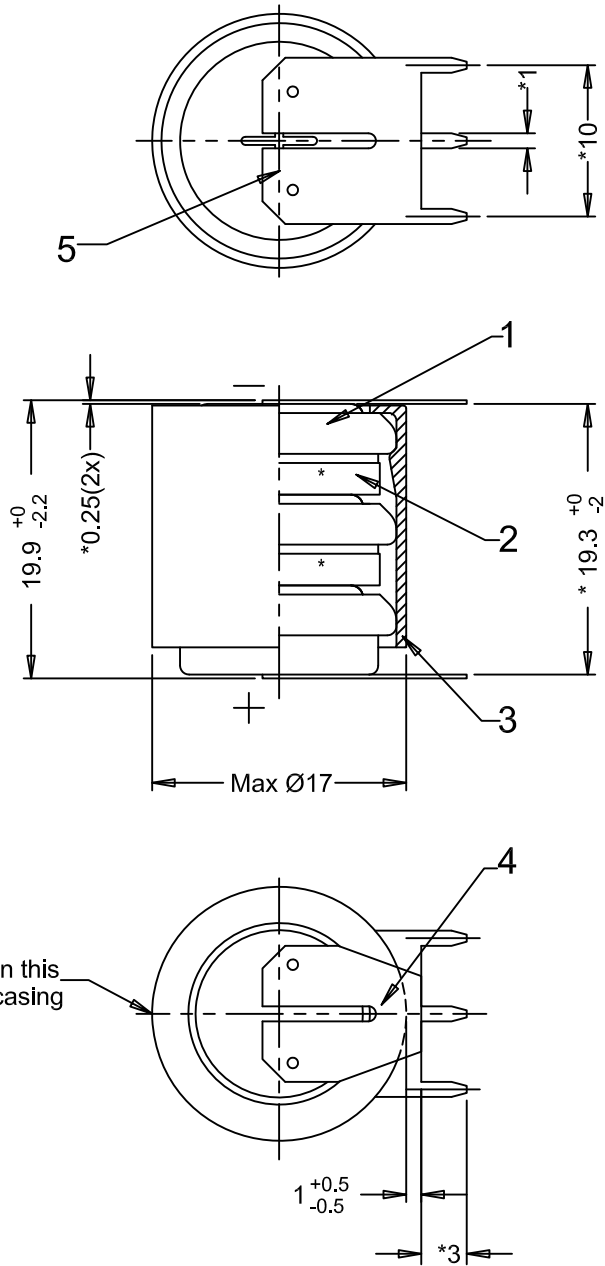


This is a controlled document.
 Hardcopy to be endorsed by authorised person.
 Check with Issuing Officer or SAP system for latest update.



Monthly code

Printing is on this side of the casing

Note: * Dimensions for reference only

Approx. wt : 12 g

No	AO No	Revisions	Date	Name
2	11-R264	Change date code format from Q3 (QQY) to M3 (MMY)	2011-12-30	TitisWS
1	R320/08	Add cross wheeled bin	2008-10-05	Eka

Projection:		Material: Refer to part list no: 070973		Description: 3/V80H SK SC PCBD with snap-on plastic casing & solder tags		
Dimensions in mm		Prepared & Checked 1997-11-10 A.P.ANG		Verified & Approved		Dwg. No: 070973
Tolerance: As specified		Scale: 2 : 1		VKB Order No: 55608 603 059		4 0 2

Rights reserved to make technical changes, as a result of further development, without notice. This drawing is the property of VARTA Microbattery and must not be copied or disclosed to a third party without the written consent of VARTA Microbattery.

