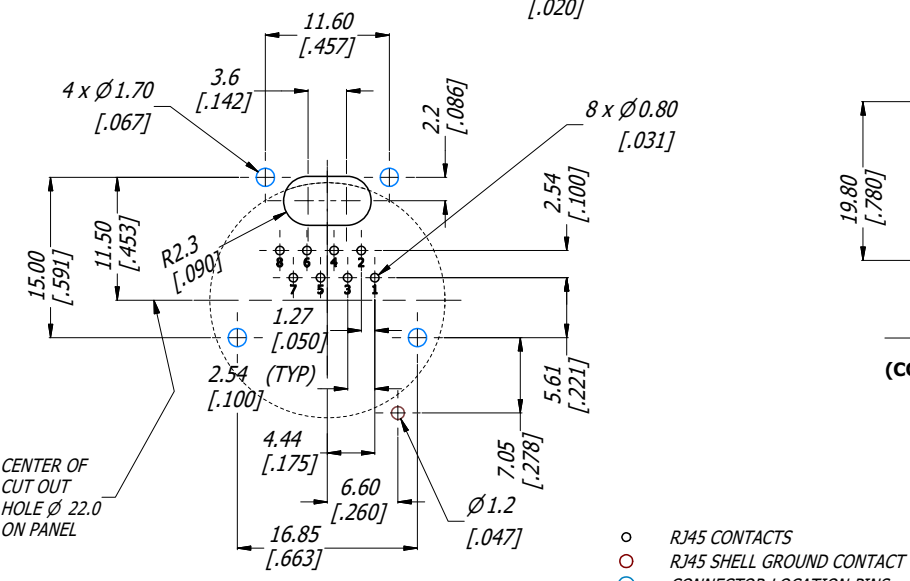
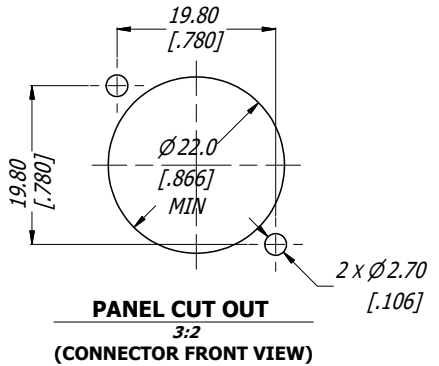


**TABLE OF PART NUMBERS**

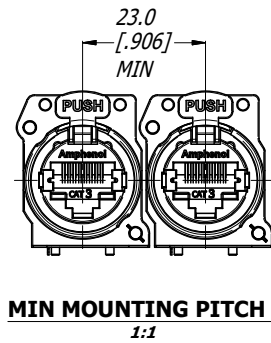
PART No.	FRONT SHELL MATERIAL
RJX8FA5VB	PLASTIC BLACK A TYPE CAT5e
RJX8FB5VB	METAL NICKEL PLATED B TYPE CAT5e
RJX8FA3VB	PLASTIC BLACK A TYPE CLASS D
RJX8FB3VB	METAL NICKEL PLATED TYPE B CLASS D



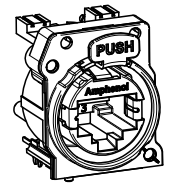
**PCB LAYOUT**  
2:1  
**(CONNECTOR REAR VIEW)**



**PANEL CUT OUT**  
3:2  
**(CONNECTOR FRONT VIEW)**



**MIN MOUNTING PITCH**  
1:1



**3D VIEW**  
1:1

- RJ45 CONTACTS
- RJ45 SHELL GROUND CONTACT
- CONNECTOR LOCATION PINS

**SPECIFICATIONS:**

- MATERIALS:**
  - PLASTIC INSERT & HOUSING: HIGH TEMPERATURE THERMOPLASTIC FLAMMABILITY RATING UL94V-0 DSM STANYL, 30% BLACK
  - FRONT SHELL: METAL: ZINC ALLOY ZAMAK 3, NICKEL PLATE (B TYPE) OR PLASTIC (A TYPE).
  - CONTACTS: PHOSPHORE BRONZE, 1.27 um GOLD PLATE ON MATING SURFACES, 1.27 um NICKEL MIN UNDERPLATE. 3.81 um MIN MATTE TIN ON CONTACT TAILS.
  - LATCH LOCK AND SPRING: SPRING STEEL, NICKEL PLATE.
- ELECTRICAL CHARACTERISTICS:**
  - RATED VOLTAGE: 125 VAC
  - TYPICAL CONTACT RESISTANCE: 20 mOhm
  - INSULATION RESISTANCE: >500 MOhm
  - DIELECTRIC STRENGTH: 1000 VAC, 60 SECONDS
  - TRANSMISSION SPECIFICATION/CLASS: COMPLIES WITH CLASS D PER TIA/EIA 568B OR CAT5e 1000 BASE-T PER TIA/EIA-568-C.2
  - PoE+ COMPLIES WITH 802.3at Type 2 (SEE PSE PINOUT ALTERNATIVE TABLE)

**PSE PINOUT ALTERNATIVES**

CONDUCTOR	Alternative-A (MDI-X)	Alternative-A (MDI)	Alternative-A (AII)
1	Negative V <sub>PSE</sub>	Positive V <sub>PSE</sub>	
2	Negative V <sub>PSE</sub>	Positive V <sub>PSE</sub>	
3	Positive V <sub>PSE</sub>	Negative V <sub>PSE</sub>	
4			Positive V <sub>PSE</sub>
5			Positive V <sub>PSE</sub>
6	Positive V <sub>PSE</sub>	Negative V <sub>PSE</sub>	
7			Negative V <sub>PSE</sub>
8			Negative V <sub>PSE</sub>



UNLESS OTHERWISE SPECIFIED TOLERANCE TO BE		THIS DOCUMENT IS THE PROPERTY OF AMPHENOL AUSTRALIA PTY. LTD. NO PART THEREOF MAY BE REPRODUCED AND USED WITHOUT THE PRIOR WRITTEN CONSENT OF THE OWNER.			
LINEAR	ANGULAR	MATERIAL:		DRN:	T.N
X ± 0.5	X' ± 1	REFER SPECIFICATION		DATE:	10/02/14
X.X ± 0.1	X.X' ± 30°	DO NOT SCALE		CKD:	P.M
X.X ± 0.05	X.XX' ± 15°	FINISH:		APP'D:	P.M
BREAK ALL SHARP EDGES AND REMOVE ALL BURRS		SCALE: 3:2		DATE:	10/02/14
DIMENSIONS IN MILLIMETRES		THIRD ANGLE PROJECTION		SIZE: A3	

**Amphenol**  
XLRnet CONNECTOR VERTICAL WITHOUT LED & SHIELD

Amphenol Australia Pty.Ltd, 22 Industry Blvd, Carrum Downs VIC 3201 Australia

PART No: REFER TO TABLE OF PART NUMBERS  
DRAWING No. 55010955-000

REV 1  
SHEET 5/7