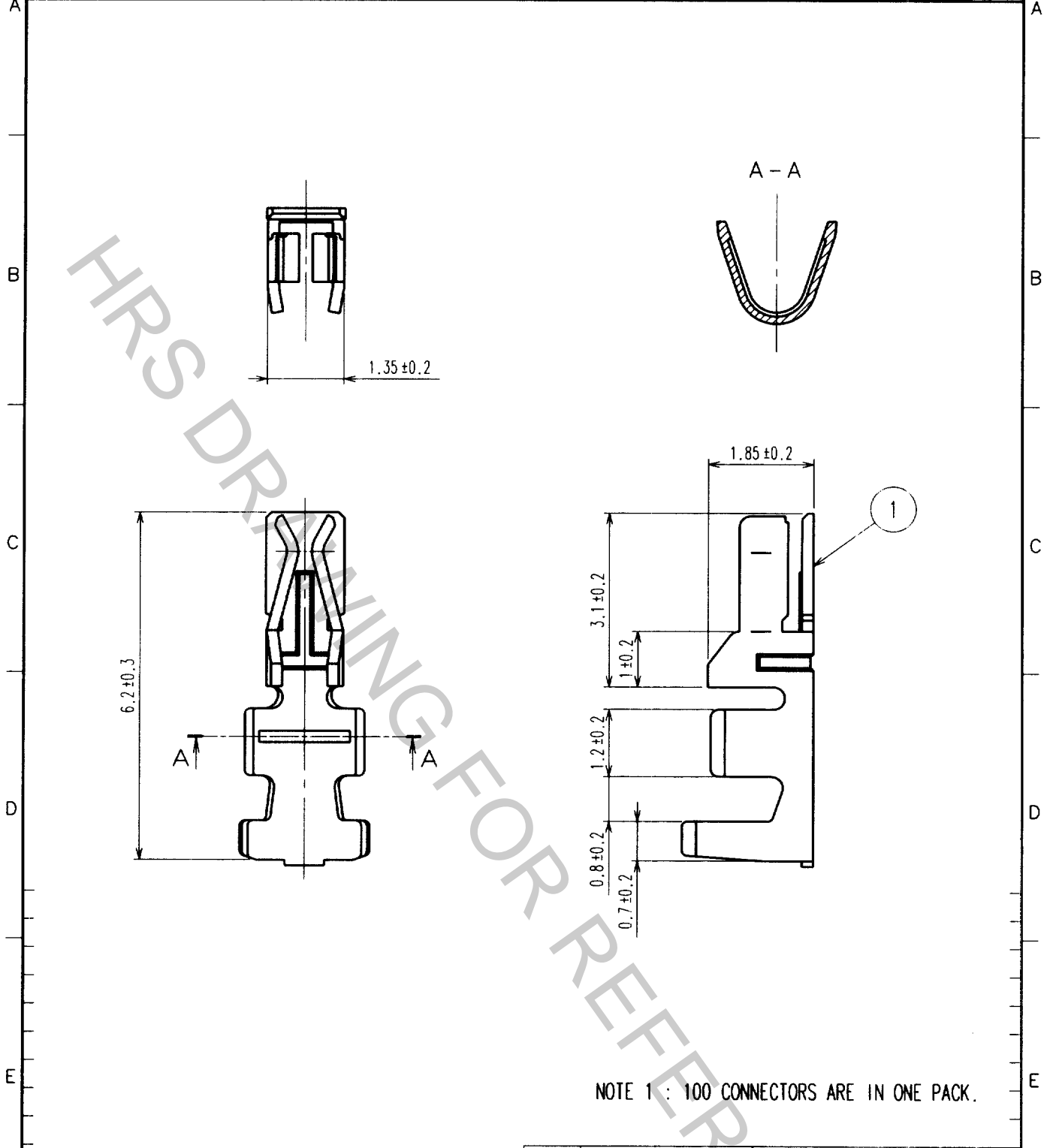


Oct.1.2018 Copyright 2018 HIROSE ELECTRIC CO., LTD. All Rights Reserved.
 In case that the application demands a high level of reliability, such as automotive,
 please contact a company representative for further information.

1		2			3			4		
COUNT	DESCRIPTION OF REVISIONS	BY	CHKD	DATE	COUNT	DESCRIPTION OF REVISIONS	BY	CHKD	DATE	
△					△					
△					△					
△					△					



NOTE 1 : 100 CONNECTORS ARE IN ONE PACK.

NO. 1		MATERIAL PHOSPHOR BRONZE		FINISH, REMARKS TIN PLATED	
CODE NO. (OLD)		DRAWN S.Hara		DESIGNED F. Osai	
		'00. 2.21		'00. 3.24	
				CHECKED C. Minami	
				'00. 3.31	
				APPROVED K. Katayose	
				'00. 4.13	
DRAWING NO. EDC4-081373		PART NO. DF11-22SC			
SACLE 10 : 1		CODE NO. CL543-0602-2		1/1	
UNITS mm		HRS HIROSE ELECTRIC CO., LTD.		FORM NO. 228	

TO