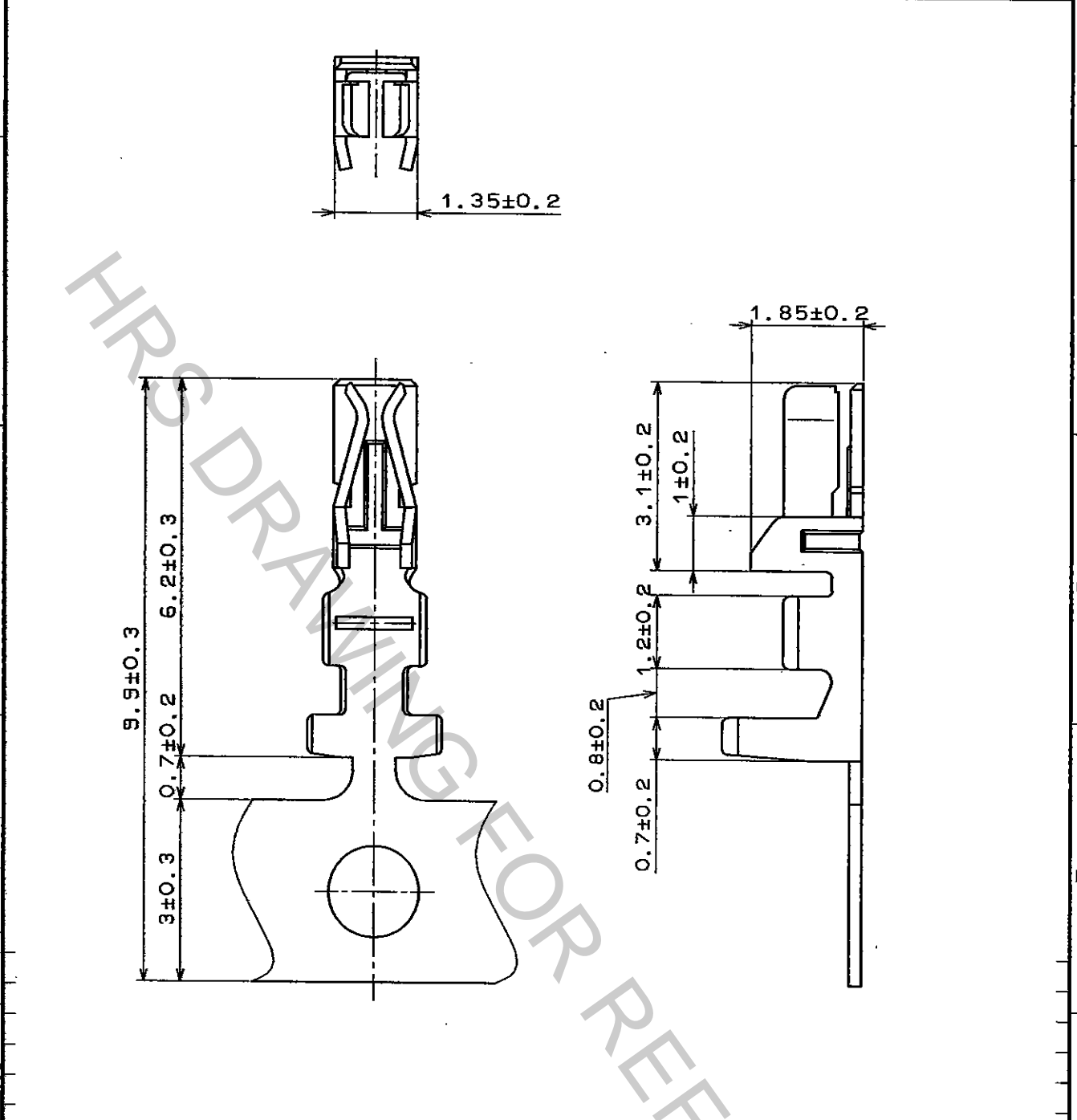


Oct.1.2018 Copyright 2018 HIROSE ELECTRIC CO., LTD. All Rights Reserved.
 In case that the application demands a high level of reliability, such as automotive,
 please contact a company representative for further information.

COUNT	DESCRIPTION OF REVISIONS	BY	CHKD	DATE	COUNT	DESCRIPTION OF REVISIONS	BY	CHKD	DATE
△				..	△				..
△				..	△				..
△				..	△				..



NOTE1. ONE REEL HAS 10000 PIECES OF CONTACTS.

NO.	MATERIAL	FINISH , REMARKS	NO.	MATERIAL	FINISH , REMARKS
			1	PHOSPHOR BRONZE	TIN PLATED

CODE NO. (OLD)	DRAWN	DESIGNED	CHECKED	APPROVED	RELEASED
	J. Miyazaki 95.12.13	J. Miyazaki 95.12.13	J. Ome 95.12.13	H. Yamamoto 95.12.14	

DRAWING NO. EDC4-020864-03	PART NO. DF11-2428SCF
UNITS mm	CODE NO. CL543-0500-2

TO