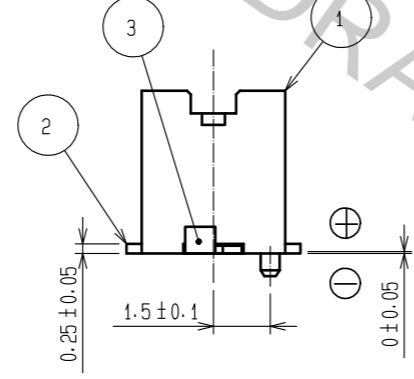
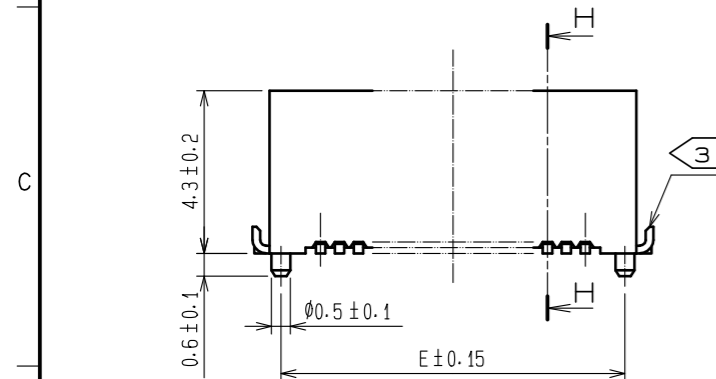
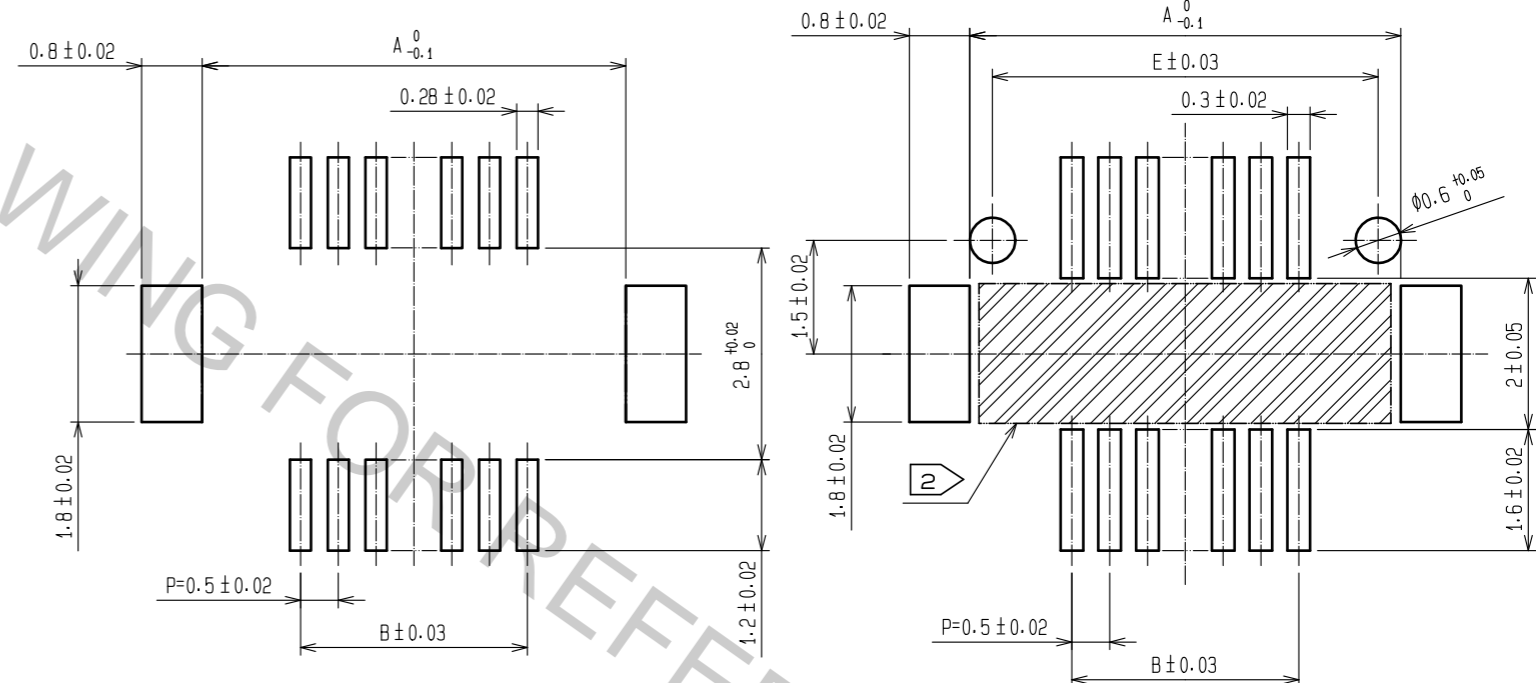


CODE No.	CONTACT	A	B	C	D	E	F	G
CL537-0153-9-86	20	7.2	4.5	5.3	5.7	6.6	5.3	8.1
CL537-0155-4-86	30	9.7	7.0	7.8	8.2	9.1	7.8	10.6
CL537-0156-7-86	36	11.2	8.5	9.3	9.7	10.6	9.3	12.1
CL537-0157-0-86	40	12.2	9.5	10.3	10.7	11.6	10.3	13.1
CL537-0159-5-86	50	14.7	12.0	12.8	13.2	14.1	12.8	15.6
CL537-0161-7-86	60	17.2	14.5	15.3	15.7	16.6	15.3	18.1

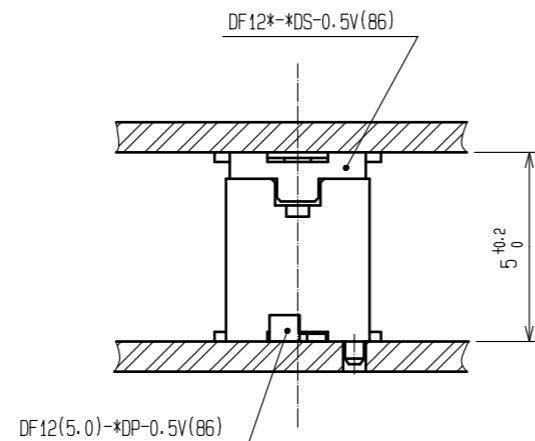
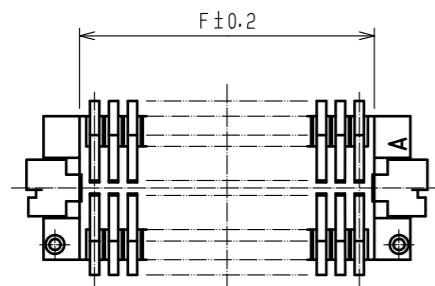


RECOMMEND METAL MASK PATTERN (10:1)

RECOMMENDED PATTERN (10:1)



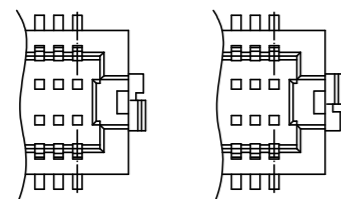
RECOMMENDED THICKNESS OF SOLDER PASTE : 120 μm



NOTES 1 : LEAD CO-PLANARITY INCLUDING REINFORCED METAL FITTINGS SHALL BE 0.08 mm MAX.

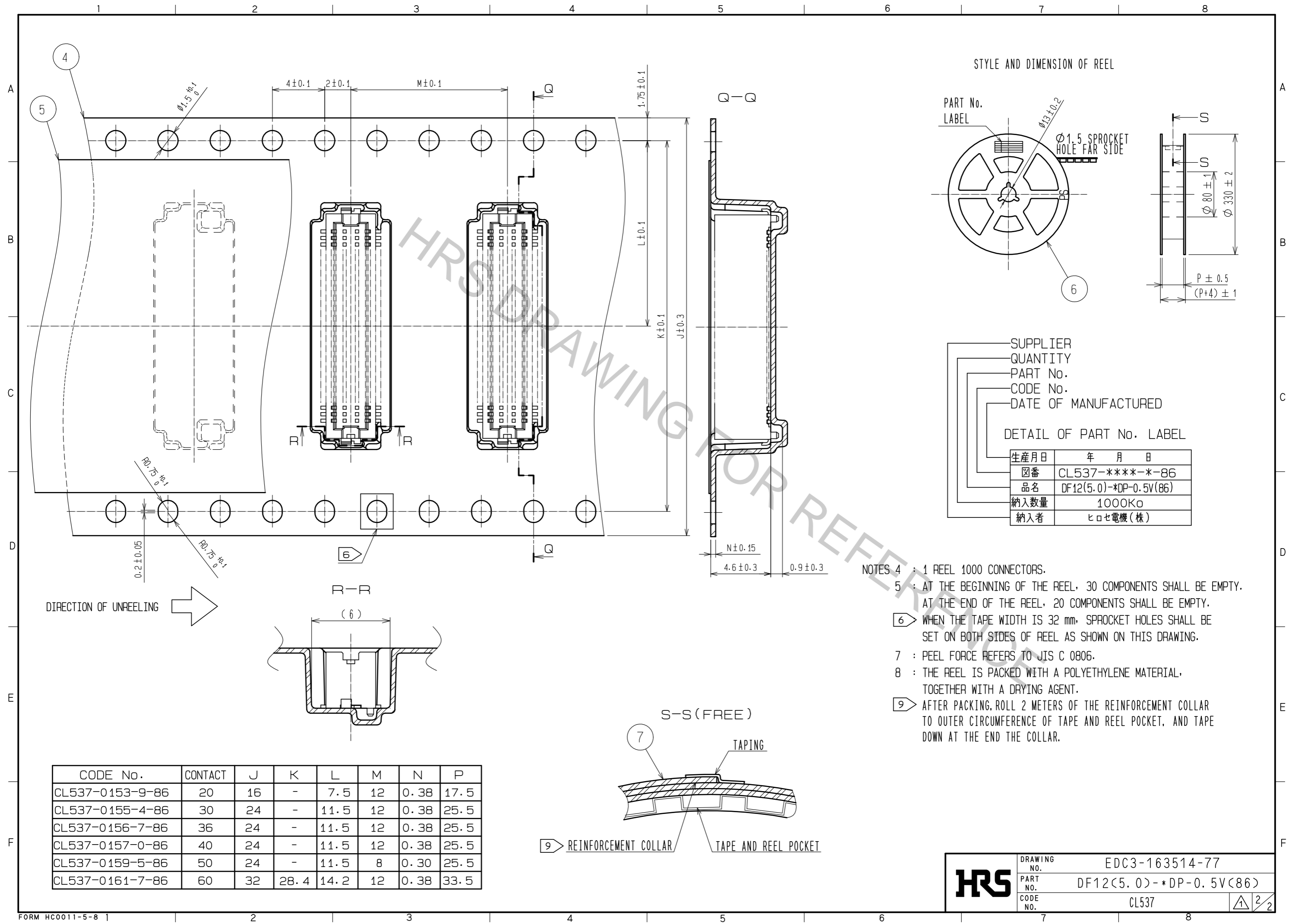
② : IF THERE IS PATTERN ON PART, THERE IS A POSSIBILITY THAT IT WILL MAKE CONTACT WITH THE LEADS.

③ : REINFORCED METAL FITTINGS AS FOLLOWS.

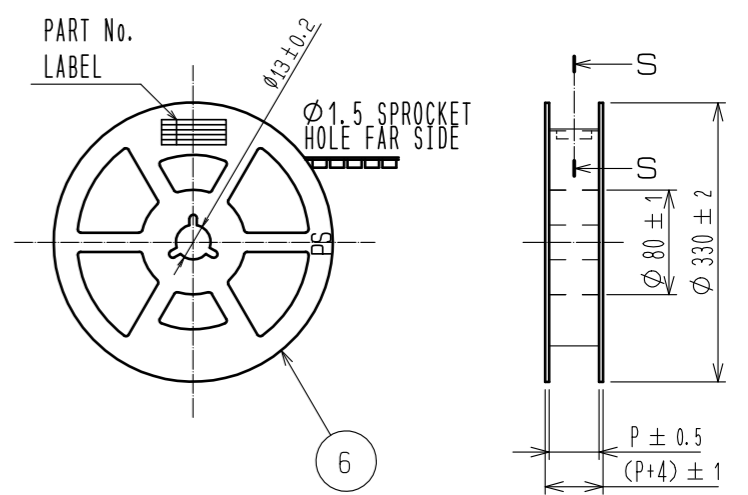


2	PHOSPHOR BRONZE	CONTACT AREA:GOLD PLATED 0.2μm min LEAD AREA:GOLD PLATED 0.015μm OTHERS(UNDER PLATING):NICKEL PLATED 2μm min	7	PS	CLEAR (REINFORCEMENT COLLAR)
1	POLYAMIDE	UL94V-0·NATURAL (BEIGE)	6	PS	BLACK (PLASTIC REEL)
			5	POLYESTER	CLEAR (COVER TAPE)
			4	PS	CLEAR (EMBOSSED CARRIER TAPE)
			3	BRASS	TIN PLATED 2μm min (UNDER PLATING):NICKEL 1μm min
NO.	MATERIAL	FINISH . REMARKS	NO.	MATERIAL	FINISH . REMARKS
UNITS mm		SCALE 5 : 1	COUNT 1	DESCRIPTION OF REVISIONS DIS-H-00001707	
APPROVED : KH. IKEDA 12.01.11			DESIGNED SH. HOSODA		
CHECKED : TS. MIYAZAKI 12.01.10			CHECKED TS. MIYAZAKI		
DESIGNED : YH. MICHIDA 12.01.10			DATE 16.06.10		
DRAWN : YH. MICHIDA 12.01.10			DRAWING NO. EDC3-163514-77		
PART NO. DF12(5.0)- *DP-0.5V(86)			CODE NO. CL537		

Oct.1.2018 Copyright 2018 HIROSE ELECTRIC CO., LTD. All Rights Reserved.  
 In case that the application demands a high level of reliability, such as automotive,  
 please contact a company representative for further information.



STYLE AND DIMENSION OF REEL



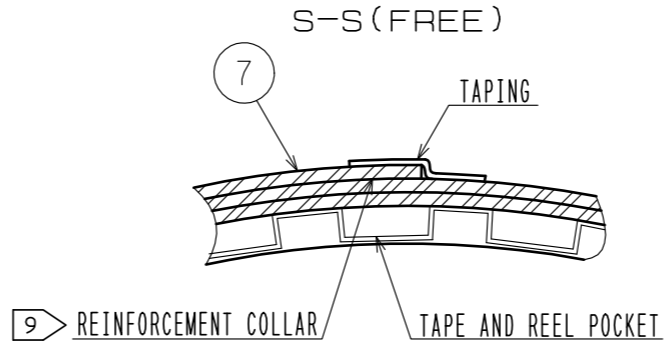
SUPPLIER  
 QUANTITY  
 PART No.  
 CODE No.  
 DATE OF MANUFACTURED

DETAIL OF PART No. LABEL

生産月日	年 月 日
図番	CL537-****-*-86
品名	DF12(5.0)-*DP-0.5V(86)
納入数量	1000K $\alpha$
納入者	ヒロセ電機(株)

- NOTES 4 : 1 REEL 1000 CONNECTORS.  
 5 : AT THE BEGINNING OF THE REEL, 30 COMPONENTS SHALL BE EMPTY.  
 AT THE END OF THE REEL, 20 COMPONENTS SHALL BE EMPTY.  
 6 WHEN THE TAPE WIDTH IS 32 mm, SPROCKET HOLES SHALL BE SET ON BOTH SIDES OF REEL AS SHOWN ON THIS DRAWING.  
 7 : PEEL FORCE REFERS TO JIS C 0806.  
 8 : THE REEL IS PACKED WITH A POLYETHYLENE MATERIAL, TOGETHER WITH A DRYING AGENT.  
 9 AFTER PACKING, ROLL 2 METERS OF THE REINFORCEMENT COLLAR TO OUTER CIRCUMFERENCE OF TAPE AND REEL POCKET, AND TAPE DOWN AT THE END THE COLLAR.

CODE No.	CONTACT	J	K	L	M	N	P
CL537-0153-9-86	20	16	-	7.5	12	0.38	17.5
CL537-0155-4-86	30	24	-	11.5	12	0.38	25.5
CL537-0156-7-86	36	24	-	11.5	12	0.38	25.5
CL537-0157-0-86	40	24	-	11.5	12	0.38	25.5
CL537-0159-5-86	50	24	-	11.5	8	0.30	25.5
CL537-0161-7-86	60	32	28.4	14.2	12	0.38	33.5



**HRS**

DRAWING NO.	EDC3-163514-77
PART NO.	DF12(5.0)-*DP-0.5V(86)
CODE NO.	CL537

2/2