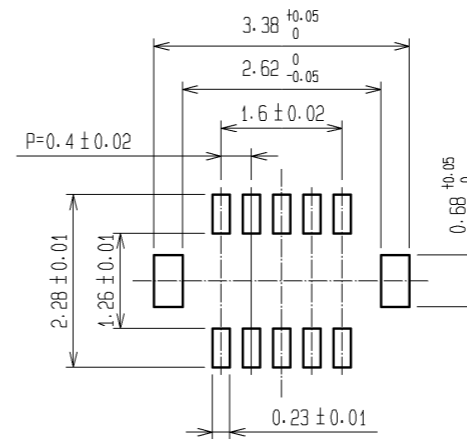
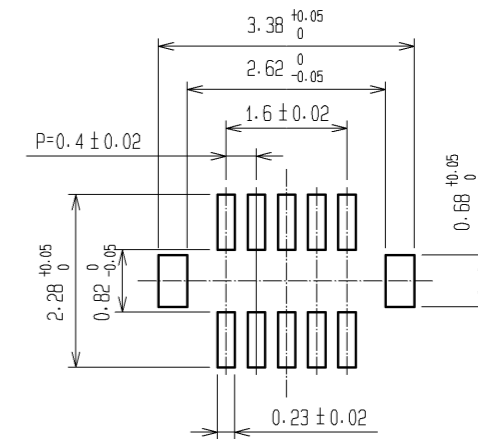


RECOMMENDED METAL MASK
OPENING PATTERN

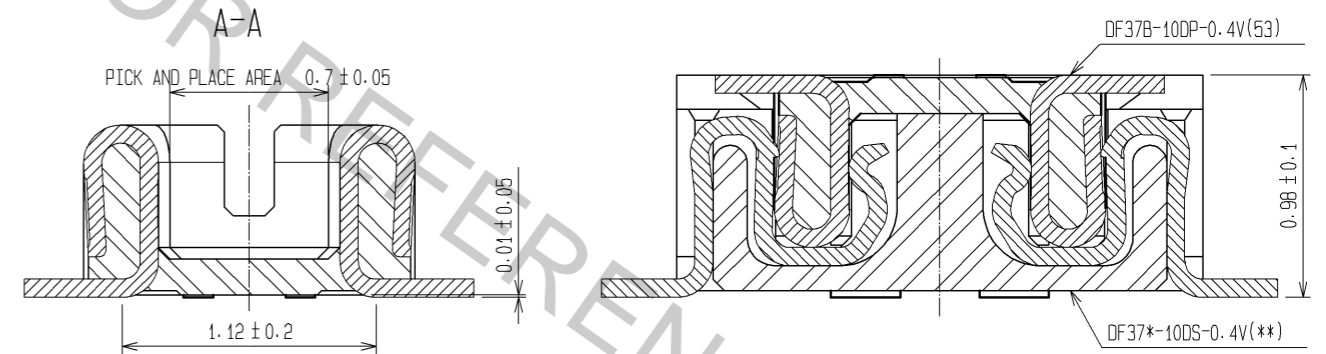


RECOMMENDED PATTERN



RECOMMENDED SOLDER PASTE THICKNESS: 120#m

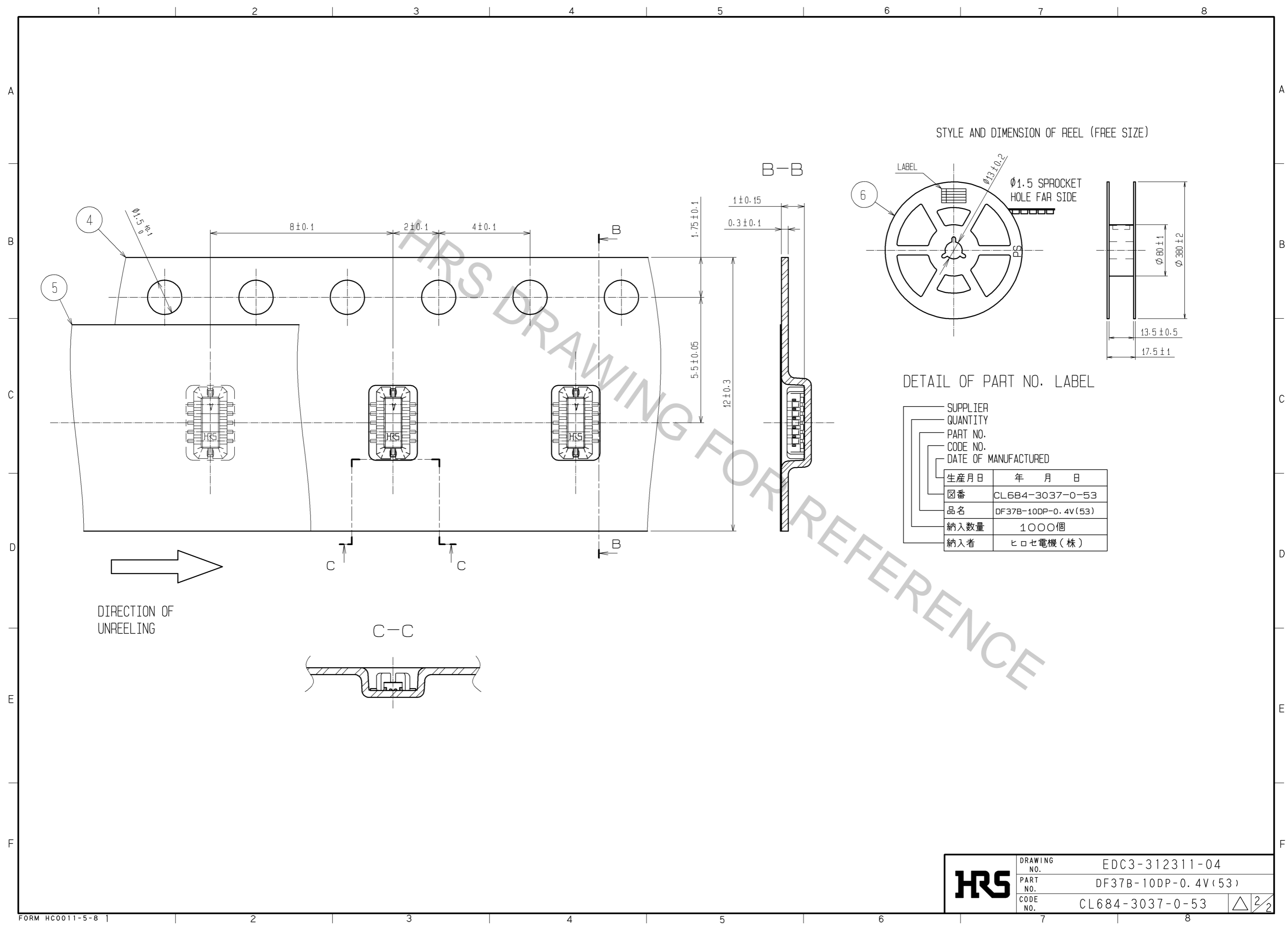
ENGAGEMENT FIGURE



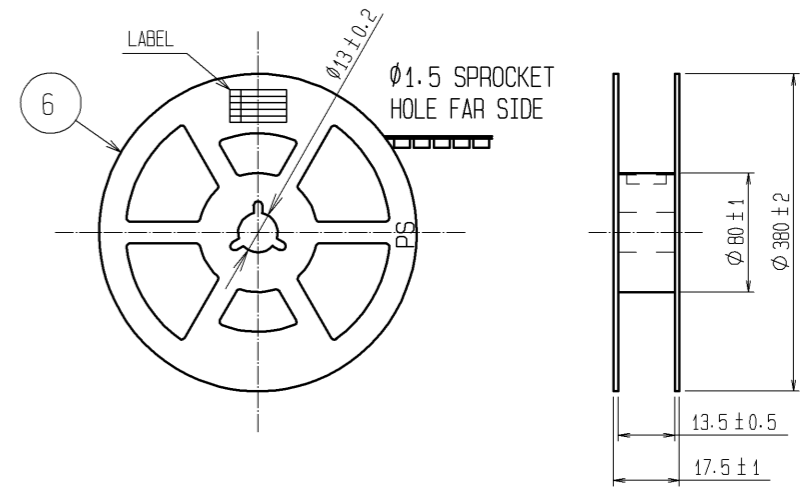
- NOTE 1. ALL LEADS CO-PLANARITY SHALL BE 0.1 MAX.
 2. PER REEL : 1000 CONNECTORS.
 3. AT THE BEGINNING OF THE REEL, 100 mm AT MIN SHALL BE EMPTY POCKETS.
 AT THE END OF THE REEL, 160 mm AT MIN SHALL BE EMPTY.
 4. CONTACT PLATING SPECIFICATIONS.
 CONTACT AREA : GOLD 0.05#m MIN.
 SMT LEAD : GOLD 0.05#m MIN.
 UNDERPLATING : NICKEL 1#m MIN.
 (SURFACE : SEALING)
 5. METAL HOLD DOWN PLATING SPECIFICATIONS.
 MOUNTING AREA: GOLD 0.05#m MIN.
 UNDERPLATING : NICKEL 1#m MIN.
 6. PEEL FORCE OF COVER TAPE REFERS TO JIS C 0806.

3	PHOSPHOR BRONZE	5	6	PS	PLASTIC REEL (BLACK)
2	PHOSPHOR BRONZE	4	5	POLYESTER	CLEAR(COVER TAPE)
1	LCP	UL94V-0, BLACK	4	PS	CLEAR(EMBOSSED CARRIER TAPE)
NO.	MATERIAL	FINISH, REMARKS	NO.	MATERIAL	FINISH, REMARKS
UNITS	mm	SCALE	FREE	COUNT	DESCRIPTION OF REVISIONS
APPROVED	: KH. IKEDA	09.01.07	DRAWING	NO. EDC3-312311-04	
CHECED	: TS. MIYAZAKI	09.01.07	PART	NO. DF37B-10DP-0.4V(53)	
DESIGNED	: RT. SHIMIZU	09.01.07	CODE	NO. CL684-3037-0-53	
DRAWN	: AK. AOYAGI	09.01.06			

Oct.1.2018 Copyright 2018 HIROSE ELECTRIC CO., LTD. All Rights Reserved.
 In case that the application demands a high level of reliability, such as automotive,
 please contact a company representative for further information.



STYLE AND DIMENSION OF REEL (FREE SIZE)



DETAIL OF PART NO. LABEL

—	SUPPLIER	
—	QUANTITY	
—	PART NO.	
—	CODE NO.	
—	DATE OF MANUFACTURED	
生産月日	年 月 日	
☑番	CL684-3037-0-53	
品名	DF37B-10DP-0.4V(53)	
納入数量	1000個	
納入者	ヒロセ電機(株)	

DIRECTION OF UNREELING

HRS	DRAWING NO.	EDC3-312311-04
	PART NO.	DF37B-10DP-0.4V(53)
	CODE NO.	CL684-3037-0-53
		△ 2/2