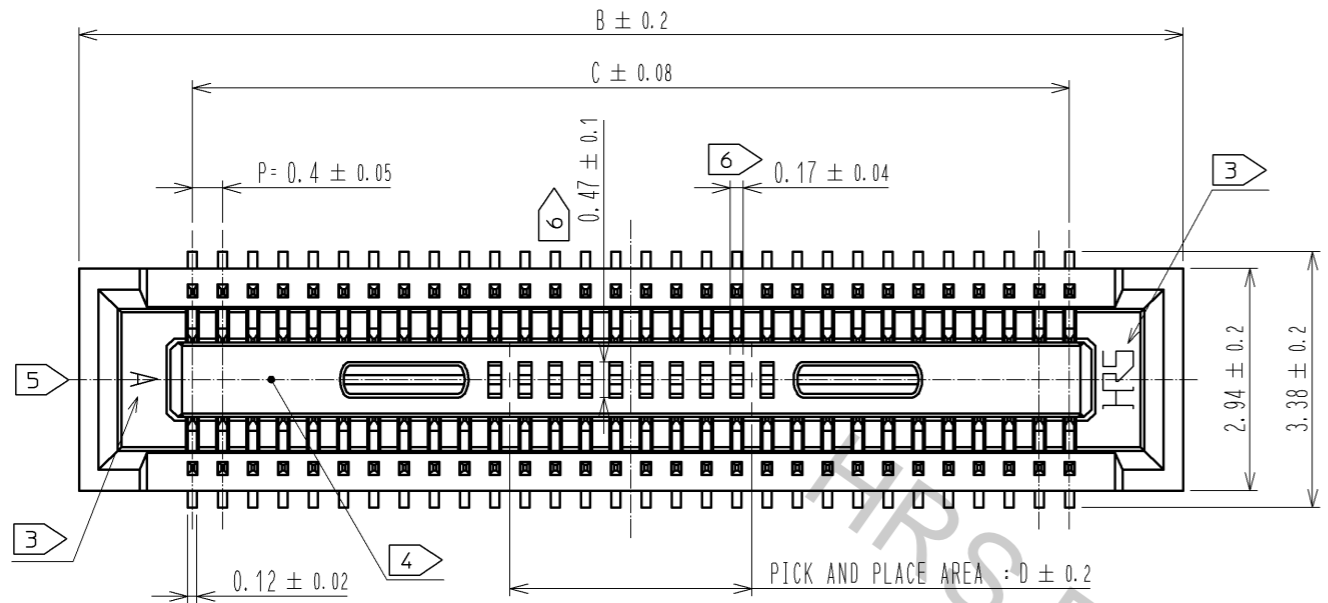
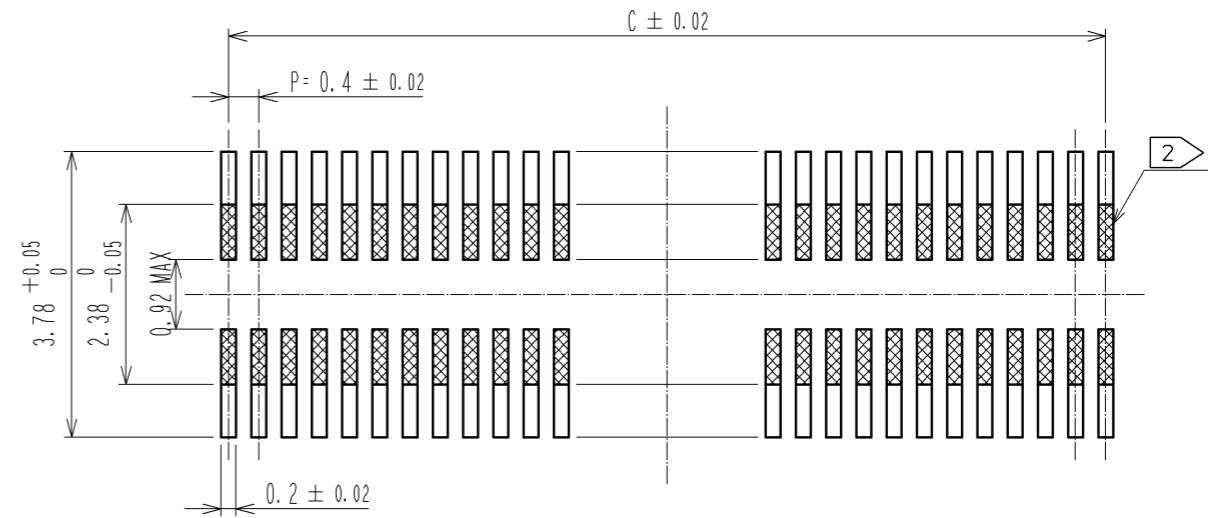


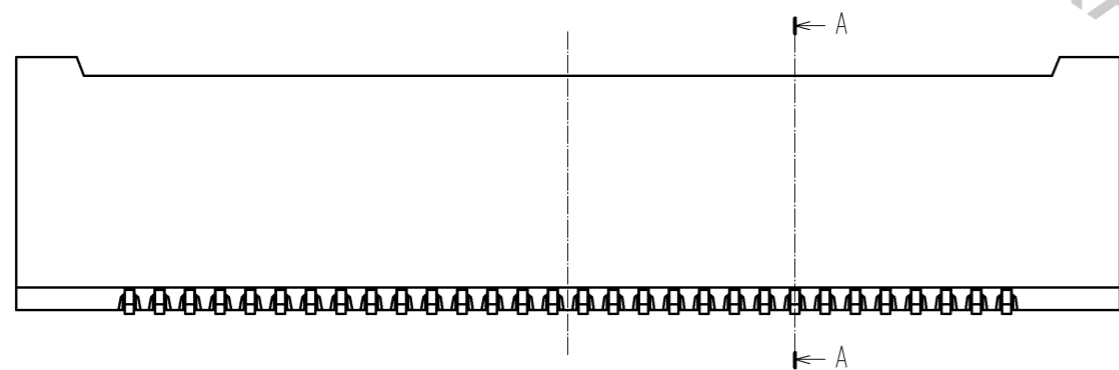
Oct.1.2018 Copyright 2018 HIROSE ELECTRIC CO., LTD. All Rights Reserved.
 In case that the application demands a high level of reliability, such as automotive,
 please contact a company representative for further information.



RECOMMENDED PATTERN

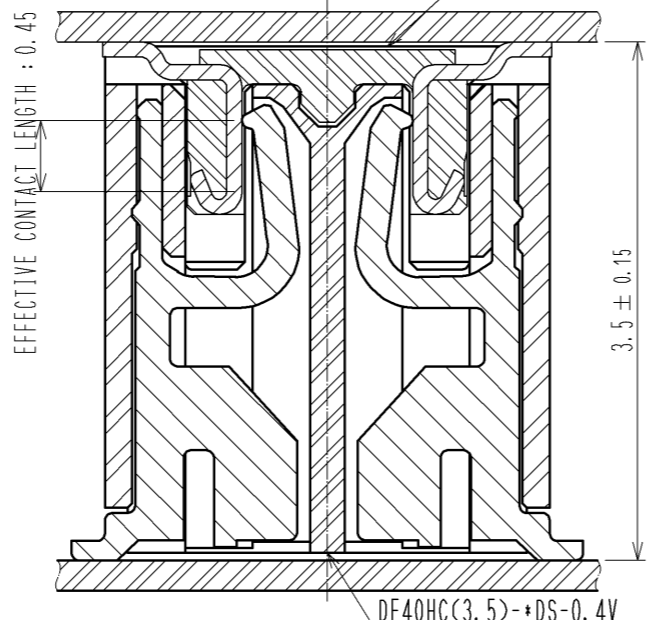
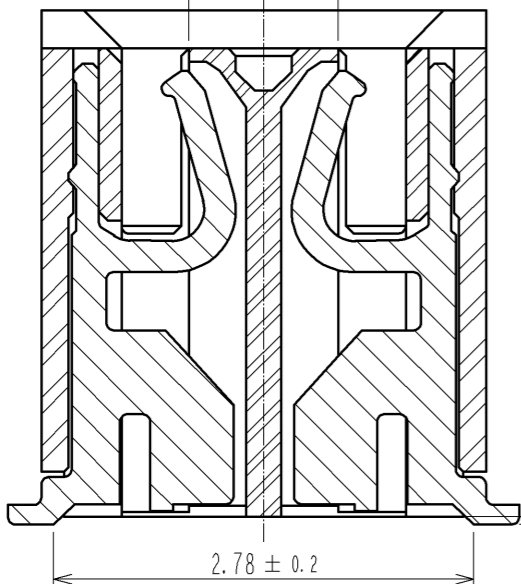


RECOMMENDED METAL MASK THICKNESS : 120 μm
 RECOMMENDED METAL MASK OPENING RATIO : 80% FOR LEAD PAD



ENGAGEMENT FIGURE (20:1)

PICK AND PLACE AREA : 0.99 ± 0.1



- NOTES)
1. ALL LEADS CO-PLANARITY SHALL BE 0.1 MAX.
 2. IS NO PATTERN AREA OTHER THAN THE SAME CIRCUIT.
 3. HRS MARK AND CAV NO. ARE INDICATED IN APPROXIMAL POSITION SHOWN.
 4. GATE POSITION OF 60 TO 100 POSITIONS IS POSITIONED IN PPROXIMAL AREA SHOWN.
 5. GATE POSITION OF 10 TO 50 POSITIONS IS POSITIONED IN APPROXIMAL AREA SHOWN.
A PART OF THE WALL COULD BE NOTCHED FOR SETTING GATE.
 6. 60 TO 100 POSITIONS HAVE CONCAVE PORTION.

PART NO.	CODE NO.	B	C	D
DF40HC(3.5)-20DS-0.4V(51)	CL684-4188-0-51	6.6	3.6	1.0
DF40HC(3.5)-24DS-0.4V(51)	—	7.4	4.4	1.2
DF40HC(3.5)-30DS-0.4V(51)	CL684-4136-7-51	8.6	5.6	1.5
DF40HC(3.5)-40DS-0.4V(51)	CL684-4209-9-51	10.6	7.6	3.2
DF40HC(3.5)-44DS-0.4V(51)	—	11.4	8.4	3.2
DF40HC(3.5)-50DS-0.4V(51)	CL684-4109-4-51	12.6	9.6	3.2
DF40HC(3.5)-60DS-0.4V(51)	CL684-4102-5-51	14.6	11.6	3.2
DF40HC(3.5)-70DS-0.4V(51)	—	16.6	13.6	3.2
DF40HC(3.5)-80DS-0.4V(51)	CL684-4162-7-51	18.6	15.6	3.2
DF40HC(3.5)-90DS-0.4V(51)	—	20.6	17.6	3.2
DF40HC(3.5)-100DS-0.4V(51)	—	22.6	19.6	3.2

NO.	MATERIAL	FINISH . REMARKS	NO.	MATERIAL	FINISH . REMARKS
2	PHOSPHOR BRONZE	CONTACT AREA:GOLD 0.05 μm MIN SMT LEAD:GOLD 0.05 μm MIN UNDERPLATING:NICKEL 1 μm MIN	6	PS	CLEAR, REINFORCEMENT COLLAR
			5	PS	BLACK, PLASTIC REEL
			4	POLYESTER	CLEAR, COVER TAPE
1	LCP	BLACK, UL94V-0	3	PS	CLEAR, EMBOSSED CARRIER TAPE

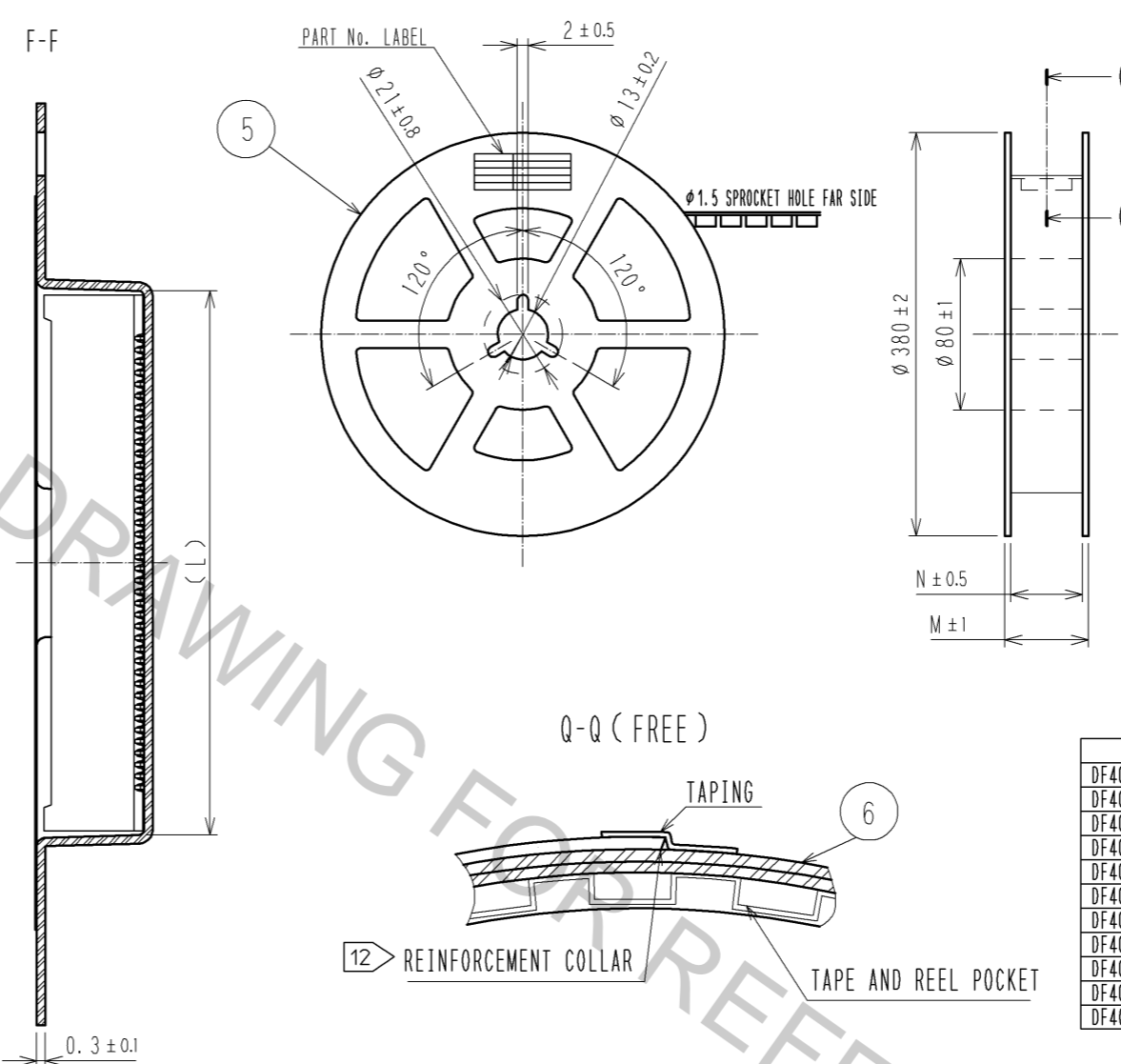
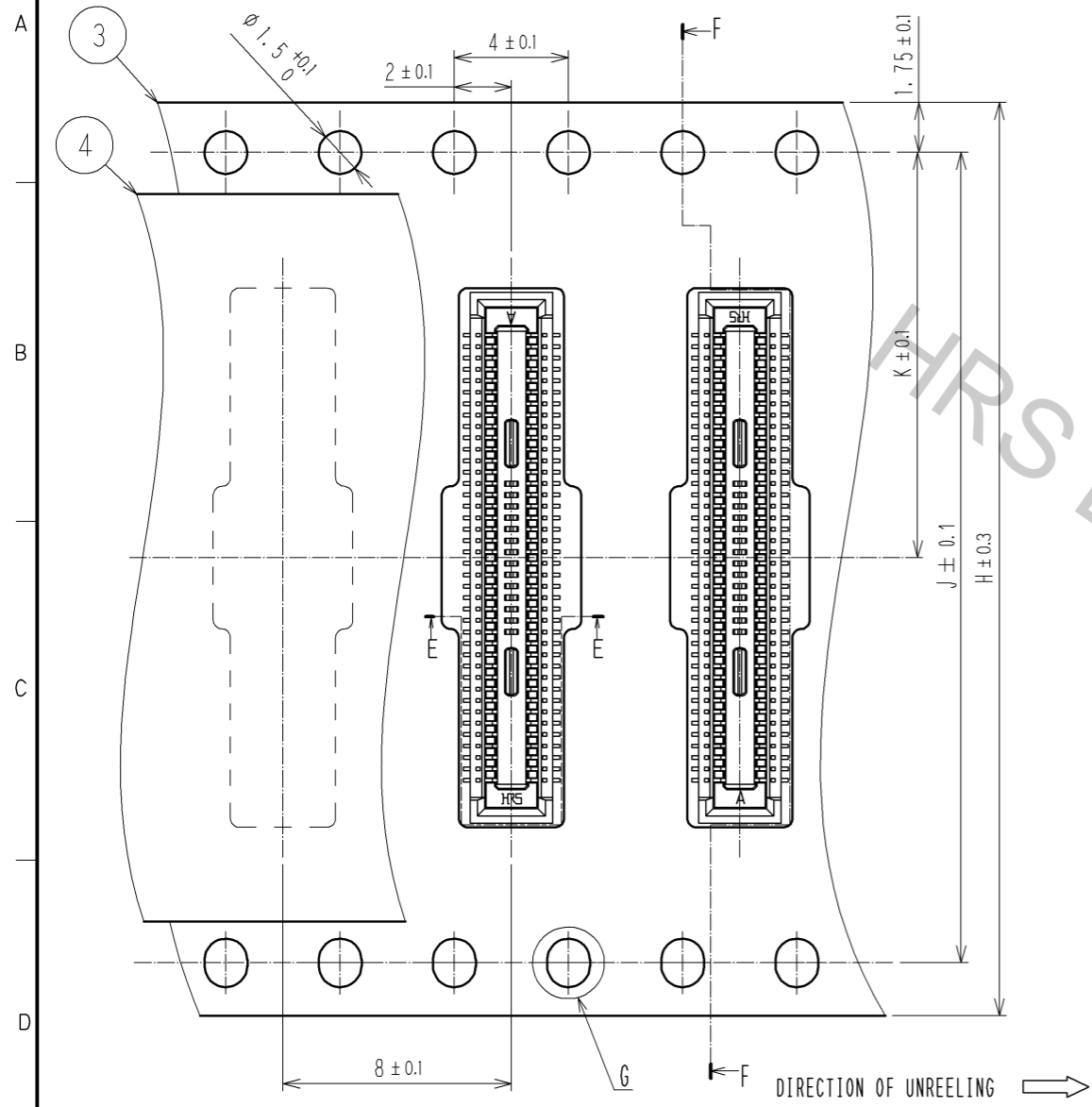
UNITS	SCALE	COUNT	DESCRIPTION OF REVISIONS	DESIGNED	CHECKED	DATE
mm	10:1	3	DIS-H-008330	KR. AJITO	TS. MIYAZAKI	13.11.26

APPROVED	DATE	DRAWING NO.
KH. IKEDA	10.07.13	EDC3-318048-01
CHECED	DATE	PART NO.
AR. TAKAHASHI	10.07.13	DF40HC(3.5)-*DS-0.4V(51)
DESIGNED	DATE	CODE NO.
TK. SUZUKI	10.07.12	CL684
DRAWN	DATE	
TK. SUZUKI	10.07.12	

Oct.1.2018 Copyright 2018 HIROSE ELECTRIC CO., LTD. All Rights Reserved.
 In case that the application demands a high level of reliability, such as automotive,
 please contact a company representative for further information.

EMBOSSED CARRIER TAPE (FREE)

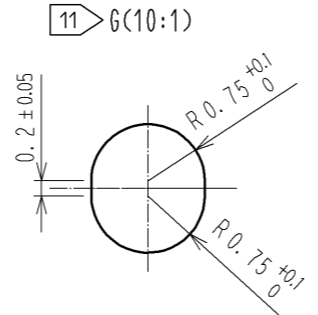
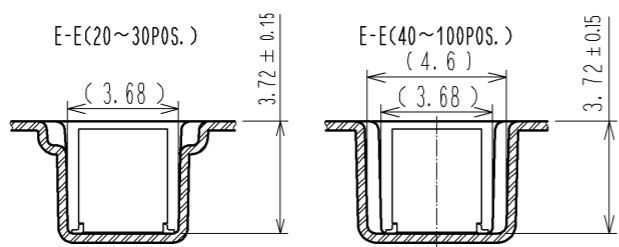
STYLE AND DIMENSION OF REEL (FREE SIZE)



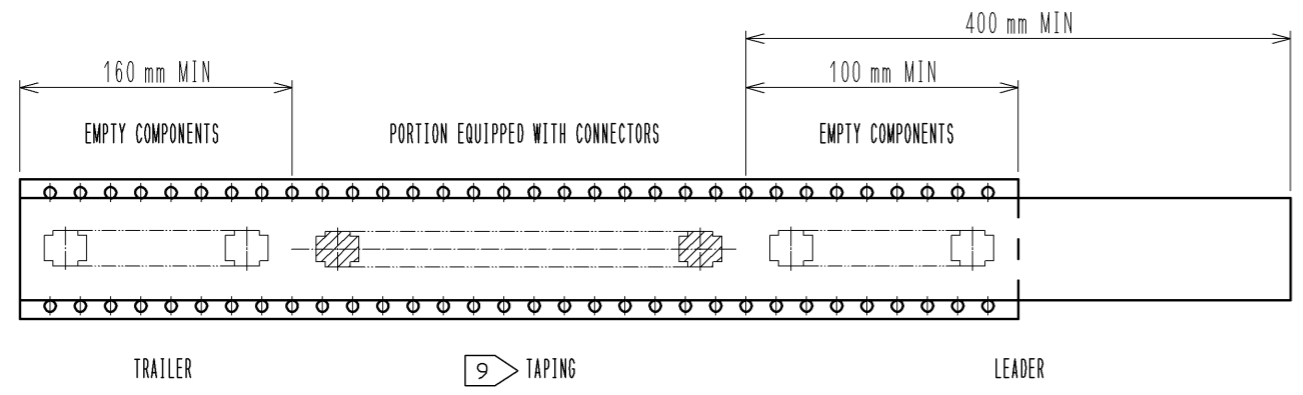
10 DETAIL OF PART No. LABEL

製造年月日	** ** *
製品コード	CL684-****-51
製品名	DF40HC(3.5)-*DS-0.4V(51)
数量	2000
納入者	ヒロセ電機(株)

製品名	H	J	K	L	M	N
DF40HC(3.5)-20DS-0.4V(51)	16	—	7.5	6.9	21.5	17.5
DF40HC(3.5)-24DS-0.4V(51)	16	—	7.5	7.7	21.5	17.5
DF40HC(3.5)-30DS-0.4V(51)	24	—	11.5	8.9	29.5	25.5
DF40HC(3.5)-40DS-0.4V(51)	24	—	11.5	10.9	29.5	25.5
DF40HC(3.5)-44DS-0.4V(51)	24	—	11.5	11.7	29.5	25.5
DF40HC(3.5)-50DS-0.4V(51)	24	—	11.5	12.9	29.5	25.5
DF40HC(3.5)-60DS-0.4V(51)	24	—	11.5	14.9	29.5	25.5
DF40HC(3.5)-70DS-0.4V(51)	32	28.4	14.2	16.9	37.5	33.5
DF40HC(3.5)-80DS-0.4V(51)	32	28.4	14.2	18.9	37.5	33.5
DF40HC(3.5)-90DS-0.4V(51)	44	40.4	20.2	20.9	49.5	45.5
DF40HC(3.5)-100DS-0.4V(51)	44	40.4	20.2	22.9	49.5	45.5



- NOTES
- PER REEL 2000 CONNECTORS.
 - THE DIMENSIONS IN PARENTHESES ARE FOR REFERENCE.
 - REFER TO JIS C 0806(IEC 60286-3)(PACKING OF COMPONENTS FOR AUTOMATIC HANDLING)
 - DETAIL OF PART NO. LABEL IS WRITTEN IN JAPANESE. PART NO. LABEL DESCRIBES THE FOLLOWING INFORMATION FROM TOP.
 PRODUCTION DATE:
 PRODUCT CODE: CL684-****-51
 PART NUMBER: DF40HC(3.5)-*DS-0.4V(51)
 NUMBER OF PIECES: 2000 PIECES
 SUPPLIER NAME: HIROSE ELECTRIC CO., LTD.
 - 20 TO 60 POSITIONS EMBOSSED CARRIER TAPE HAS THE SPROCKET HOLE ON ONE SIDES.
 - AFTER PACKAGING, ROLL 2 METERS OF THE REINFORCEMENT COLLAR TO OUTER CIRCUMFERENCE OF TAPE AND REEL POCKET, AND TAPE DOWN AT THE END THE COLLAR.



HRS	DRAWING NO.	EDC3-318048-01
	PART NO.	DF40HC(3.5)-*DS-0.4V(51)
	CODE NO.	CL684