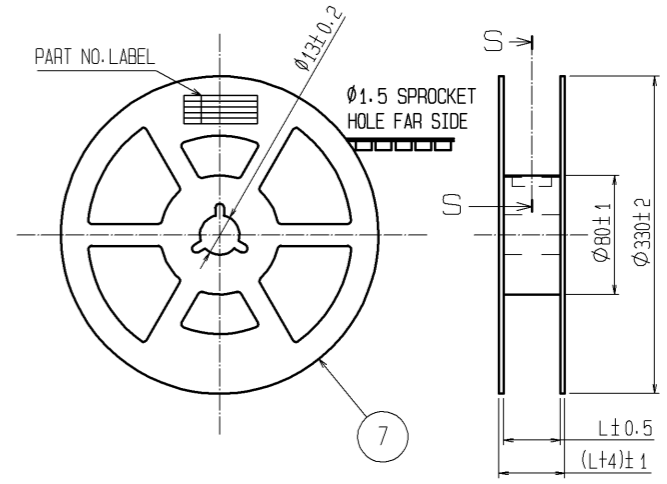
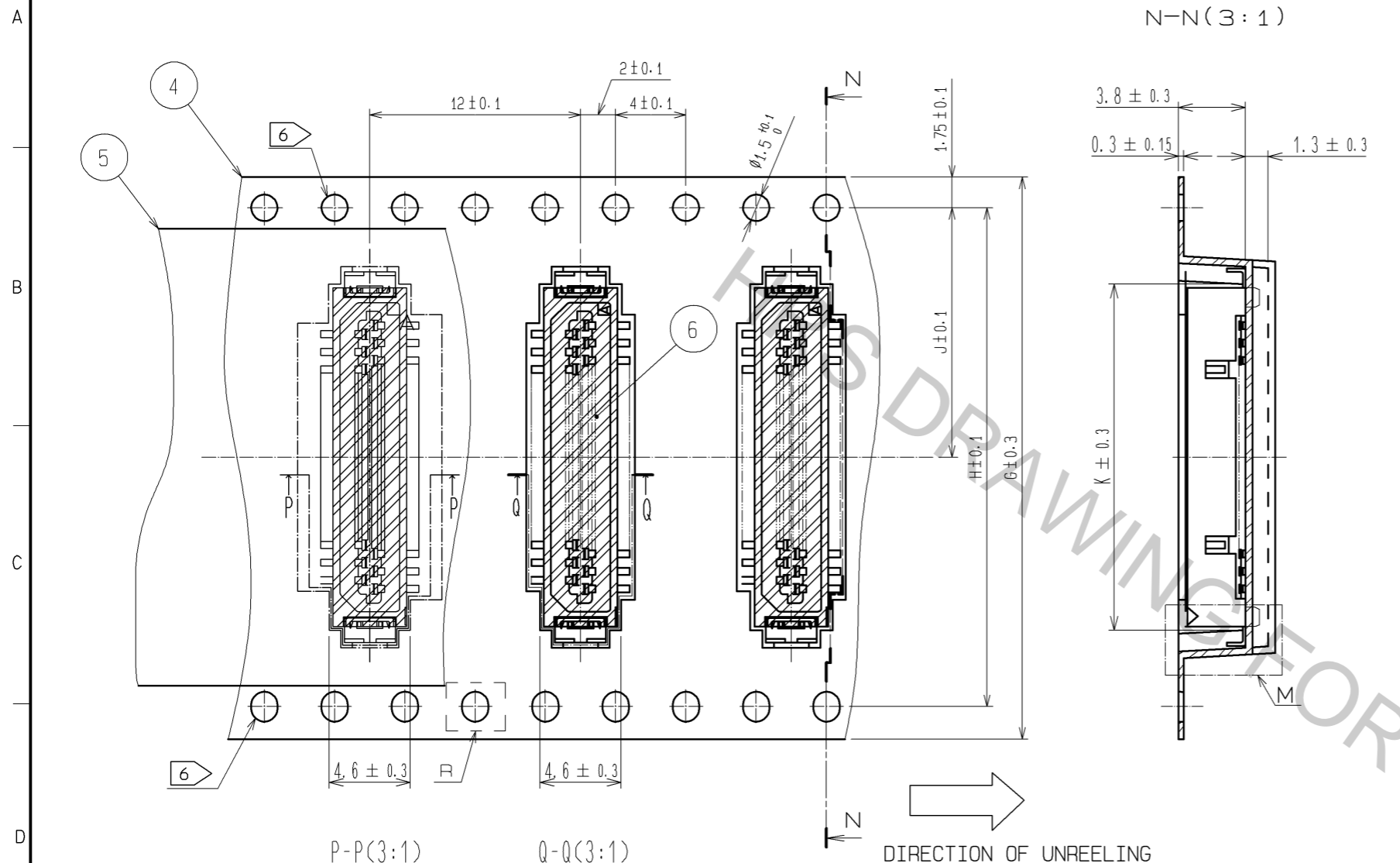
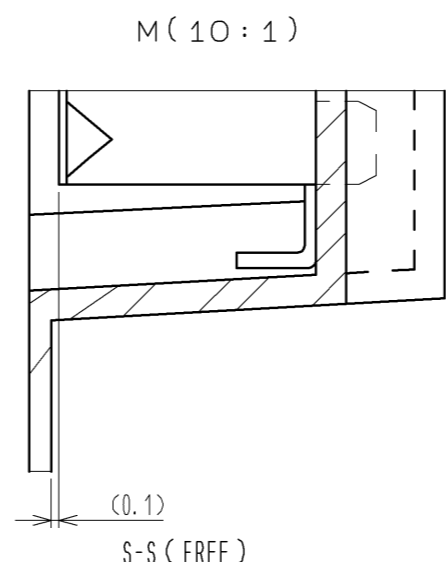
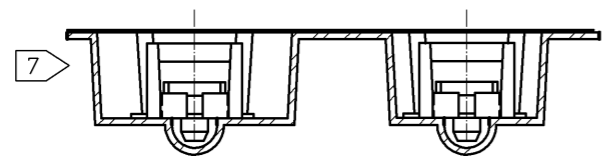


STYLE AND DIMENSION OF REEL (FREE)



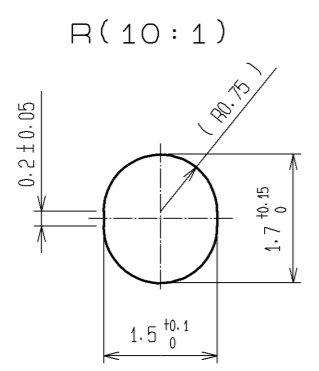
PART No.	CODE No.	NUMBER OF CONTACTS	G	H	J	K	L
DF9- 9P-1V(32)	CL540-0066-9-32	9	24	-	11.5	8.7	25.5
DF9-11P-1V(32)	CL540-0067-1-32	11	24	-	11.5	9.7	25.5
DF9-13P-1V(32)	CL540-0068-4-32	13	24	-	11.5	10.7	25.5
DF9-15P-1V(32)	CL540-0069-7-32	15	24	-	11.5	11.7	25.5
DF9-17P-1V(32)	CL540-0070-6-32	17	24	-	11.5	12.7	25.5
DF9-19P-1V(32)	CL540-0071-9-32	19	24	-	11.5	13.7	25.5
DF9-21P-1V(32)	CL540-0072-1-32	21	24	-	11.5	14.7	25.5
DF9-23P-1V(32)	CL540-0073-4-32	23	32	28.4	14.2	15.7	33.5
DF9-25P-1V(32)	CL540-0074-7-32	25	32	28.4	14.2	16.7	33.5
DF9-31P-1V(32)	CL540-0075-0-32	31	32	28.4	14.2	19.7	33.5
DF9-41P-1V(32)	CL540-0214-4-32	41	44	40.4	20.2	24.7	45.5

DIRECTION OF UNREELING



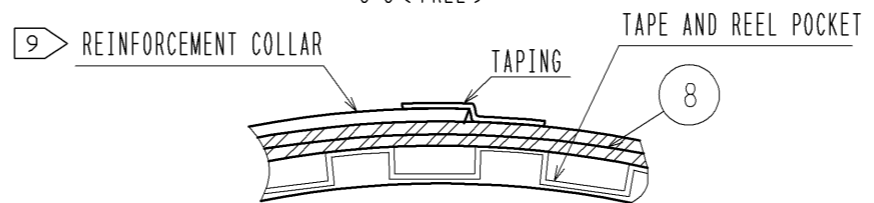
- NOTES
- 4 : 1 REEL 1000 CONNECTORS.
 - 5 : AT THE BEGINNING OF THE REEL, 30 COMPONENTS SHALL BE EMPTY. AT THE END OF THE REEL, 20 COMPONENTS SHALL BE EMPTY.
 - 6 LET THE SENDING HOLE OF 9 TO 21 CONTACTS BE ONLY THE UPPER ONE SIDE TOWARD A DRAWING. THE SENDING HOLE OF 23 OR MORE CONTACTS IS ESTABLISHED IN BOTH SIDES, AS SHOWN IN A FIGURE.
 - 7 A POCKET SHAPE IS DIFFERET AT INTERVALS OF EACH CAVITY NUMBER TO AVOID OVERLAP.
 - 8 : PEEL FORCE REFERS TO JIS C 0806.
 - 9 AFTER PACKING, ROLL 2 METERS OF THE REINFORCEMENT COLLAR TO OUTER CIRCUMFERENCE OF TAPE AND REEL POCKET, AND TAPE DOWN AT THE END THE COLLAR.

DETAIL OF PART NO. LABEL



- SUPPLIER
- QUANTITY
- PART NO.
- CODE NO.
- DATE OF MANUFACTURED

生産月日	年 月 日
図番	CL540-****-**-32
品名	DF9-*P-1V(32)
納入数量	1000K0
納入者	ヒロセ電機(株)



HRS	DRAWING NO.	EDC3-341298-01
	PART NO.	DF9-*P-1V(32)
	CODE NO.	CL540-