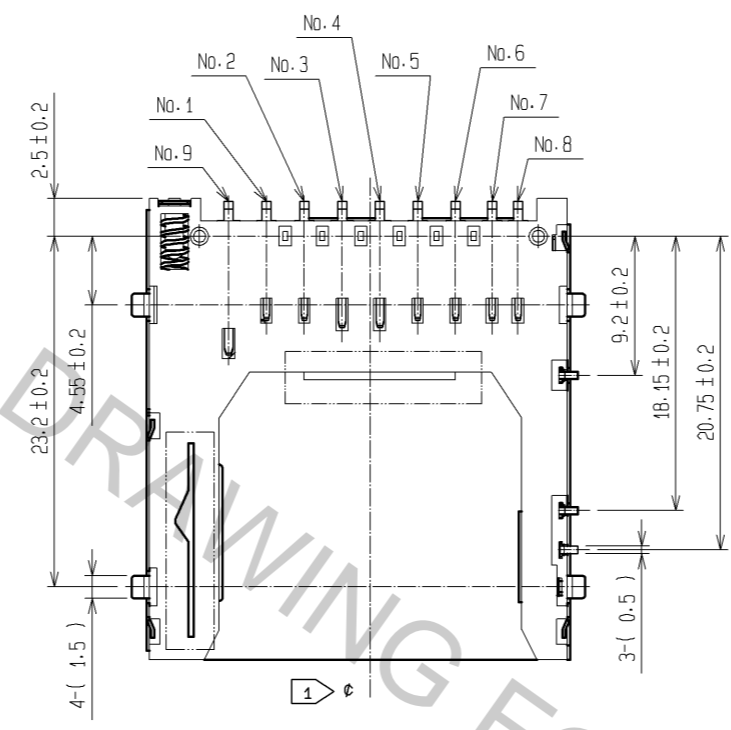
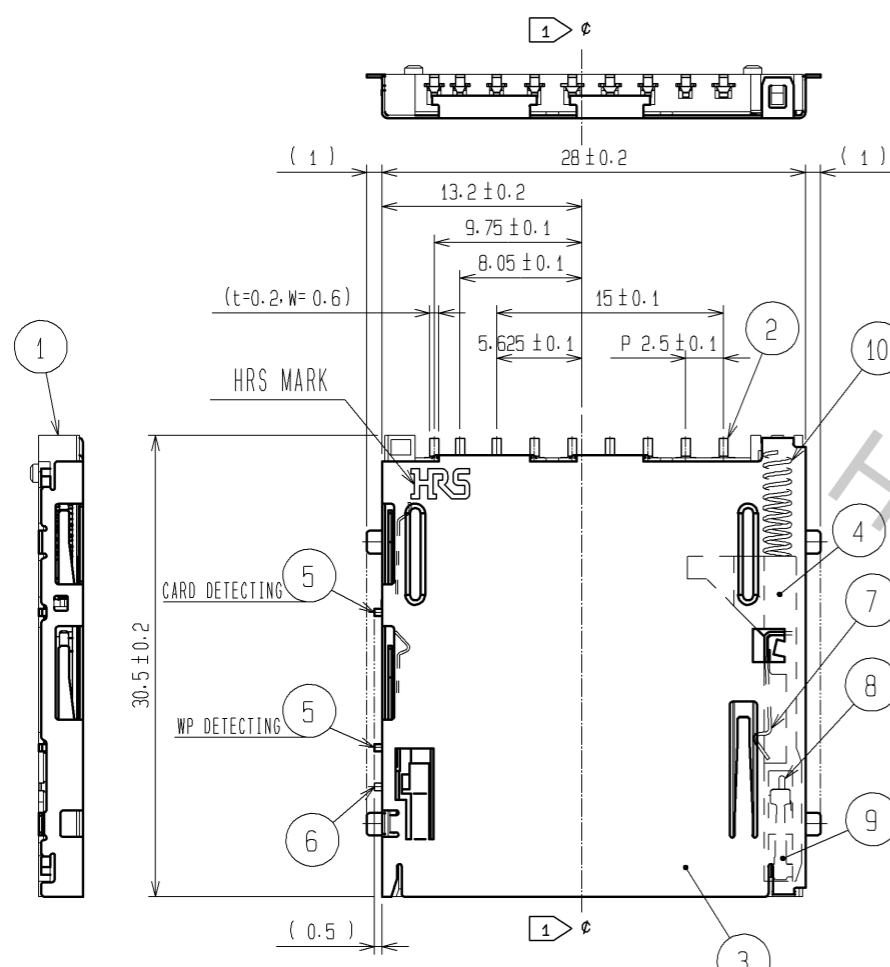
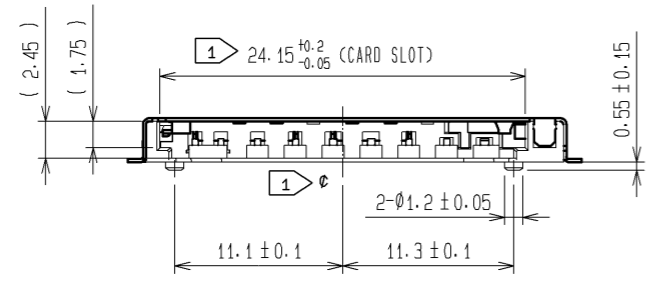
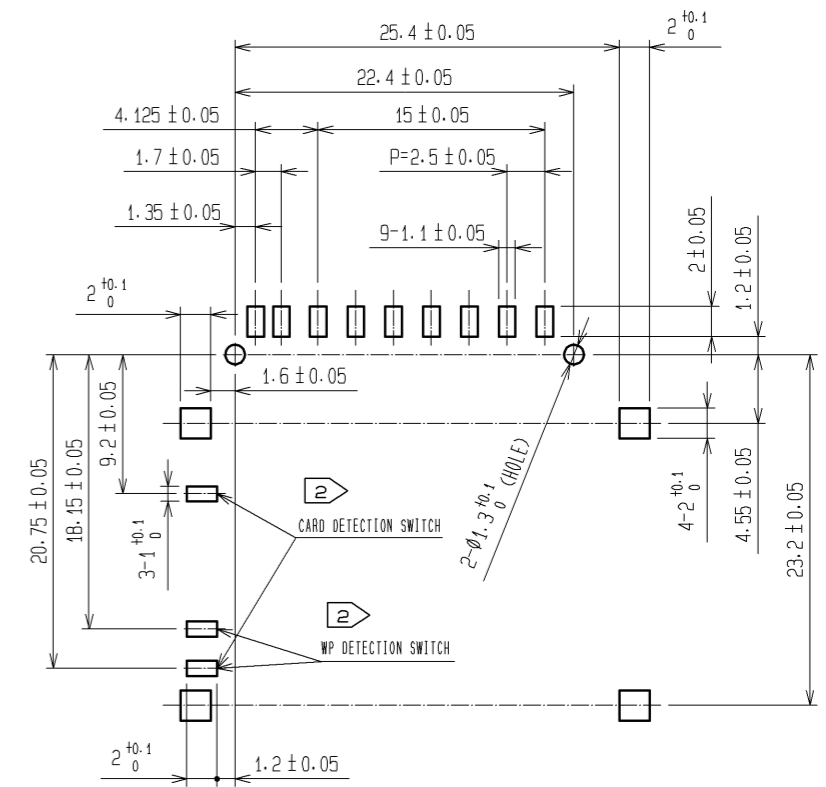


Oct.1.2018 Copyright 2018 HIROSE ELECTRIC CO., LTD. All Rights Reserved.
 In case that the application demands a high level of reliability, such as automotive,
 please contact a company representative for further information.



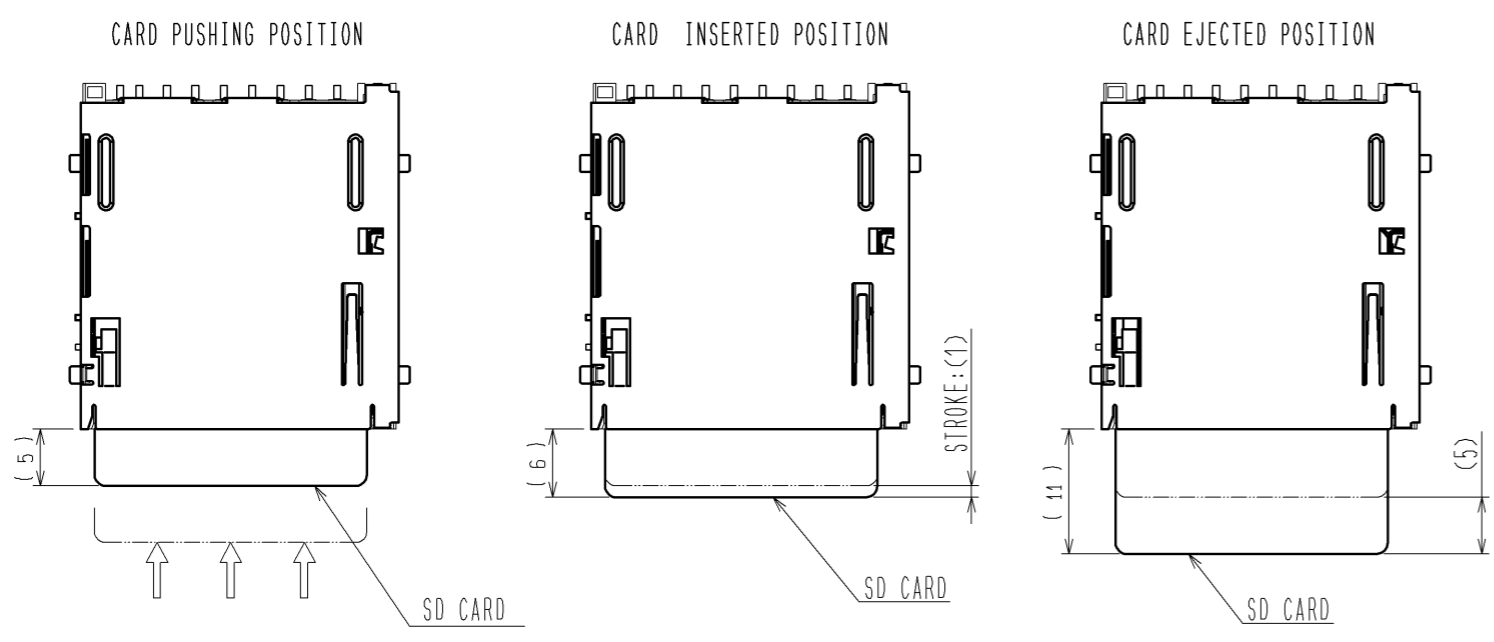
PCB LAYOUT (MOUNTING SIDE)



NOTES 1 ϕ IS THE CENTERLINE OF THE CARD SLOT.
 2 CARD DETECTION PROCEDURE AND WP DETECTION PROCEDURE ARE SHOWN IN THE BELOW.

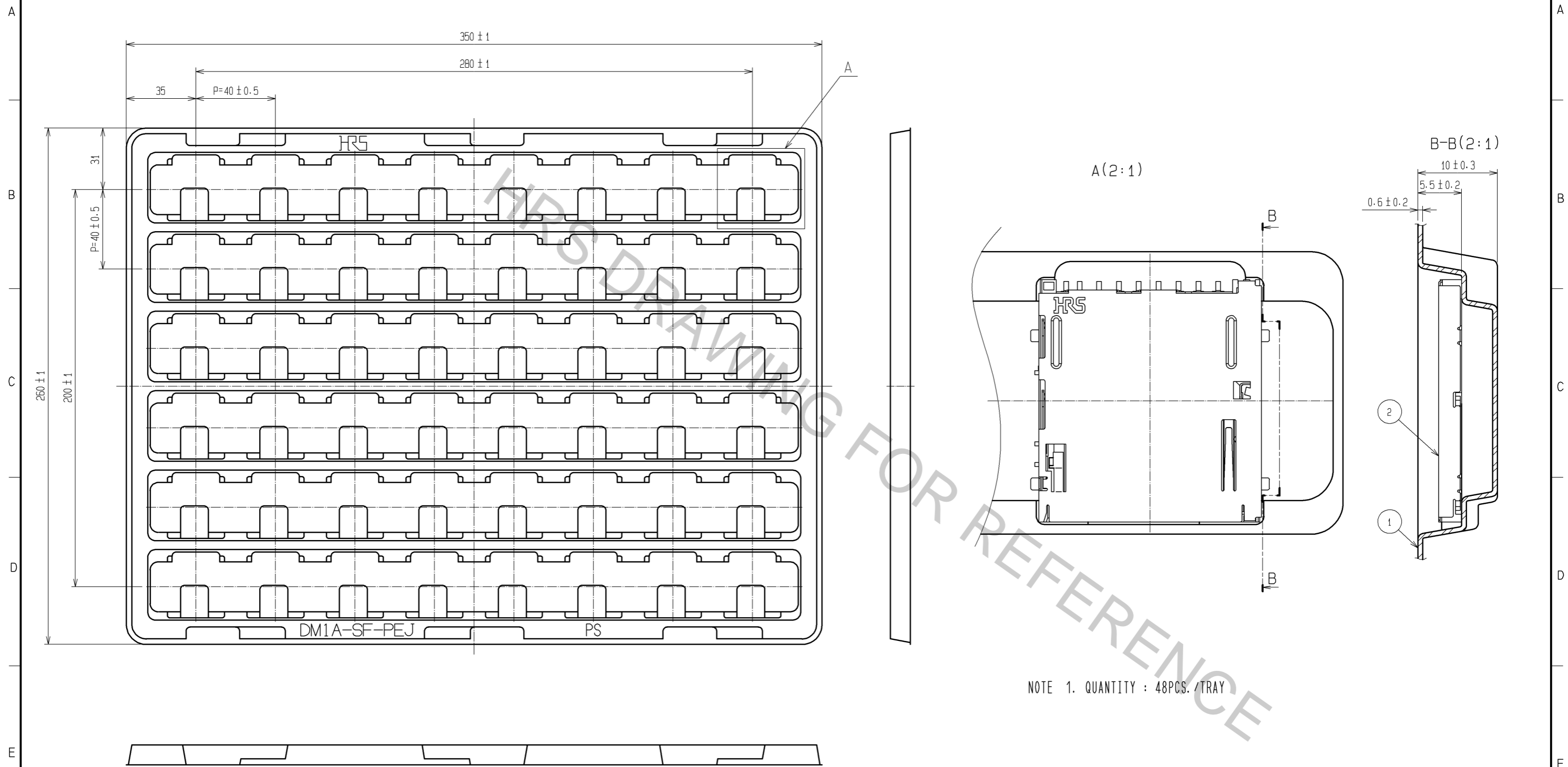
CARD DETECTION SWITCH		WP DETECTION SWITCH		
NO CARD	CARD INSERTED	NO CARD	CARD INSERTED	
			WRITE PROTECT	WRITE ENABLE
OPEN	CLOSE	OPEN	OPEN	CLOSE
PART NO. 5 (CARD DETECTING)	PART NO. 6 (CARD DETECTING)	PART NO. 5 (WP DETECTING)	PART NO. 5 (WP DETECTING)	PART NO. 6 (WP DETECTING)

3 LEAD CO-PLANARITY TO BE 0.1mm.



3	STAINLESS STEEL	MOUNTING AREA : Ni0.5 μ m+Sn1 μ m	10	SWC	Ni3 μ m
2	COPPER ALLOY	CONTACT AREA : Ni2 μ m+Au0.2 μ m MOUNTING AREA : Ni2 μ m+Au0.03 μ m	7, 8, 9	STAINLESS STEEL	CONTACT AREA : Ni2 μ m+Au0.2 μ m MOUNTING AREA : Ni2 μ m+Au0.03 μ m
1	LCP	BLACK UL94V-0	5, 6	COPPER ALLOY	
NO.	MATERIAL	FINISH . REMARKS	NO.	MATERIAL	FINISH . REMARKS
UNITS mm		SCALE 2 : 1	COUNT	DESCRIPTION OF REVISIONS	DESIGNED
HRS HIROSE ELECTRIC CO., LTD.		APPROVED : KI. AKIYAMA 09.09.15	DESIGNED	DATE	DATE
		CHECKED : NH. SUGITA 09.09.15	CHECKED	DATE	DATE
		DESIGNED : HT. SUGIMURA 09.09.14	DESIGNED	DATE	DATE
		DRAWN : CR. TAKESHIMA 09.09.14	DRAWN	DATE	DATE
			DRAWING NO.	EDC3-153736-07	
			PART NO.	DM1AA-SF-PEJ(72)	
			CODE NO.	CL609-0004-8-72	

CONFIGURATION OF PACKING TRAY



NOTE 1. QUANTITY : 48PCS./TRAY

2	CONNECTOR:DM1AA-SF-PEJ(72)
1	PS CLEAR
NO.	MATERIAL

HRS	DRAWING NO.	EDC3-153736-07
	PART NO.	DM1AA-SF-PEJ(72)
	CODE NO.	CL609-0004-8-72
		△ 2/2

Oct.1.2018 Copyright 2018 HIROSE ELECTRIC CO., LTD. All Rights Reserved.
In case that the application demands a high level of reliability, such as automotive, please contact a company representative for further information.