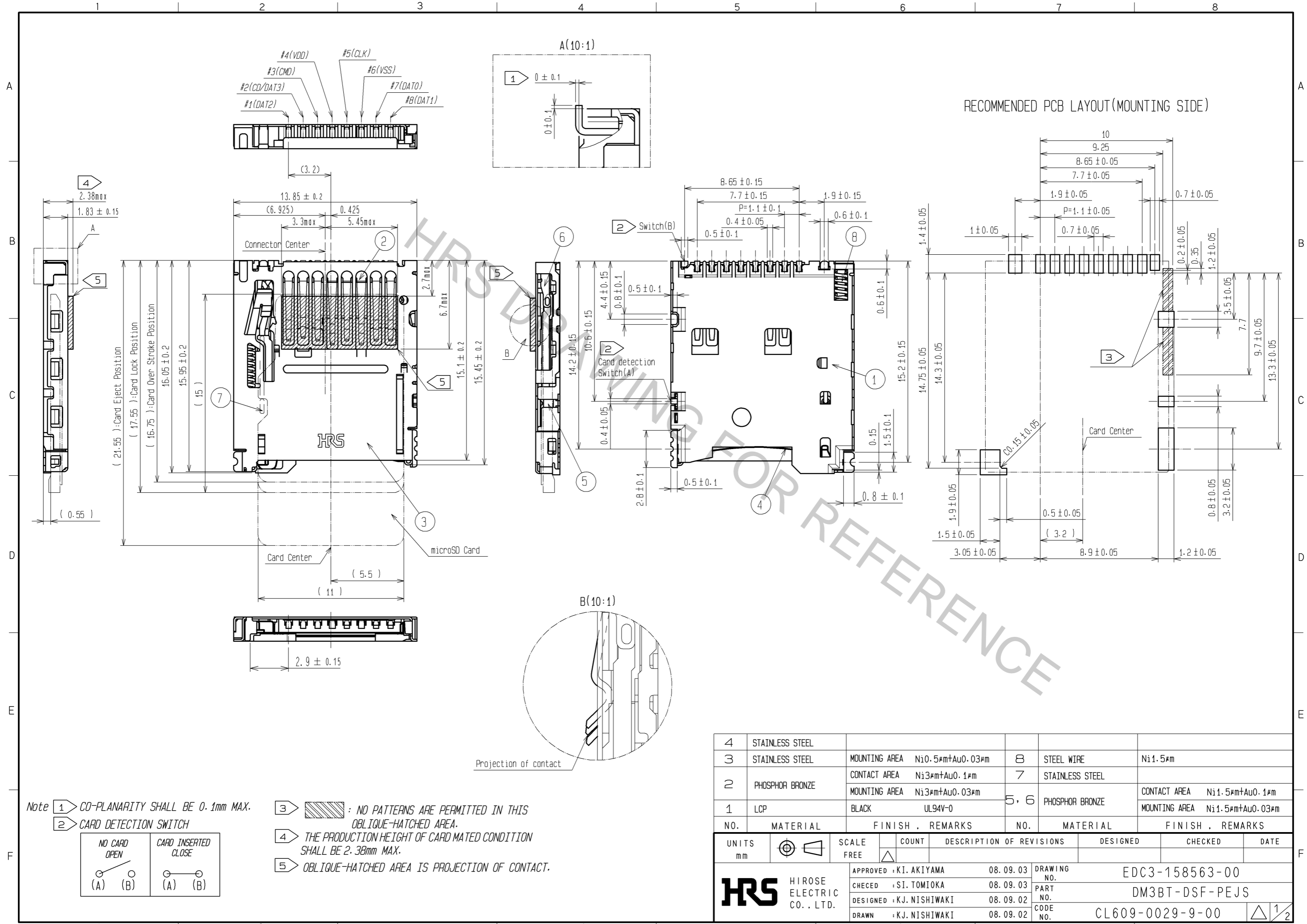


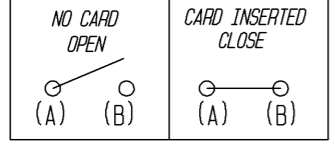
Oct.1.2018 Copyright 2018 HIROSE ELECTRIC CO., LTD. All Rights Reserved.
 In case that the application demands a high level of reliability, such as automotive,
 please contact a company representative for further information.



RECOMMENDED PCB LAYOUT(MOUNTING SIDE)

Note 1 CO-PLANARITY SHALL BE 0.1mm MAX.

2 CARD DETECTION SWITCH



3 NO PATTERNS ARE PERMITTED IN THIS OBLIQUE-HATCHED AREA.

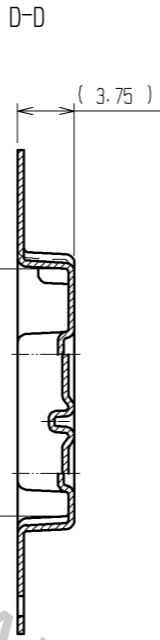
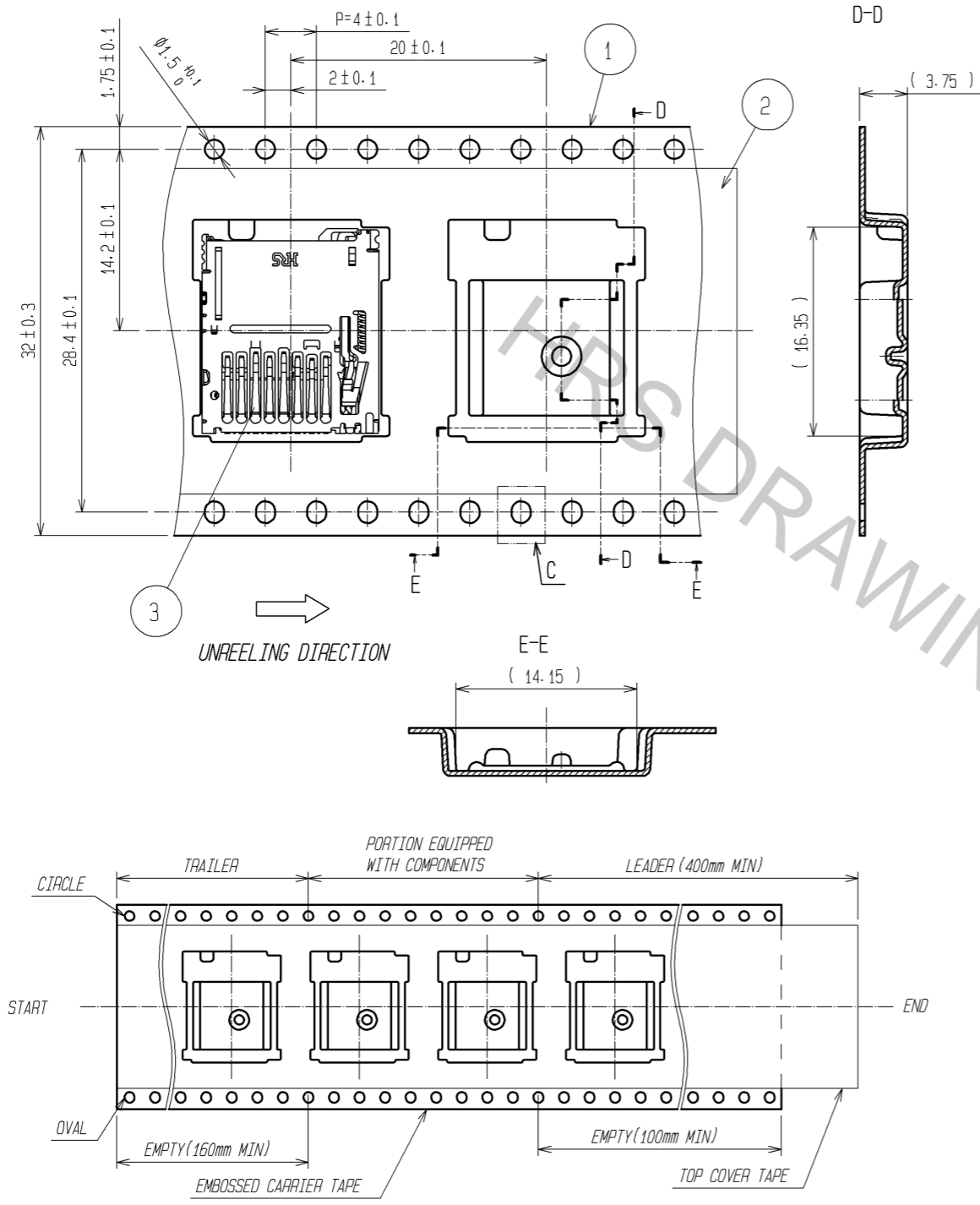
4 THE PRODUCTION HEIGHT OF CARD MATED CONDITION SHALL BE 2.38mm MAX.

5 OBLIQUE-HATCHED AREA IS PROJECTION OF CONTACT.

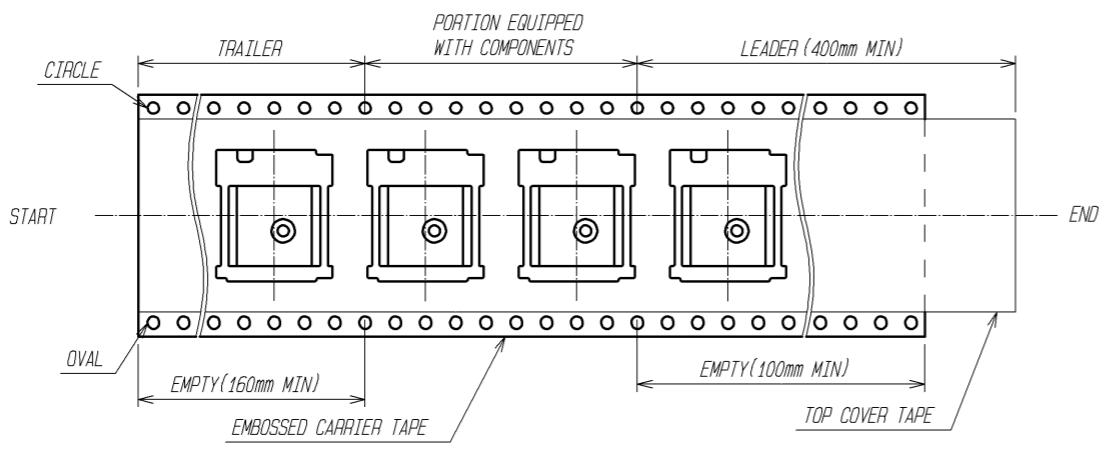
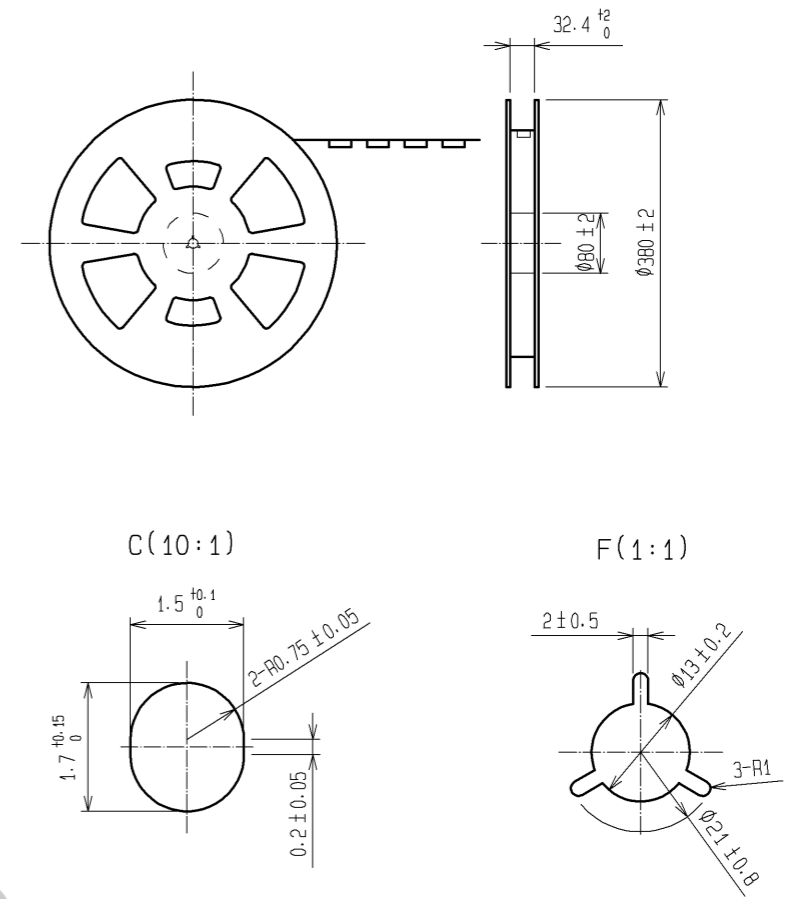
NO.	MATERIAL	FINISH	REMARKS	NO.	MATERIAL	FINISH	REMARKS
4	STAINLESS STEEL			8	STEEL WIRE		
3	STAINLESS STEEL		MOUNTING AREA Ni0.5μm+Au0.03μm	7	STAINLESS STEEL		
2	PHOSPHOR BRONZE		CONTACT AREA Ni3μm+Au0.1μm	5, 6	PHOSPHOR BRONZE		CONTACT AREA Ni1.5μm+Au0.1μm
1	LCP	BLACK	UL94V-0				MOUNTING AREA Ni1.5μm+Au0.03μm

UNITS	SCALE	COUNT	DESCRIPTION OF REVISIONS	DESIGNED	CHECKED	DATE
mm	FREE	△				
APPROVED : KI. AKIYAMA			08.09.03	DRAWING NO. EDC3-158563-00		
CHECKED : SI. TOMIOKA			08.09.03	PART NO. DM3BT-DSF-PEJS		
DESIGNED : KJ. NISHIWAKI			08.09.02	CODE NO. CL609-0029-9-00		
DRAWN : KJ. NISHIWAKI			08.09.02	1/2		

6 DRAWING FOR PACKING



DETAIL OF REEL (1:10)



8 MANUFACTURING DATE

YEAR	MONTH	DATE							
YEAR	SYMBOL	MONTH	SYMBOL	DATE	SYMBOL	DATE	SYMBOL	DATE	SYMBOL
2010	0	Jan.	A	1	1	11	B	21	M
2011	1	Feb.	B	2	2	12	C	22	N
2012	2	Mar.	C	3	3	13	D	23	P
2013	3	Apr.	D	4	4	14	E	24	Q
2014	4	May.	E	5	5	15	F	25	R
2015	5	Jun.	F	6	6	16	G	26	S
2016	6	Jul.	G	7	7	17	H	27	T
2007	7	Aug.	H	8	8	18	J	28	U
2008	8	Sep.	I	9	9	19	K	29	V
2009	9	Oct.	J	10	A	20	L	30	W
		Nov.	K					31	X
		Dec.	L						

6 PACKING TYPE: TAPE AND REEL. 1200PCS PER REEL.

7 PLEASE REFER TO TECHNICAL SPECIFICATION : ETAD-F0448
 "DM3BT SERIES PRODUCT INFORMATION AND HANDLING INSTRUCTIONS"
 FOR THE HANDLING OF THE PRODUCT.

8 Lot.No. SHALL BE INDICATED AS SHOWN.

e.g. B H M 1
 PRODUCTION LINE: LINE No.1
 DATE: 21th
 MONTH: Aug.
 YEAR: 2008

3	(CONNECTORS)	
2	POLYESTER	
1	PS	

NO.	MATERIAL	FINISH . REMARKS	NO.	MATERIAL	FINISH . REMARKS		
UNITS	mm	SCALE 2 : 1	COUNT	DESCRIPTION OF REVISIONS	DESIGNED	CHECKED	DATE
APPROVED : KI. AKIYAMA		08.09.03	DRAWING NO.		EDC3-158563-00		
CHECKED : SI. TOMIOKA		08.09.03	PART NO.		DM3BT-DSF-PEJS		
DESIGNED : KJ. NISHIWAKI		08.09.02	CODE NO.		CL609-0029-9-00		
DRAWN : KJ. NISHIWAKI		08.09.02			2/2		