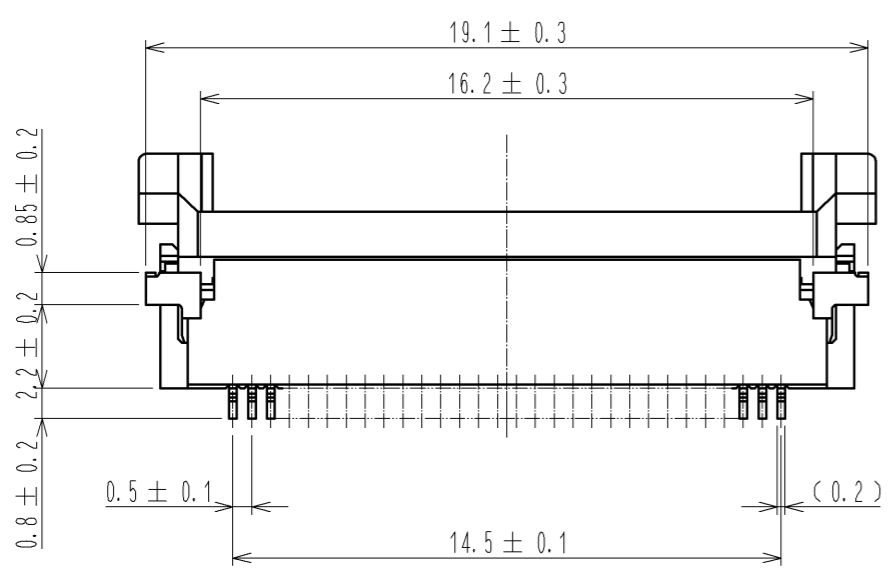
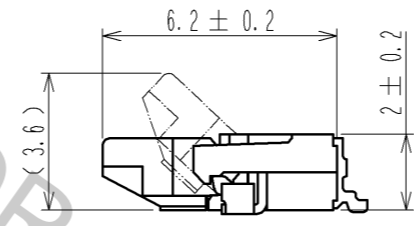
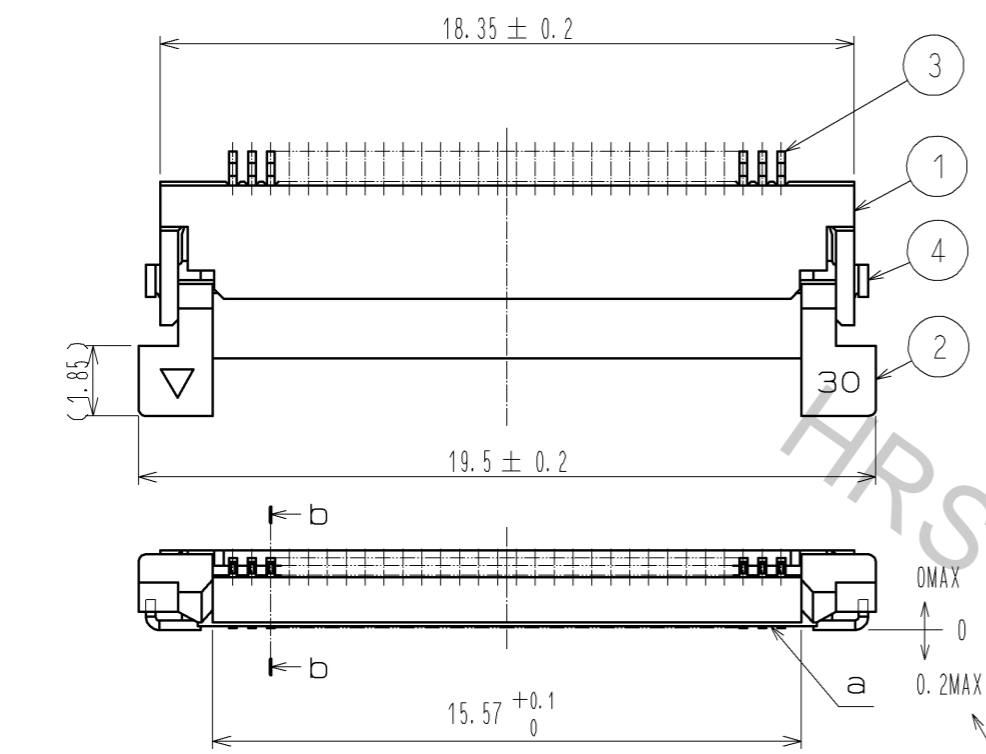
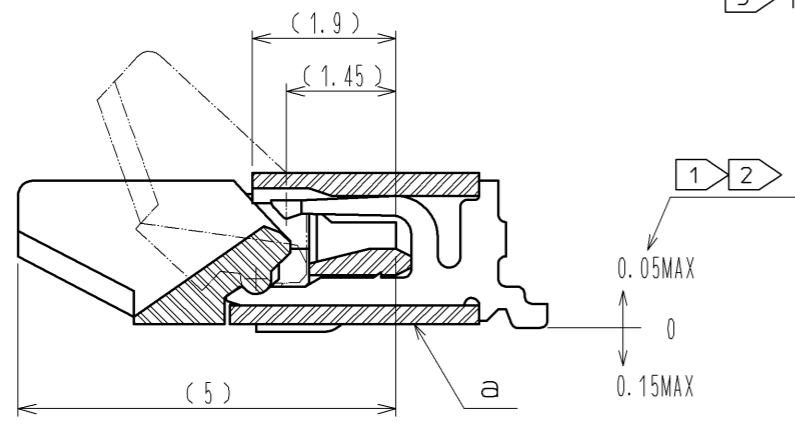


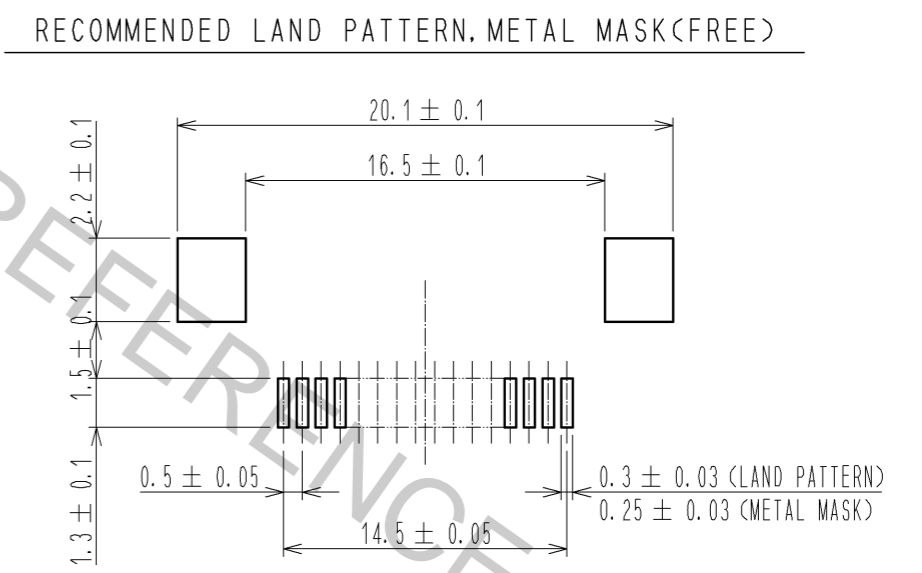
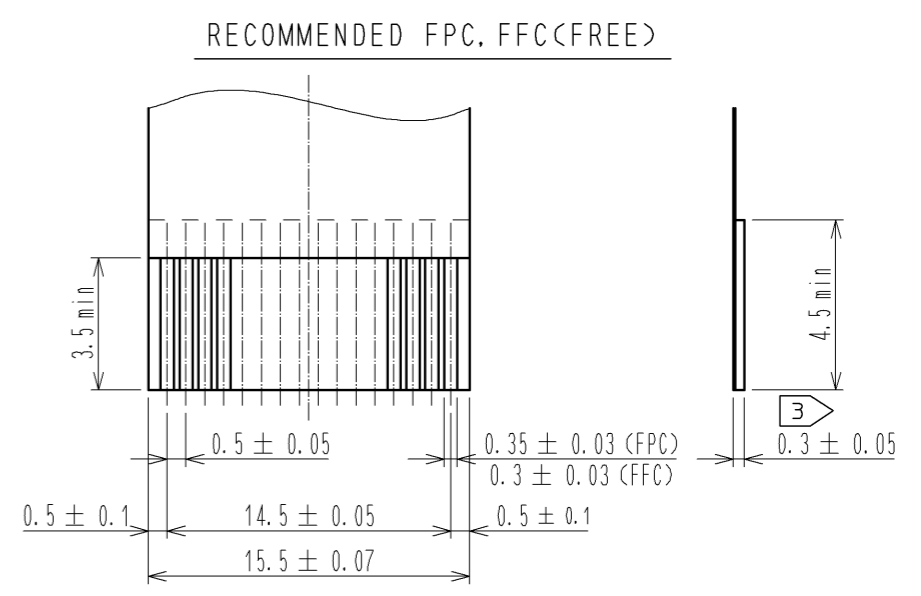
Oct.1.2018 Copyright 2018 HIROSE ELECTRIC CO., LTD. All Rights Reserved.
 In case that the application demands a high level of reliability, such as automotive,
 please contact a company representative for further information.



b-b (10 : 1)



- NOTE
- ① REFERENCE IS a.
 - ② LEAD CO-PLANARITY SHALL BE 0.1 MAX.
 - ③ THICKNESS OF SUPPORTING TAPE SHALL BE 0.188(7.5mil) MIN.



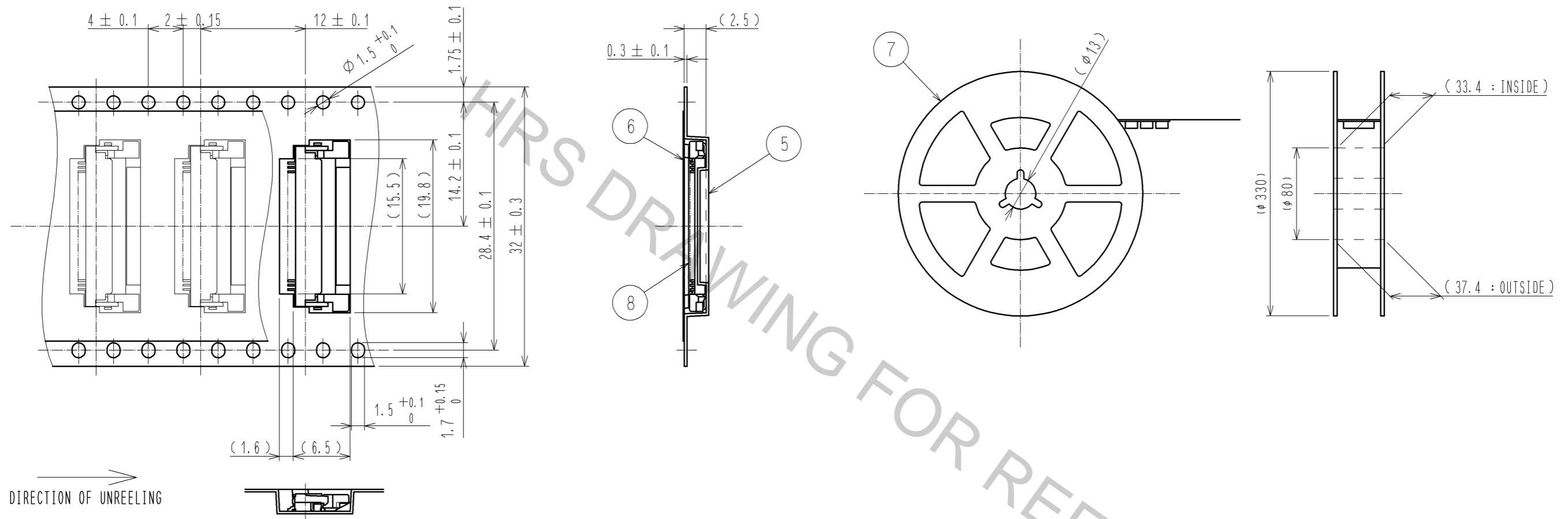
RECOMMENDED METAL MASK THICKNESS t=0.15

| 4 | BRASS | TIN PLATING 1μmMIN OVER NICKEL 1μmMIN. | 8 | (CONNECTOR) | | | | |
|-------------------------|-----------------|--|-------|-------------|--------------------------|---------------------|---------|------|
| 3 | PHOSPHOR BRONZE | GOLD PLATING 0.05μmMIN OVER NICKEL 1μmMIN. | 7 | POLYSTYRENE | | | | |
| 2 | PPS | (DEEP BROWN) UL94V-0 | 6 | POLYESTER | | | | |
| 1 | POLYAMIDE | (BEIGE) UL94V-0 | 5 | POLYSTYRENE | | | | |
| NO. | MATERIAL | FINISH . REMARKS | NO. | MATERIAL | FINISH . REMARKS | | | |
| UNITS | mm | SCALE | 5 : 1 | COUNT | DESCRIPTION OF REVISIONS | DESIGNED | CHECKED | DATE |
| APPROVED : RI. TAKAYASU | | 08.09.03 | | DRAWING NO. | | EDC3-150556-51 | | |
| CHECKED : HS. SAKAMOTO | | 08.09.03 | | PART NO. | | FH12A-30S-0.5SH(55) | | |
| DESIGNED : MK. YASUMI | | 08.09.03 | | CODE NO. | | CL586-0556-5-55 | | |
| DRAWN : MK. YASUMI | | 08.09.03 | | | | 1/2 | | |

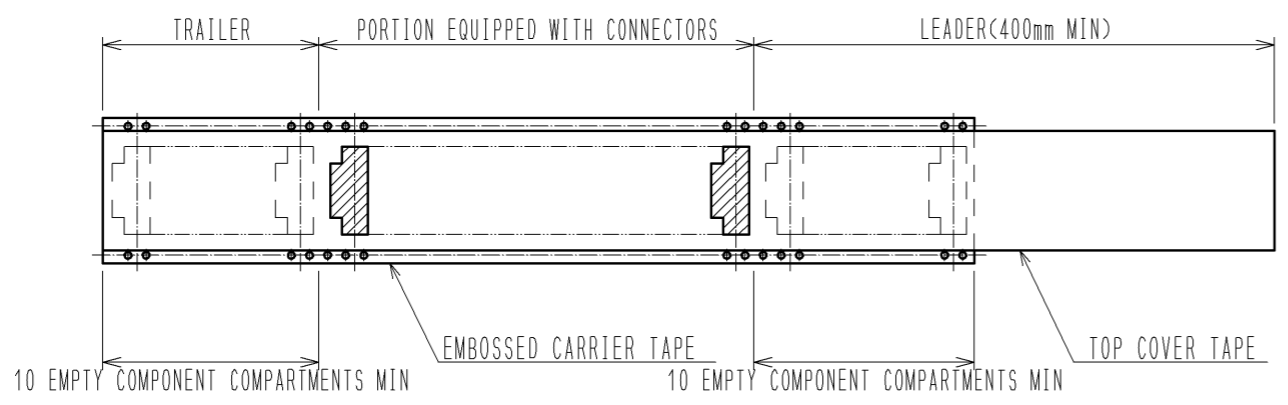
Oct.1.2018 Copyright 2018 HIROSE ELECTRIC CO., LTD. All Rights Reserved.
 In case that the application demands a high level of reliability, such as automotive,
 please contact a company representative for further information.

EMBOSSED CARRIER TAPE DIMENSION(2:1)

REEL DIMENSION(FREE)



DIRECTION OF UNREELING



NOTE 4 THE DIMENSIONS IN PARENTHESES ARE FOR REFERENCE.
 5 1 REEL:2000 CONNECTORS.

<DRAWING FOR PACKING>

| | | |
|------------|-------------|---------------------|
| HRS | DRAWING NO. | EDC3-150556-51 |
| | PART NO. | FH12A-30S-0.5SH(55) |
| | CODE NO. | CL586-0556-5-55 |
| | | △ 2/2 |