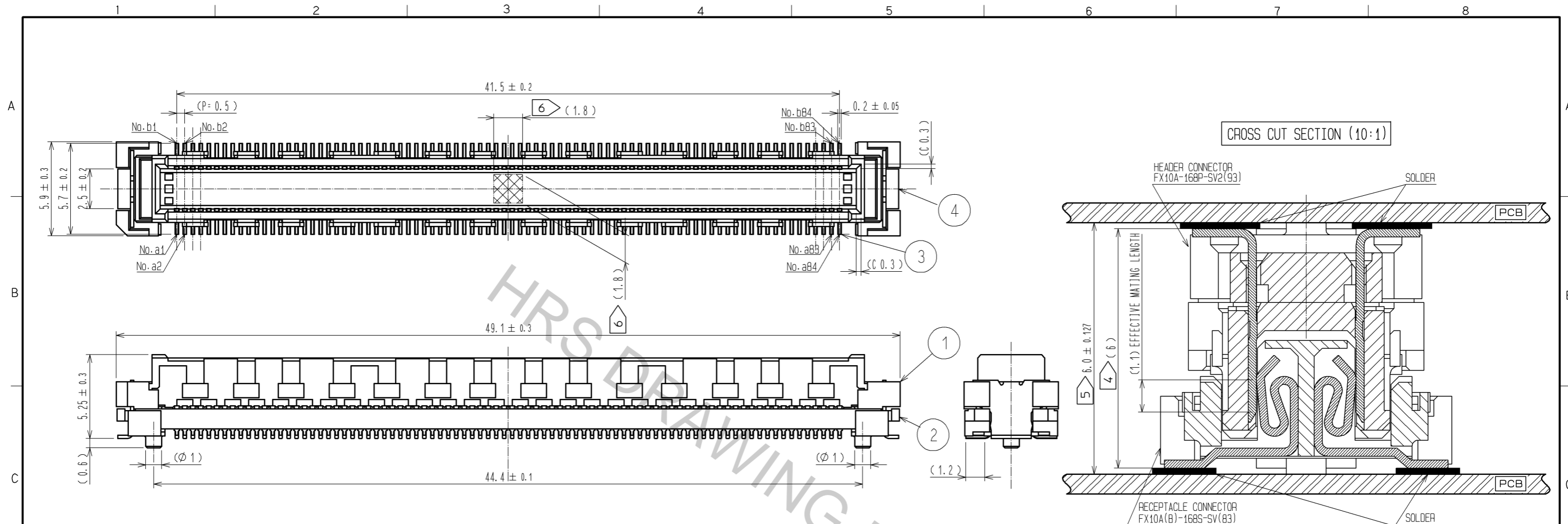
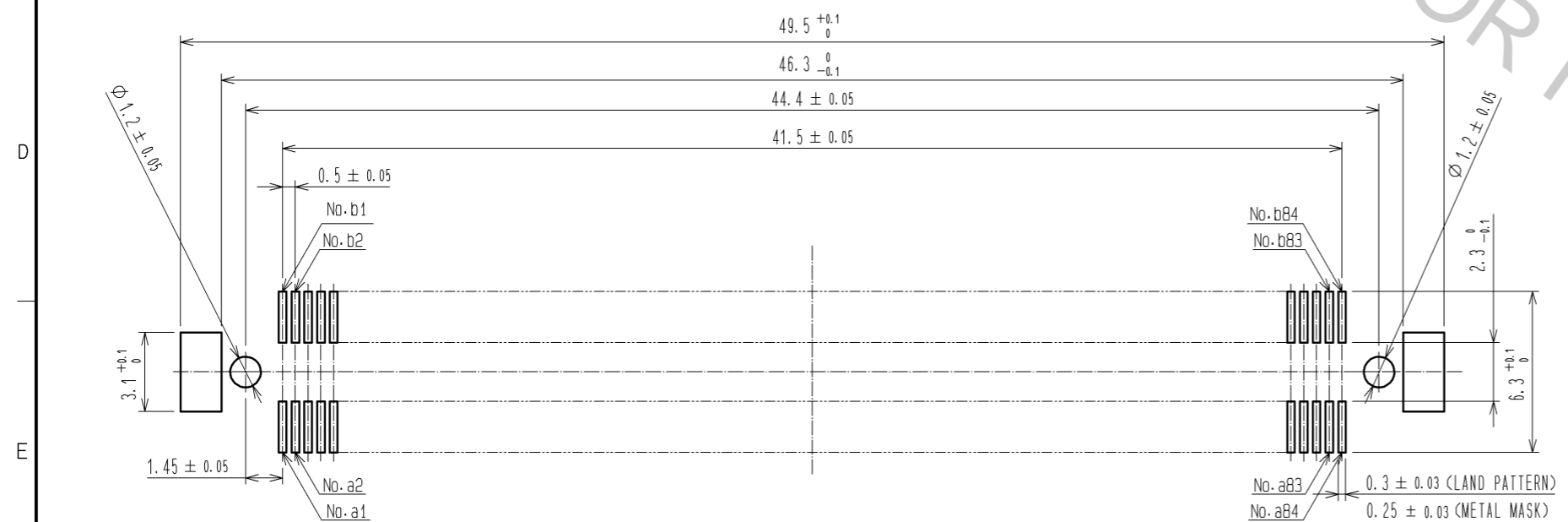


Oct.1.2018 Copyright 2018 HIROSE ELECTRIC CO., LTD. All Rights Reserved.
 In case that the application demands a high level of reliability, such as automotive,
 please contact a company representative for further information.



RECOMMENDED LAND PATTERN DIMENSION OF PCB
 (RECOMMENDED METAL MASK THICKNESS:0.15mm)

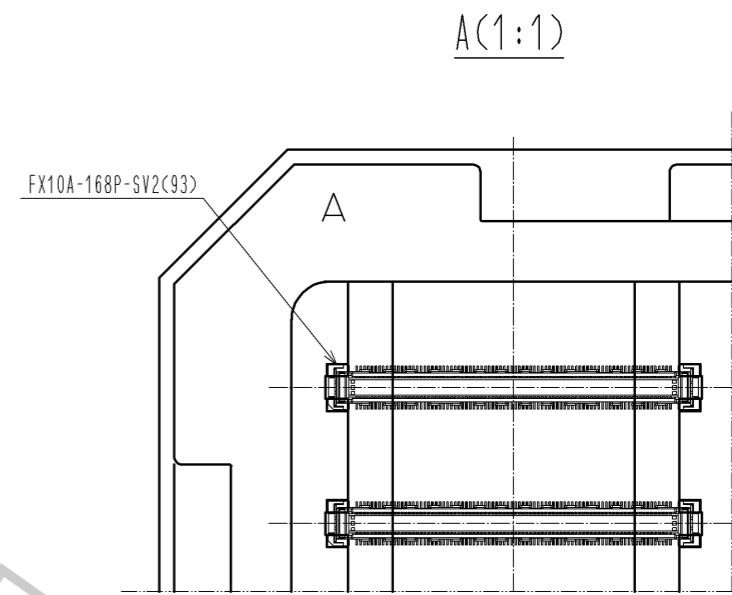
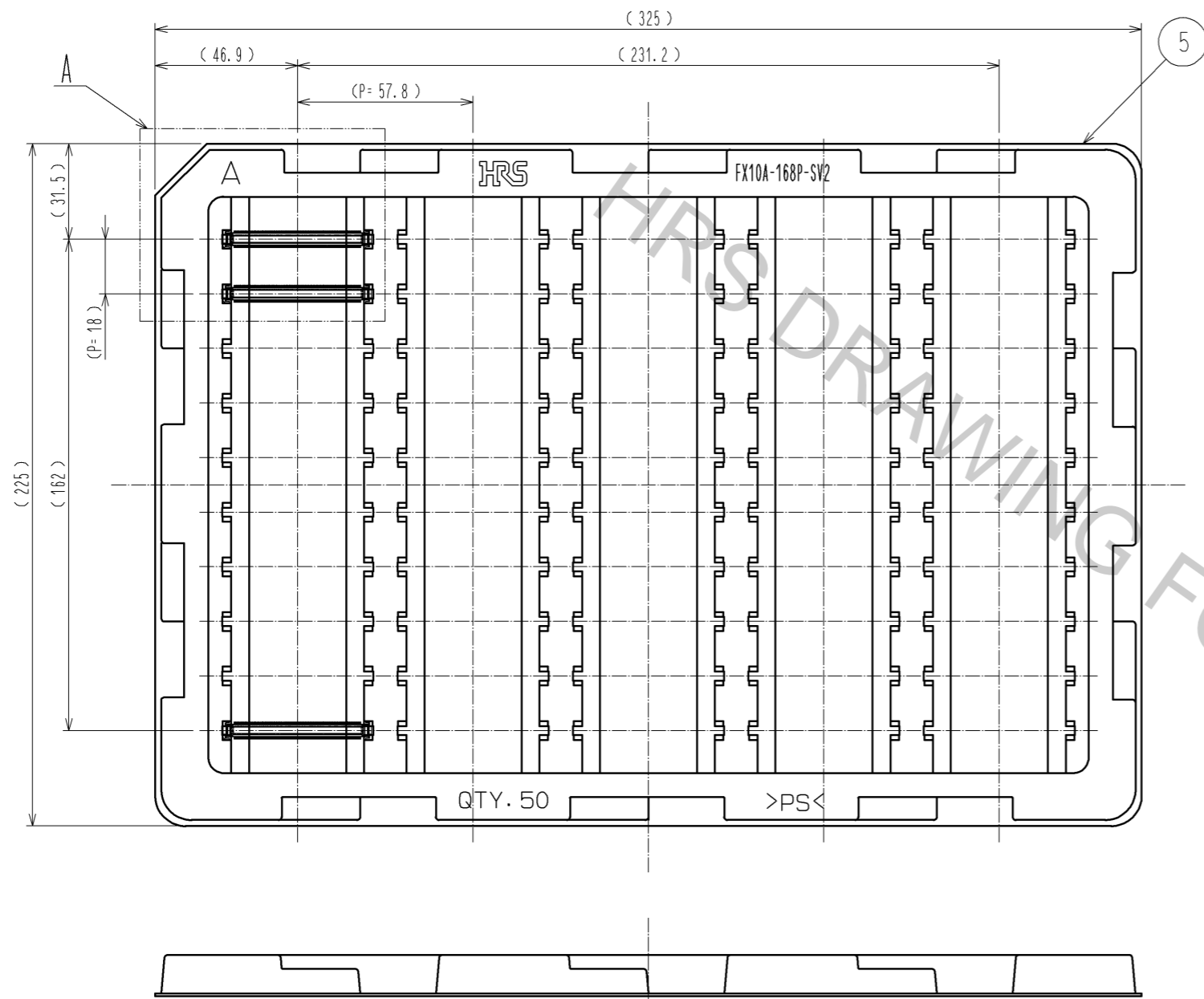


- NOTES
- 1 SMT LEAD-COPLANARITY:0.1 MAX.
 - 2 THIS PRODUCT HAS NO POLARITY TO PATTERN FOR MOUNTING.
 - 3 THE DIMENSIONS IN PARENTHESES ARE FOR REFERENCE.
 - 4 STACKING HEIGHT FROM LEAD TO LEAD(REFERENCE DIMENSIONS)
 - 5 BOARD DISTANCE
 - 6 AREA IS VACUUM PICKUP AREA FOR REFERENCE.

3	COPPER ARROY	CONTACT AREA:GOLD 0.76#m min. LEAD AREA:GOLD 0.03#m min. UNDER PLATING:NICKEL 1.3#m min.	5	PS			
1, 2	LCP	BEIGE UL94V-0	4	COPPER ARROY	SURFACE AREA:GOLD 0.03#m min. UNDER PLATING:NICKEL 1.3#m min.		
NO.	MATERIAL	FINISH . REMARKS	NO.	MATERIAL	FINISH . REMARKS		
UNITS mm		SCALE 4 : 1	COUNT 	DESCRIPTION OF REVISIONS	DESIGNED	CHECKED	DATE
HRS HIROSE ELECTRIC CO., LTD.		APPROVED : HS. OKAWA	11.03.24	DRAWING NO.	EDC3-330879-02		
		CHECKED : KI. HIROKAWA	11.03.24	PART NO.	FX10A-168P-SV2(93)		
		DESIGNED : DK. AIMOTO	11.03.23	CODE NO.	CL570-0302-1-93		
		DRAWN : DK. AIMOTO	11.03.23		1/2		

Oct.1.2018 Copyright 2018 HIROSE ELECTRIC CO., LTD. All Rights Reserved.
 In case that the application demands a high level of reliability, such as automotive,
 please contact a company representative for further information.

DRAWING FOR PACKING(2:1)



- NOTES 1 1TRAY:50 CONNECTORS.
 2 THIS PRODUCT HAS NO POLARITY TO TRAY PACKAGING.
 3 THE DIMENSIONS IN PARENTHESES ARE FOR REFERENCE.

HRS	DRAWING NO.	EDC3-330879-02	2/2
	PART NO.	FX10A-168P-SV2(93)	
	CODE NO.	CL570-0302-1-93	