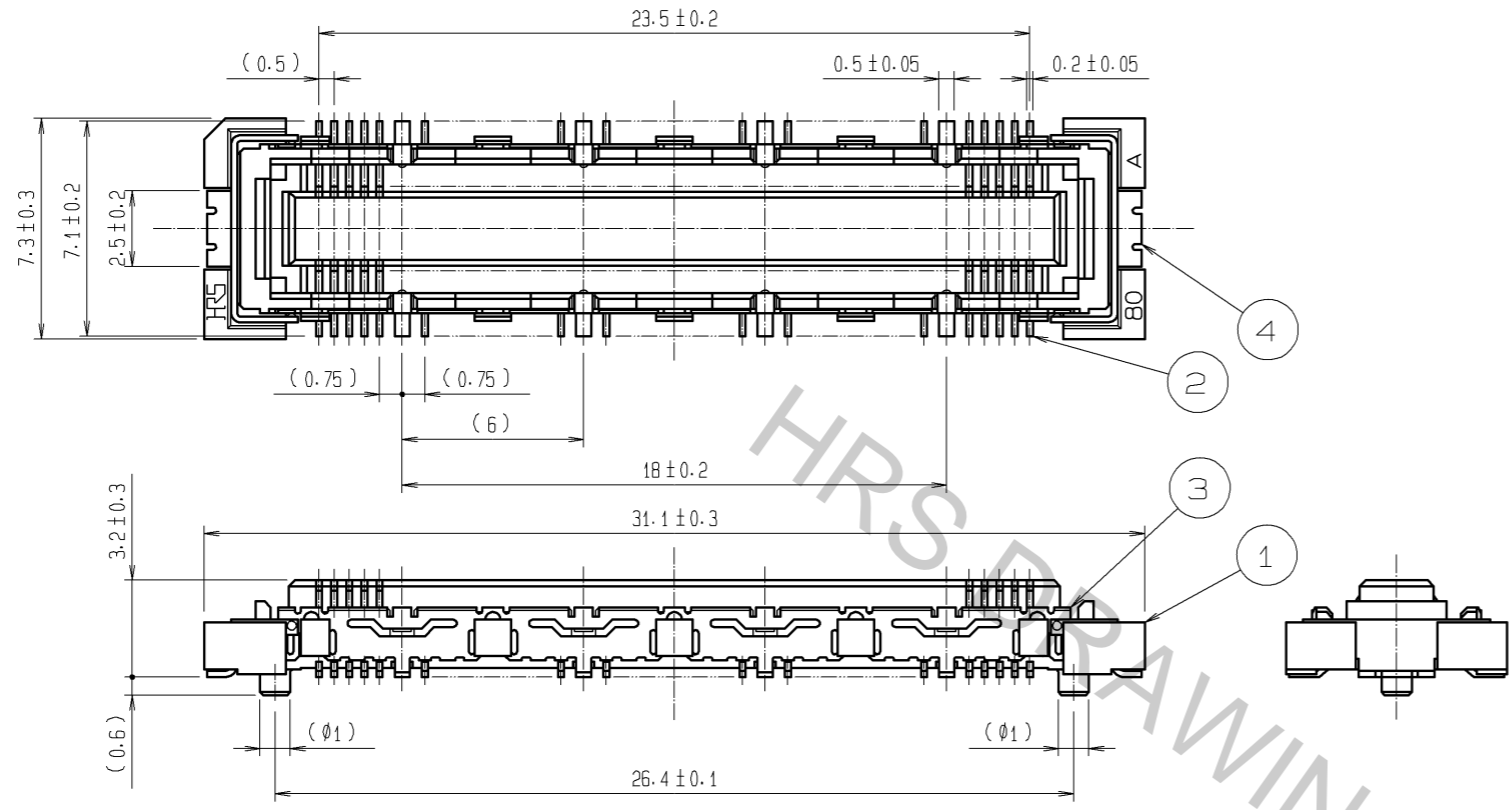
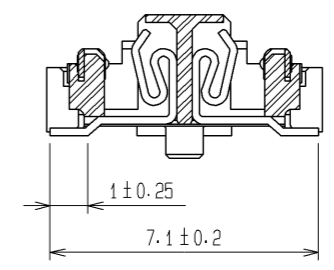


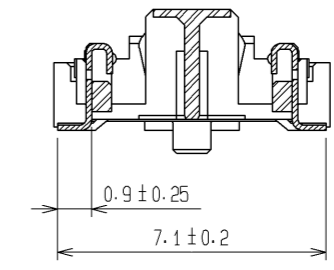
Oct.1.2018 Copyright 2018 HIROSE ELECTRIC CO., LTD. All Rights Reserved.
 In case that the application demands a high level of reliability, such as automotive,
 please contact a company representative for further information.



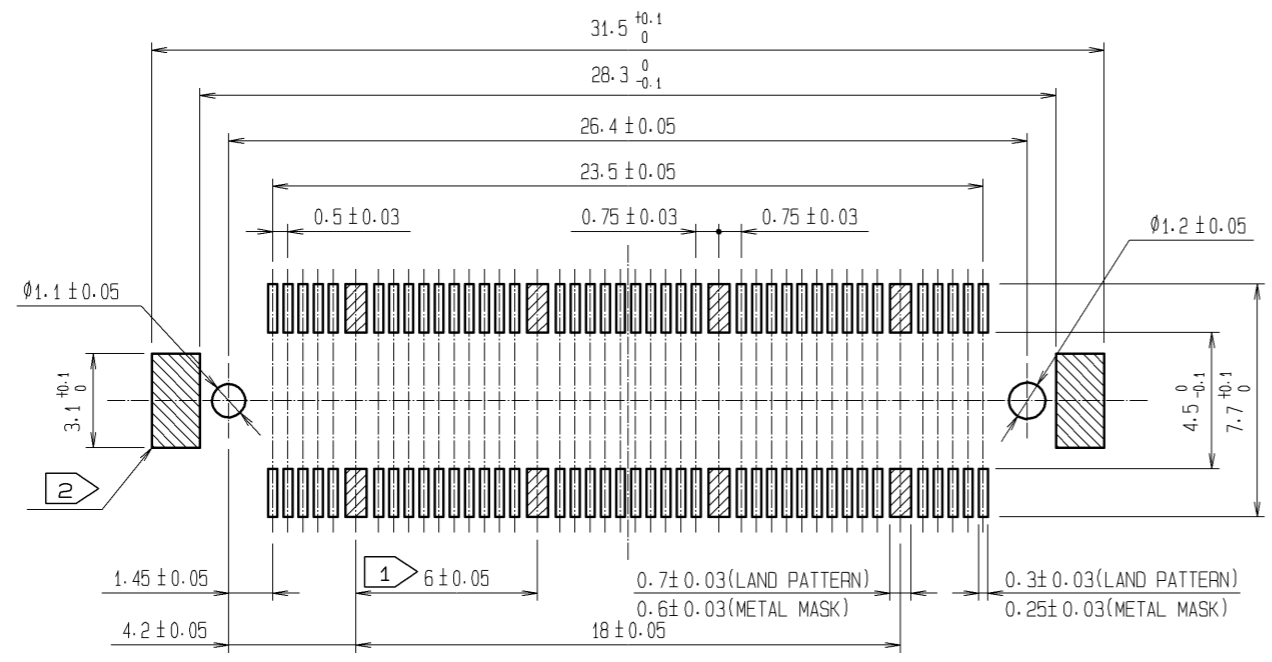
CROSS CUT SECTION - SIGNAL(5:1)



CROSS CUT SECTION - GROUND(5:1)



RECOMMENDED LAND PATTERN DIMENSION OF PCB
 (RECOMMENDED METAL MASK THICKNESS:0.15mm)



- NOTES
- ① 8 HATCHED PARTS:GROUND CIRCUIT.
 - ② 2 HATCHED PARTS:GROUND CIRCUIT.
 - 3 SMT LEAD-COPLANARITY:0.1 MAX.
 - 4 THIS PRODUCT HAS NO POLARITY TO PATTERN FOR MOUNTING.
 - 5 THE DIMENSIONS IN PARENTHESES ARE FOR REFERENCE.

3, 4	PHOSPHOR BRONZE	TIN-PLATING
2	PHOSPHOR BRONZE	CONTACT AREA : GOLD 0.1µm min. LEAD AREA : GOLD FLASH UNDER PLATING : NICKEL 1µm min.
NO.	MATERIAL	FINISH , REMARKS

1	LCP	BEIGE UL94V-0						
NO.	MATERIAL	FINISH , REMARKS	NO.	MATERIAL	FINISH , REMARKS			
UNITS	mm	SCALE	4 : 1	COUNT	DESCRIPTION OF REVISIONS	DESIGNED	CHECKED	DATE
APPROVED : HS. OKAWA		08.06.26		DRAWING NO.		EDC3-151976-25		
CHECKED : HT. YAMAGUCHI		08.06.25		PART NO.		FX10A-80S/8-SV(71)		
DESIGNED : SY. KAMIGA		08.06.23		CODE NO.		CL570-0201-4-71		
DRAWN : HK. SUNADORI		08.06.18						