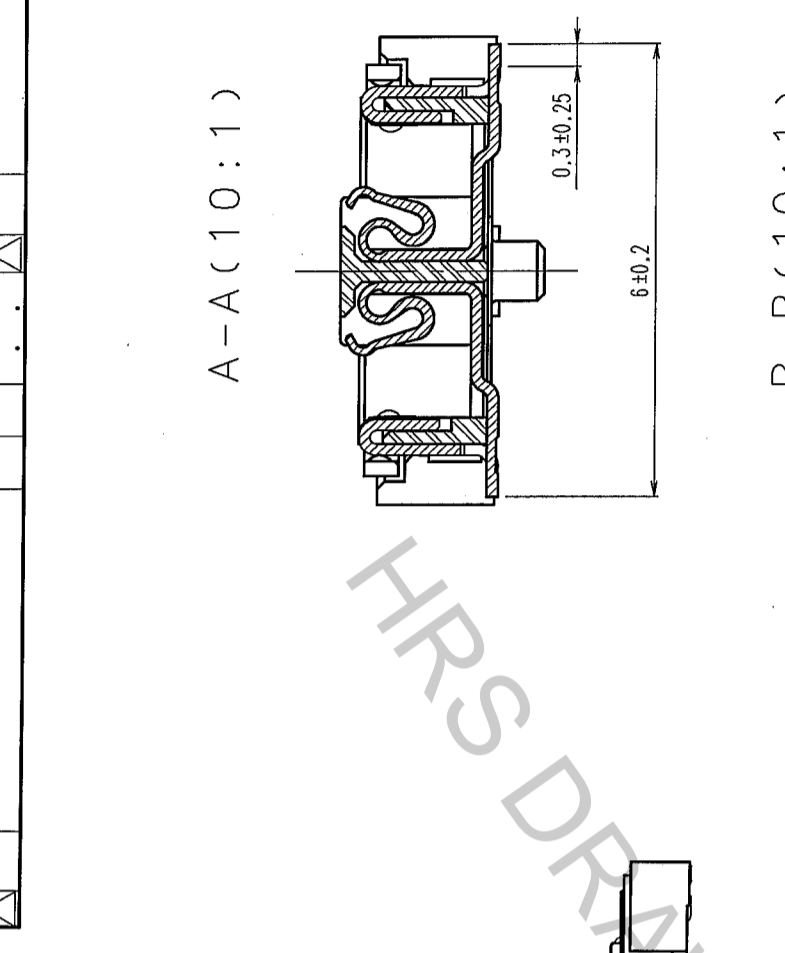
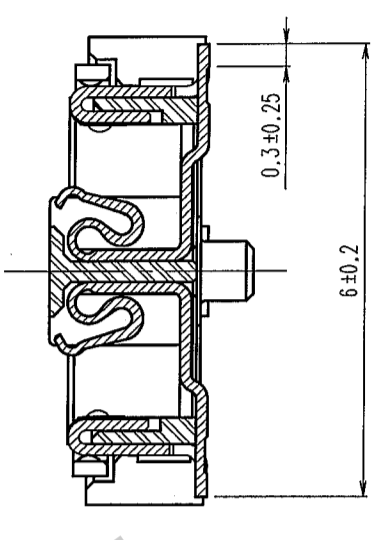


NO.	DESCRIPTION OF REVISIONS	BY	CHKD	DATE	COUNT	DESCRIPTION OF REVISIONS	BY	CHKD	DATE
1					1				
2					1				
3					1				

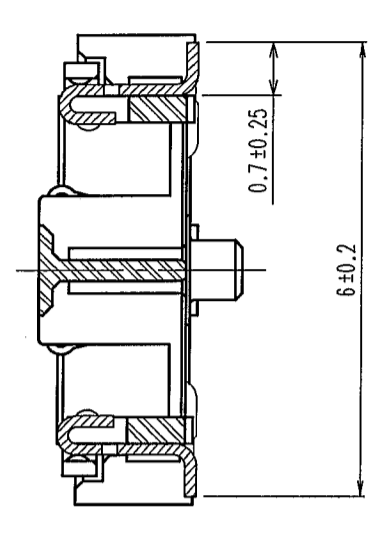
Oct.1.2018 Copyright 2018 HIROSE ELECTRIC CO., LTD. All Rights Reserved.
 In case that the application demands a high level of reliability, such as automotive, please contact a company representative for further information.



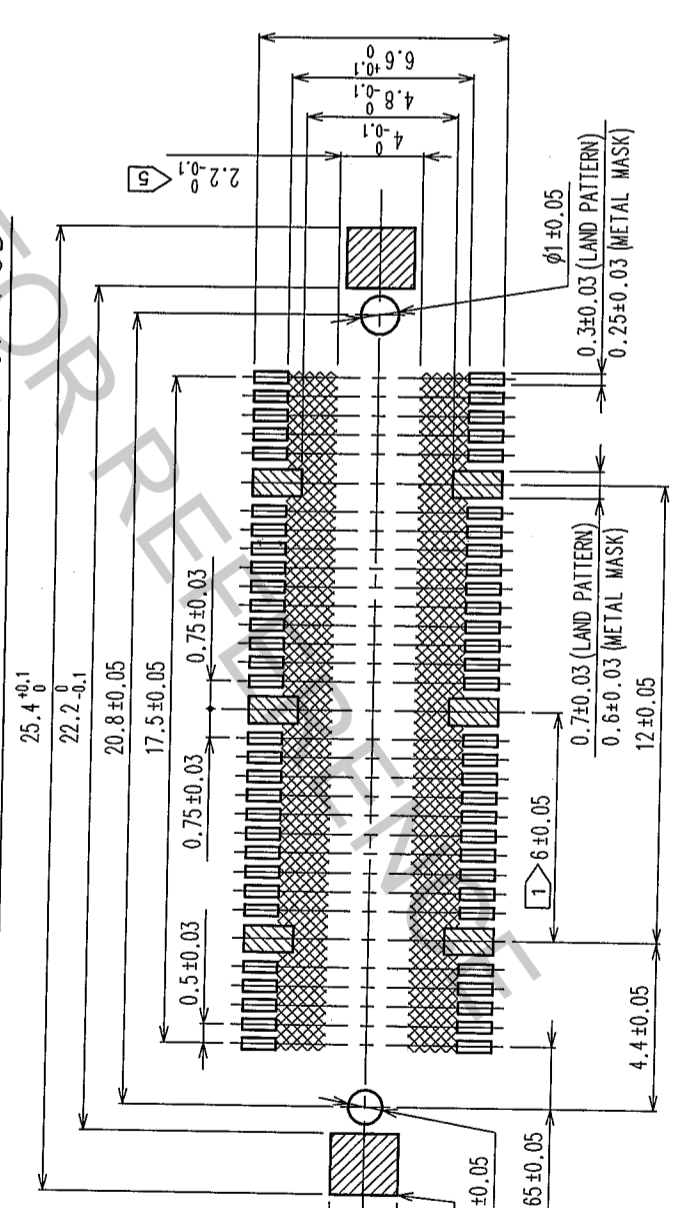
A-A (10:1)



B-B (10:1)



RECOMMENDED LAND PATTERN DIMENSION OF PCB



- NOTES
- 1 HATCHED PARTS: GROUND CIRCUIT.
 - 2 HATCHED PARTS: GROUND CIRCUIT.
 - 3 SMT LEAD-COPLANARITY: 0.1 MAX.
 - 4 THIS PRODUCT HAS NO POLARITY TO PATTERN FOR MOUNTING.
 - 5 MAKE SURE WIDTH OF PATTERN IS WITHIN THAT OF LAND, OR LEAD MAY TOUCH PATTERN. (THIS APPLIES TO HATCHED AREA.)
 - 6 DIMENSION IN PARENTHESES ARE FOR REFERENCE.

3, 4	PHOSPHOR BRONZE	TIN PLATING	2	PHOSPHOR BRONZE		CONTACT AREA : GOLD 0.1μm min. MOUNTING AREA : GOLD FLASH			
1	LCP	BEIGE UL94V-0				UNDER PLATING : NICKEL 1.0μm min.			
NO.	MATERIAL	FINISH, REMARKS	NO.	MATERIAL	DESIGNED	CHECKED	APPROVED	REMARKS	RELEASED
CODE NO. (OLD)	CL				T. YANAGISAWA	J. Meda			
					'05.10.12	'05.10.13	'05.10.13	'05.10.13	
DRAWING NO.	EDC3-152632-25	PART NO.	FX11A-60S/6-SV(71)						
SCALE	5 : 1	UNITS	mm						
			HRS HIROSE ELECTRIC CO., LTD.						
			CODE NO. CL573-0702-9-71						

TO