

NO.	DESCRIPTION OF REVISIONS	COUNT	DATE	BY	CHKD

NO.	DESCRIPTION OF REVISIONS	COUNT	DATE	BY	CHKD

NO.	DESCRIPTION OF REVISIONS	COUNT	DATE	BY	CHKD

NO.	DESCRIPTION OF REVISIONS	COUNT	DATE	BY	CHKD

NO.	DESCRIPTION OF REVISIONS	COUNT	DATE	BY	CHKD

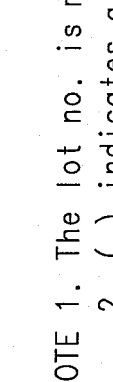
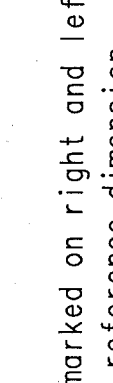
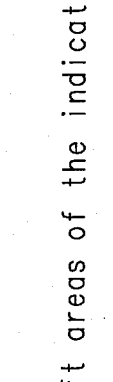
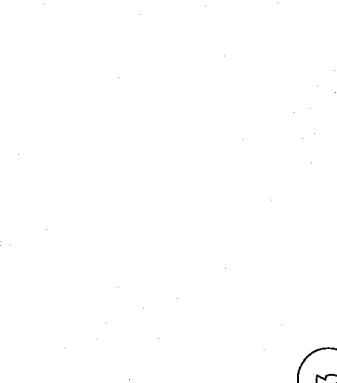
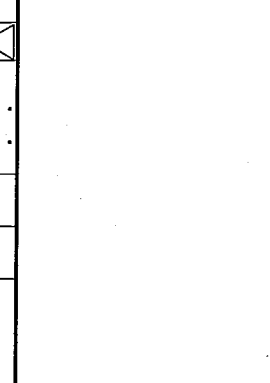
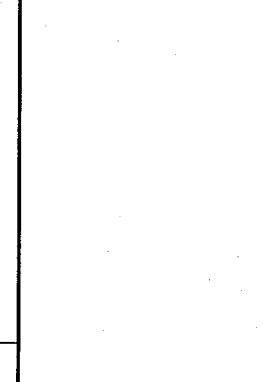
NO.	DESCRIPTION OF REVISIONS	COUNT	DATE	BY	CHKD

NO.	DESCRIPTION OF REVISIONS	COUNT	DATE	BY	CHKD

NO.	DESCRIPTION OF REVISIONS	COUNT	DATE	BY	CHKD

NO.	DESCRIPTION OF REVISIONS	COUNT	DATE	BY	CHKD

NO.	DESCRIPTION OF REVISIONS	COUNT	DATE	BY	CHKD



NOTE 1. The lot no. is marked on right and left areas of the indicated surface.  
 2. ( ) indicates a reference dimension.  
 3. The connectors are delivered in tray packaging.  
 Refer to the package specification drawing on Sheet 2 for details.

NO.	MATERIAL	FINISH, REMARKS	NO.	MATERIAL	FINISH, REMARKS
2	NICKEL SILVER		4	STAINLESS	
1	PA	BLACK UL94V-0	3	NICKEL SILVER	

CODE NO. (OLD)	CL	DRAWN	DESIGNED	CHECKED	APPROVED	RELEASED
		K. SHIBUYA	K. Shibuya	H. Yamaguchi	H. Okawa	
		05.08.31	05.08.31	05.09.01	05.09.01	

DRAWING NO.	PART NO.
EDC3-155799	FX15S-51P-C

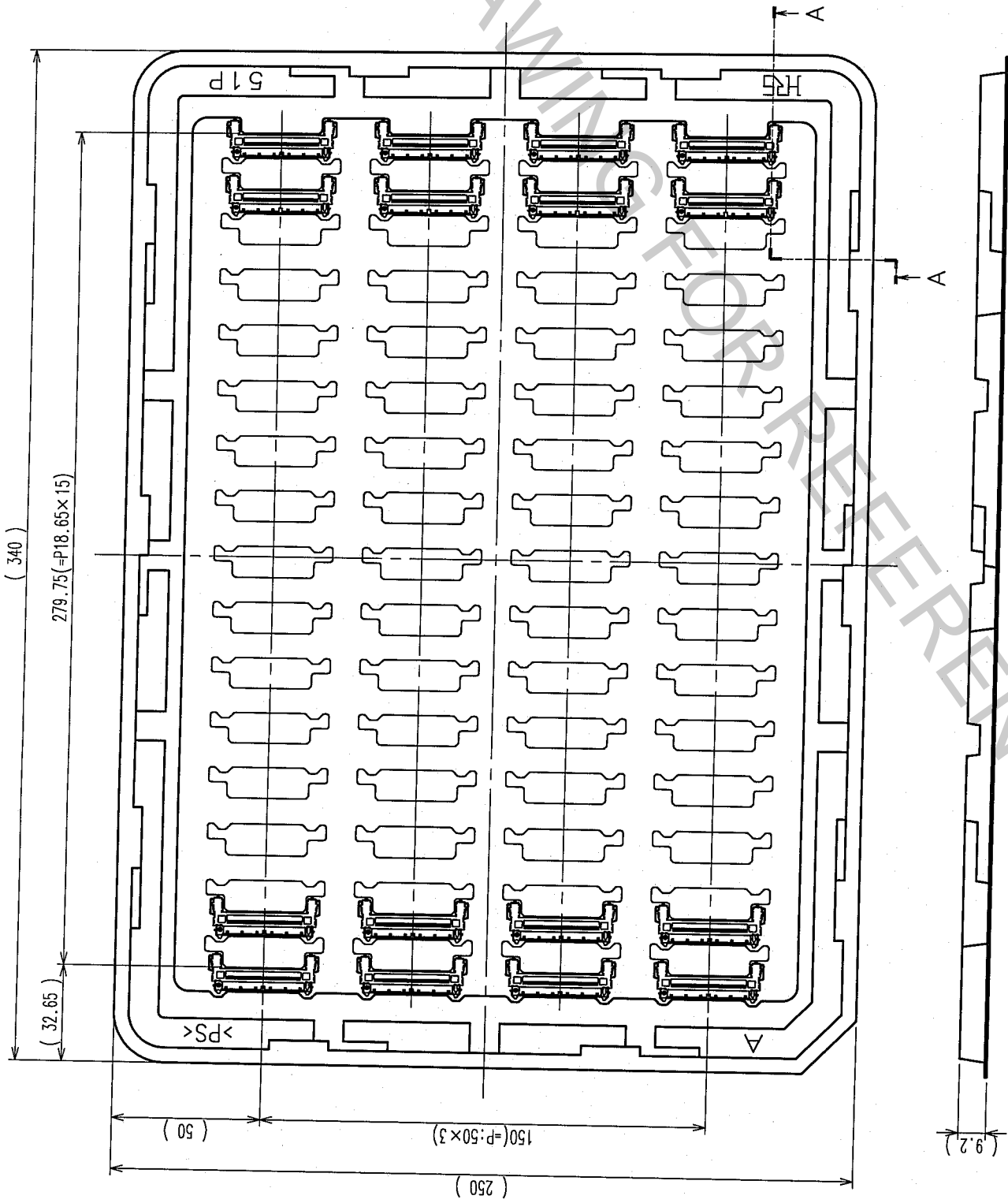
SCALE	UNITS
4 : 1	ITTT

CODE NO.	CL
CL575-2103-8	1/4

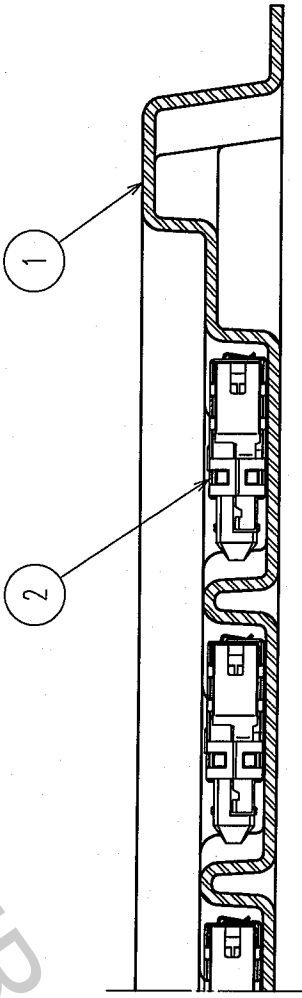
HIROSE ELECTRIC CO., LTD

FORM NO.
0.229

TO



AA (2:1)



NO.	DATE	BY	CHKD	DESCRIPTION OF REVISIONS	COUNT	BY	CHKD	DATE

- NOTE 1. One tray contains 64 connectors.  
 2. Connectors are arranged in tray packaging as shown in the figure.  
 However, either connector surface can be the top.  
 3. ( ) indicates a reference dimension.

1	PS	TRAY	CONNECTOR
NO.	MATERIAL	FINISH, REMARKS	MATERIAL
CODE NO. (OLD)	CL		
DRAWN	DESIGNED	CHECKED	APPROVED
K. SHIBUYA	K. Shibusawa	H. Yamaguchi	H. Okawa
05.08.31	05.08.31	05.08.31	05.09.01
DRAWING NO.		PART NO.	
EDC3-155799		FX15S-51P-C	
SCALE		CODE NO.	
1 : 2		CL575-2103-8	
UNITS		mm	

TO

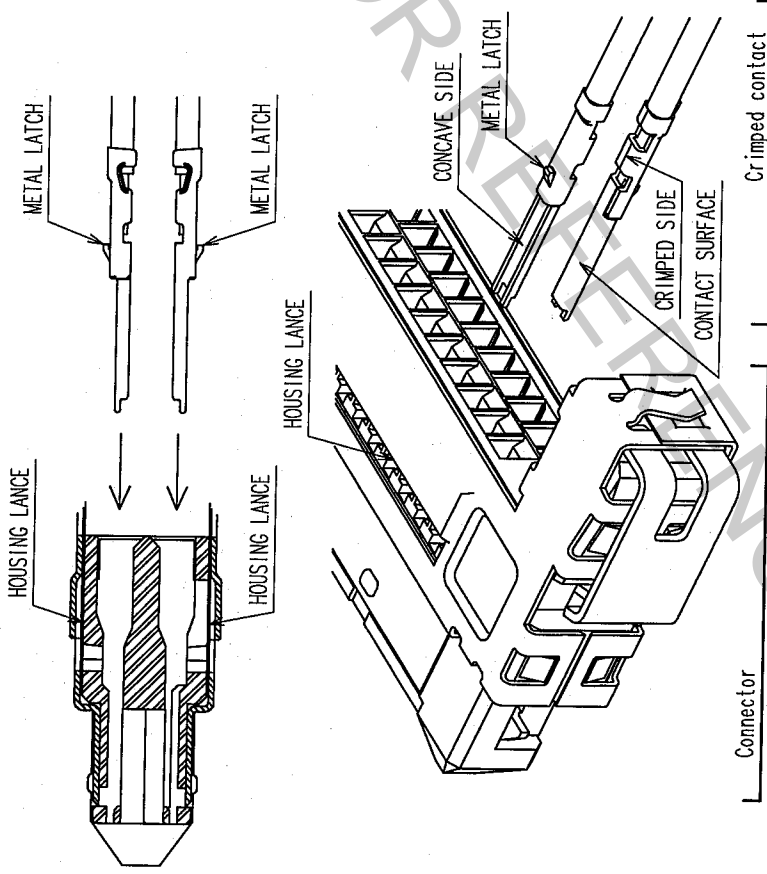
NO.	REVISIONS	DATE	COUNT	DESCRIPTION OF REVISIONS	BY	CHKD	DATE
1	1		1	REVISION			
2	1		1	REVISION			
3	1		1	REVISION			
4	1		1	REVISION			
5	1		1	REVISION			
6	1		1	REVISION			
7	1		1	REVISION			
8	1		1	REVISION			

This connector requires careful handling. Please operate with understanding of the following operation instructions.

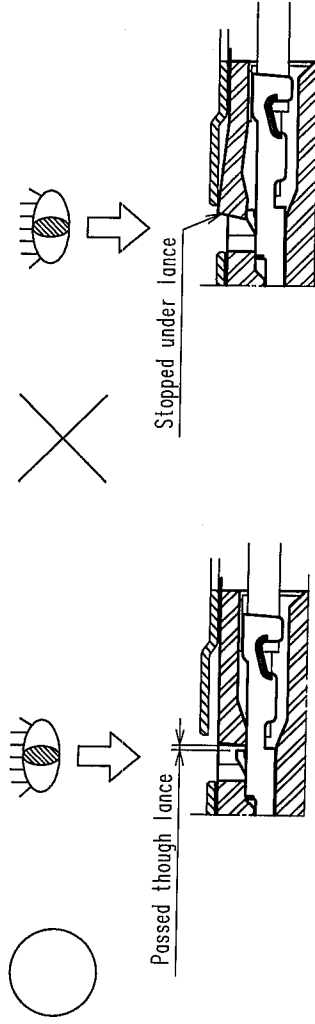
**Cautions for cable assembly**

- ◆ Cable assembly conditions  
It is recommended that prior to starting of the cable termination the following information be obtained from Hirose. All documents may be requested from the nearest Hirose sales office or agency.
  1. Crimping operation basic instruction (Basic information about cable assembly)
  2. Instruction Manual-Contact crimp termination (Description of the press)
  3. Installation Table-Applicator parts (Installation instruction-Applicator)
  4. Table of crimp conditions (Crimp height, Tensile strength)
  5. Manual of Crimp Quality Standards (Bell-mouth dimensions, Bend up/down, Rolling, others)
- Follow the instructions in the documents for proper cable assembly.

- ◆ Crimped contact insertion  
Insert the crimped contacts straight, aligning the faces of the housing lance and the metal latch as shown in the figure. Insertion will not be completed without the alignment. It may also cause the deformation of the crimped contacts or the damage to the housing.

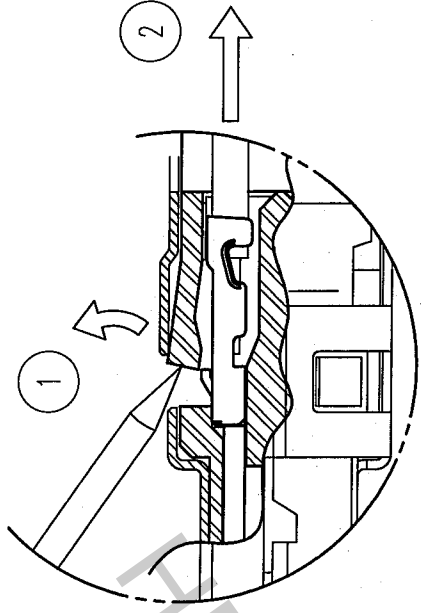


- ◆ Insertion confirmation of crimped contact  
To confirm the proper contact insertion, check the position of the metal latch through the housing lance opening. With the contact properly inserted, the metal latch is positioned where it has completely passed through the housing lance.



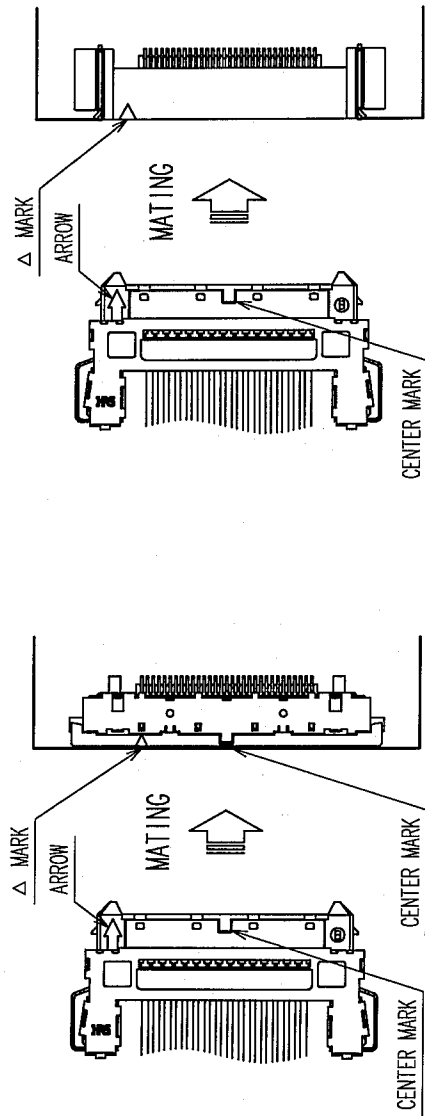
When the cable needs to be pulled for the check, make sure that the applied force is 3 N or lower. Excessive pulling of the cable may damage the housing lance, resulting in the deterioration of the lance retention force.

- ◆ Repair of crimped contacts  
To extract the crimped contact after insertion, pull the cable, with lifting the housing lance with a pointy tool such as a needle. The repair work may have reduced the lance retention force. Therefore, do not reuse the repaired connector. Prepare a new connector.



**Cautions for mating with on-board connector**

- ◆ Insertion to on-board connector  
The connector mating is keyed. Align the marks as shown in the figure for mating. Insert the connector completely until they are locked at both ends. The connectors have a reverse-insertion prevention structure, however, the connectors may be damaged when inserted reversely with the force of 25 N or more. Avoid a forceful insertion, and make sure to confirm that the connectors are aligned with the marks before the mating operation.



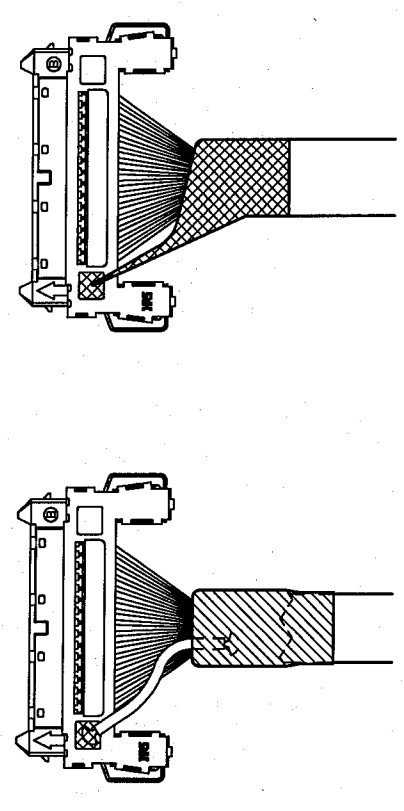
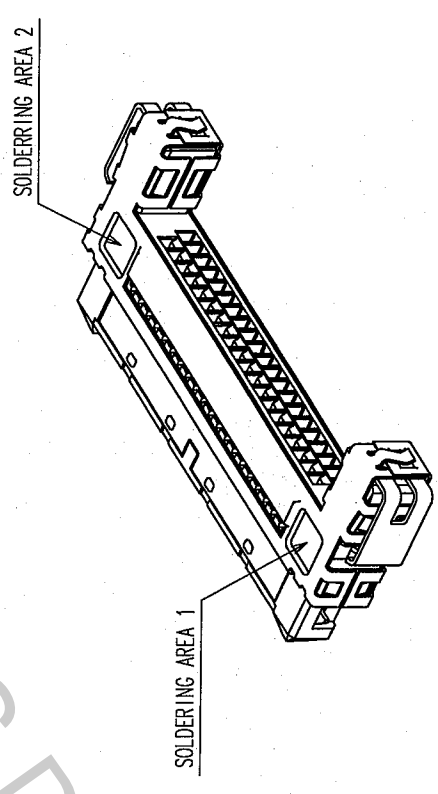
Note: The connectors shown in this "INSTRUCTION MANUAL" are drawn for the instruction purpose, therefore, the appearance differs from the actual connectors. Please confirm the connector configuration on the connector drawing (SHEET 1).

NO.	MATERIAL	FINISH, REMARKS	NO.	MATERIAL	FINISH, REMARKS
CL					
INSTRUCTION MANUAL					
DRAWING NO.		PART NO.		FINISH, APPROVED	
EDC3-155799		FX15S-51P-C		K. Shibuya	
SCALE		DESIGNED		CHECKED	
4 : 1		K. SHIBUYA		H. Okawa	
UNITS		DRAWN		RELEASED	
mm		05.08.31		05.09.01	
		CODE NO.		CODE NO.	
		CL575-2103-8		CL575-2103-8	
		HIROSE ELECTRIC CO., LTD		HIROSE ELECTRIC CO., LTD	

NO.	DATE	BY	CHKD	COUNT	DESCRIPTION OF REVISIONS	BY	CHKD	DATE
1				1	INITIAL INFORMATION			
2				1				
3				1				
4				1				
5				1				
6				1				
7				1				
8				1				

**Cautions for soldering**

- ◆ Grounding method of cable shield  
The cable shield and ground wire can be connected to the connector by soldering. Make sure to solder properly, following the cautions below.
- 1. Solder the wire to the connector at the recommended area.  
Note that the soldering out of the recommended area may effect the product performance.
- 2. Follow the temperature of the soldering tip and the time of soldering specified in the product specification sheet.
- 3. Avoid applying excessive stress to the connector during soldering with the soldering tip.
- 4. Take a caution for the flux desortion from wire soldering.  
The flux attached at the contact area may cause a contact failure.



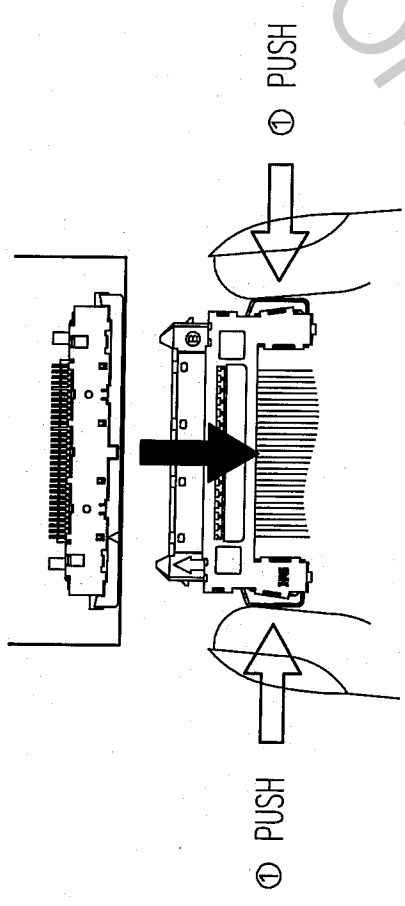
Note: The connectors shown in this "INSTRUCTION MANUAL" are drawn for the instruction purpose, therefore, the appearance differs from the actual connectors. Please confirm the connector configuration on the connector drawing (SHEET 1).

NO.	MATERIAL	FINISH, REMARKS	NO.	MATERIAL	FINISH, REMARKS
CL					
INSTRUCTION MANUAL			DRAWN	DESIGNED	CHECKED
			K.SHIBUYA	K.Shibuya	H.Okawa
			05.08.31	05.08.31	05.09.01
DRAWING NO.		PART NO.			
EDC3-155799		FX15S-51P-C			
SCALE	UNITS				
4 : 1	mm				
HIROSE ELECTRIC CO., LTD		CODE NO.			
CL575-2103-8		PART NO.			
		FX15S-51P-C			
		CODE NO.			
		CL575-2103-8			

- ◆ After mating  
Carefully wire cables, so that excessive force will not be applied to the mated connectors. Especially, pulling a single cable with the force of 5 N or more may cause the cable (crimped contact) to fall out. Also, pulling a whole set of cables with the force of 20 N or more may damage the connectors. Take a caution to avoid pulling the cables.

- ◆ Withdrawal from on-board connector  
The connectors are locked while they are mated. In order to unmate the connectors, pull the connector straight, with releasing the lock by pushing both sides of the connector. At this time, do not pull the cable. Also, avoid the withdrawal in angle, which may damage the connectors.

<Proper withdrawal>



<Improper withdrawal>

