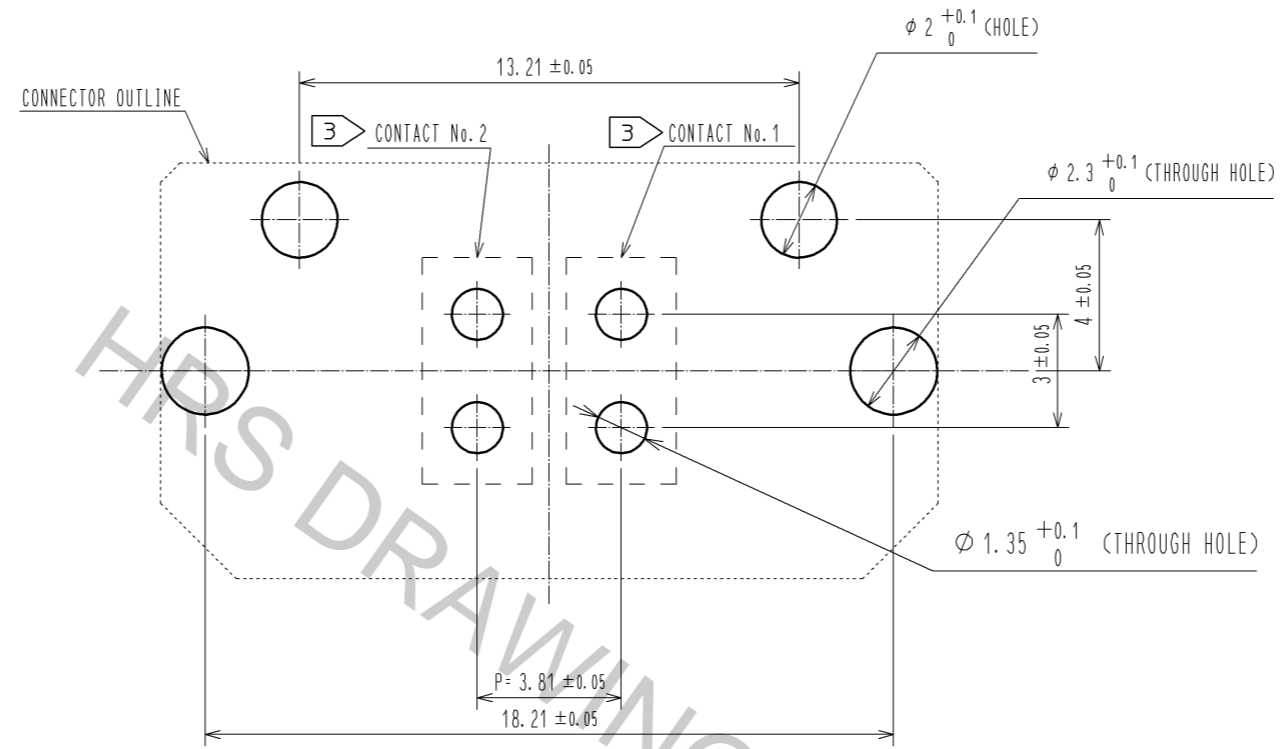


- NOTE
- THIS PRODUCT IS PACKAGED IN TRAY. (49pcs/TRAY)
 - BLEMISH AND HIT MARK CAN BE OCCURED THROUGH OUT THE MANUFACTURING PROCESS WHICH DOESN'T AFFECT QUALITY LEVEL. ALSO, BLACK SPOT COULD BE OBSERVED ON THE SURFACE OF HOUSING.
 - FOR THE CONTACT NO., ADJACENT TWO PAIRS OF LEADS PLACED BACK-TO-BACK (4 LEADS IN TOTAL) COMPOSE ONE LINE.
 - MISALIGNMENT ABSORBING RANGE: ± 0.3 mm max.
 - THE DIMENSION IN PARENTHESES ARE FOR REFERENCES.
 - LOT NO. IS INDICATED AT EITHER ONE OF THE POSITION AS SHOWN.

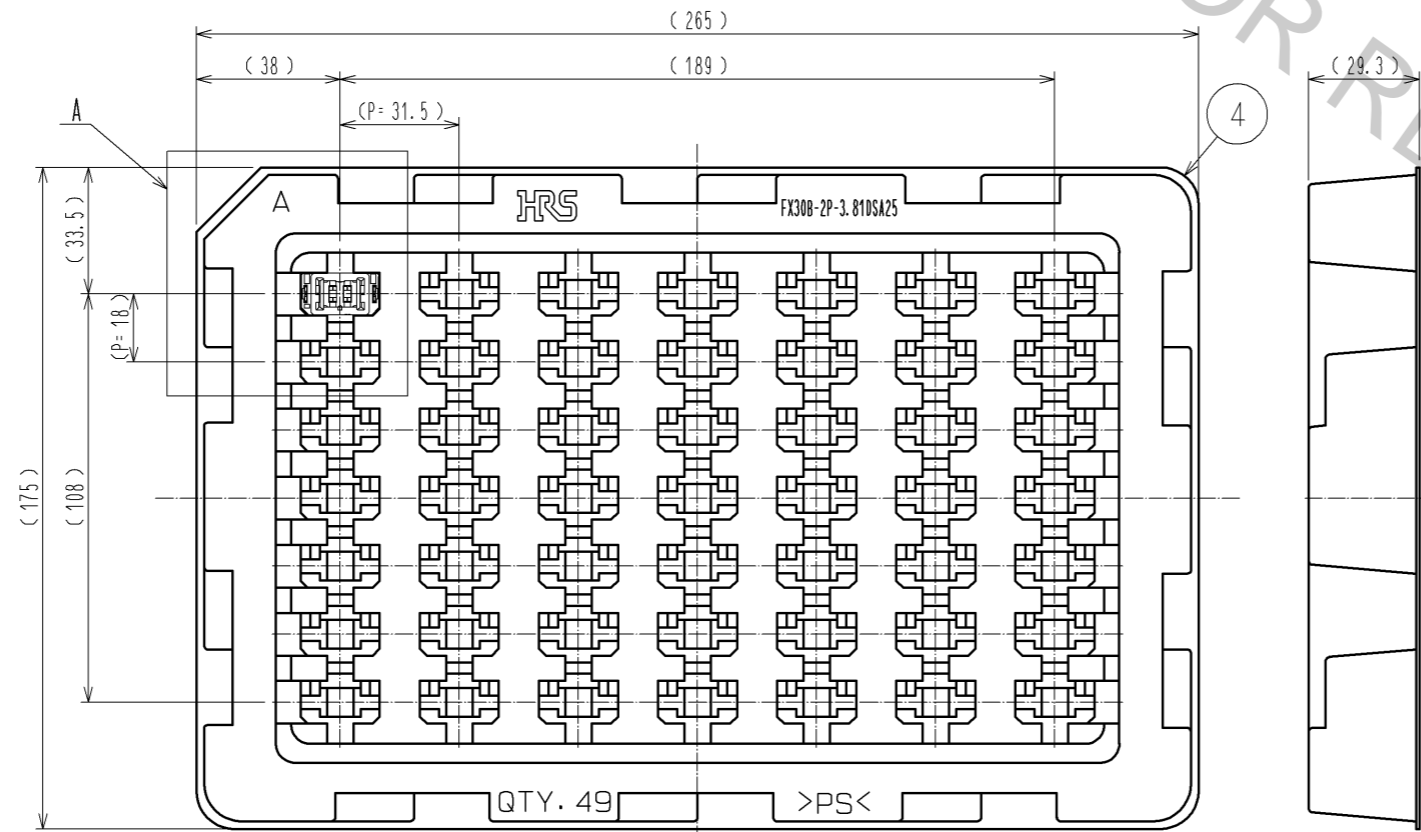
2	COPPER ALLOY	CONTACT AREA:GOLD-PLATING $0.1 \mu\text{m}$	4	POLYSTYRENE	
		LEAD AREA:TIN-PLATING $1.0 \mu\text{m}$			
		UNDER PLATING:NICKEL $1.0 \mu\text{m}$	3	PHOSPHOR BRONZE	TIN-PLATING $3.0 \mu\text{m}$
1	POLYAMIDE	BLACK UL94V-0			UNDER PLATING:NICKEL $1.0 \mu\text{m}$
NO.	MATERIAL	FINISH . REMARKS	NO.	MATERIAL	FINISH . REMARKS
UNITS mm		SCALE 2 : 1	COUNT 	DESCRIPTION OF REVISIONS	DESIGNED
				APPROVED : HS. OKAWA 13. 03. 07	CHECKED
				CHECED : KI. HIROKAWA 13. 03. 07	DATE
				DESIGNED : DK. AIMOTO 13. 03. 07	DRAWING NO. EDC3-347259-00
				DRAWN : DK. AIMOTO 13. 03. 07	PART NO. FX30B-2P-3. 81DSA25
					CODE NO. CL570-3200-8-00

Oct.1.2018 Copyright 2018 HIROSE ELECTRIC CO., LTD. All Rights Reserved.
 In case that the application demands a high level of reliability, such as automotive,
 please contact a company representative for further information.

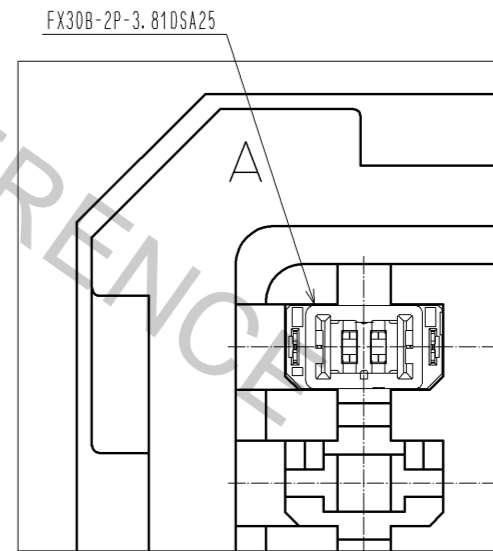
RECOMMENDED HOLE PATTERN DIMENSION OF PCB(5:1)
 (CONNECTOR MOUNTING SIDE, PCB THICKNESS:t=1.6mm)



1 DRAWING FOR PACKAGING(1:2)



A(1:1)



HRS	DRAWING NO.	EDC3-347259-00		2/2
	PART NO.	FX30B-2P-3.81DSA25		
	CODE NO.	CL570-3200-8-00		