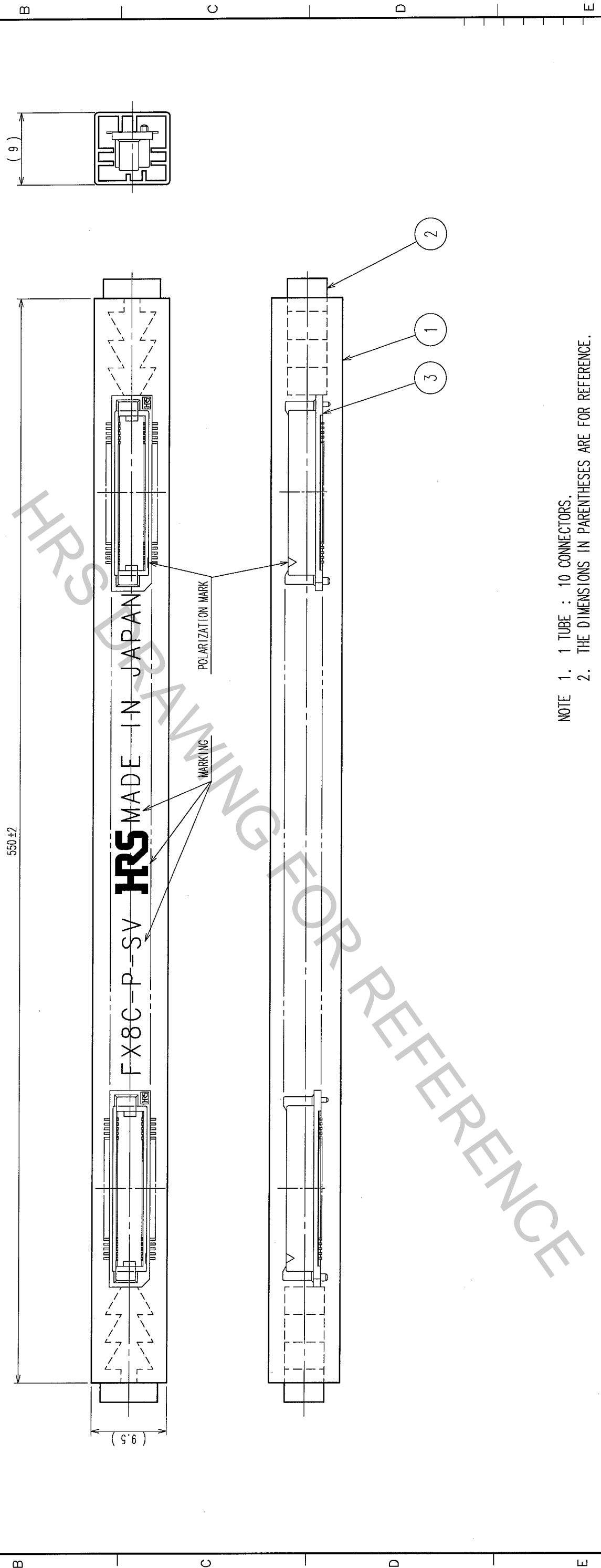


In case that the application demands a high level of reliability, such as automotive, please contact a company representative for further information.

NO.	DATE	BY	CHKD	DATE	COUNT	DESCRIPTION OF REVISIONS	BY	CHKD	DATE
1					1				
2					1				
3					1				
4					1				
5					1				



NOTE 1. 1 TUBE : 10 CONNECTORS.
 2. THE DIMENSIONS IN PARENTHESES ARE FOR REFERENCE.

2 POLYVINYL CHLORIDE (STOPPER)		3 (CONNECTOR)	
NO.	MATERIAL	FINISH, REMARKS	FINISH, REMARKS
1	POLYVINYL CHLORIDE	(TUBE)	(TUBE)
CODE NO. (OLD)		CL	
DRAWN		DESIGNED	CHECKED
K. NAKAMURA		K. NAKAMURA	K. NAKAMURA
05.12.09		05.12.09	05.12.12
DRAWING NO.		PART NO.	
EDC3-150825-21		FX8C-140P-SV(91)	
SCALE	FREE	APPROVED	
UNITS	MM	RELEASED	
		H. Okawa	
		05.12.12	
		CODE NO.	
		CL578-0507-5-91	
		2	

TO	
PCK	