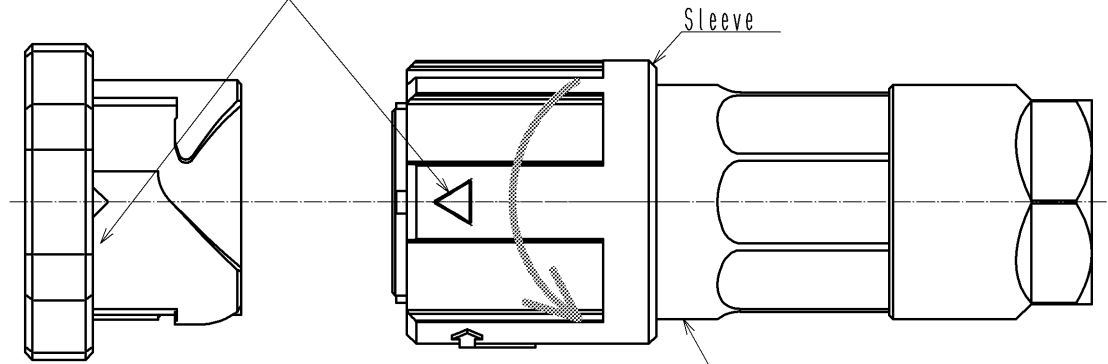


Oct.1.2018 Copyright 2018 HIROSE ELECTRIC CO., LTD. All Rights Reserved.
 In case that the application demands a high level of reliability, such as automotive,
 please contact a company representative for further information.

How to attach the cap Before attachment

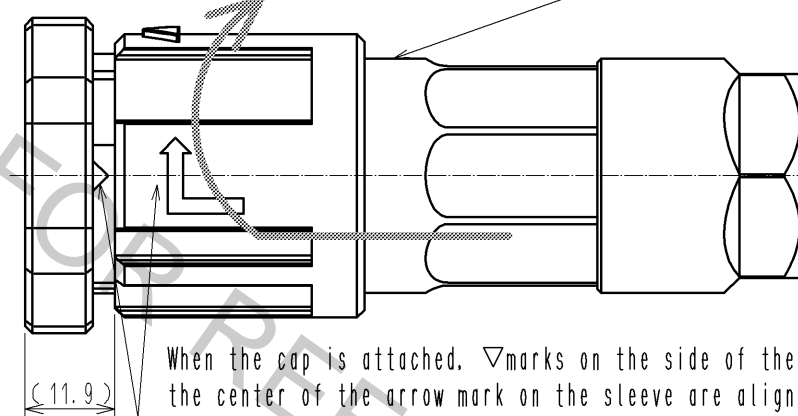
Make sure that the plug sleeve is rotated to the direction show with the arrow.
 Aline ▽marks on the plug sleeve and the cap for attachment.



Attachment completed

Applicable connectors
 HR41-25WBP*-SC(**)

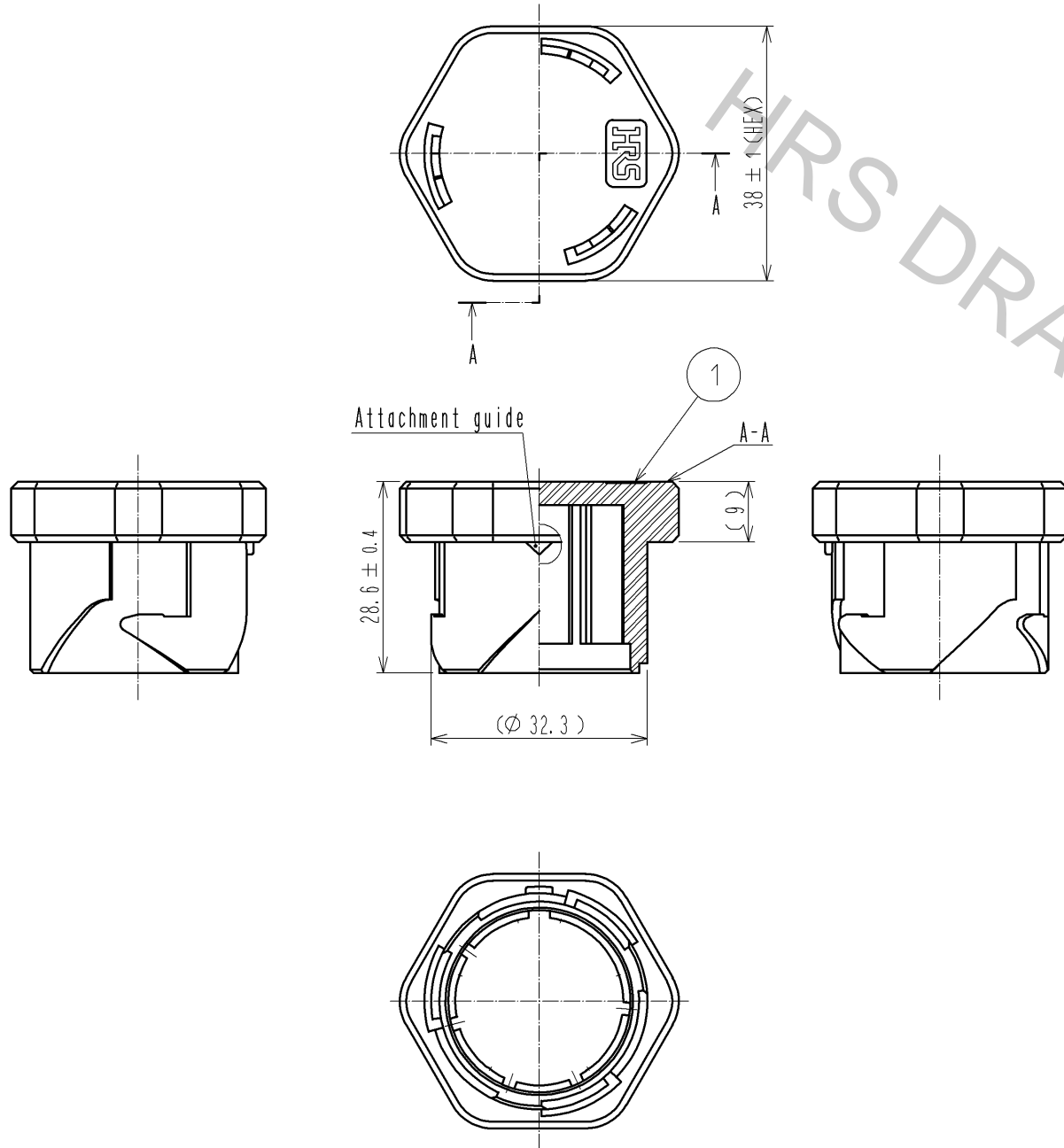
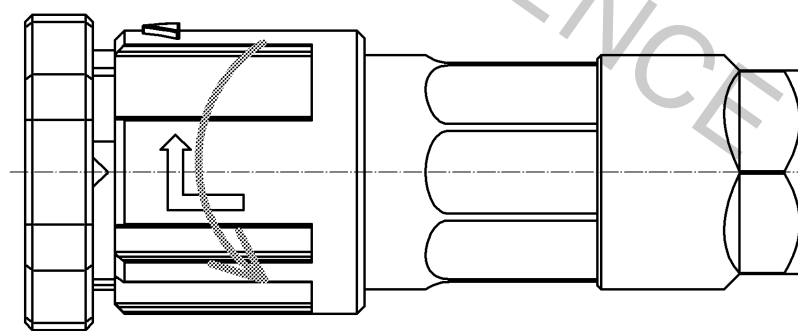
Rotate to lock after while pushing-in.



When the cap is attached, ▽marks on the side of the cap and
 the center of the arrow mark on the sleeve are aligned in the same line.

Removal

Rotate the plug sleeve to the direction as shown below with the arrow
 to unlock and remove the cap.



1	Polyamide	(Black) UL94V-0							
NO.	MATERIAL	FINISH . REMARKS	NO.	MATERIAL	FINISH . REMARKS	DESIGNED	CHECKED	DATE	
UNITS mm		SCALE 1 : 1	COUNT △	DESCRIPTION OF REVISIONS			DESIGNED	CHECKED	DATE
APPROVED : SU. OBARA			13.01.31	DRAWING NO.			EDC3-118049-00		
CHECKED : HY. KOBAYASHI			13.01.31	PART NO.			HR41-25WBP-C		
DESIGNED : YS. SAKODA			13.01.22	CODE NO.			CL141-0021-4-00		
DRAWN : YS. SAKODA			13.01.22				△ 1/1		