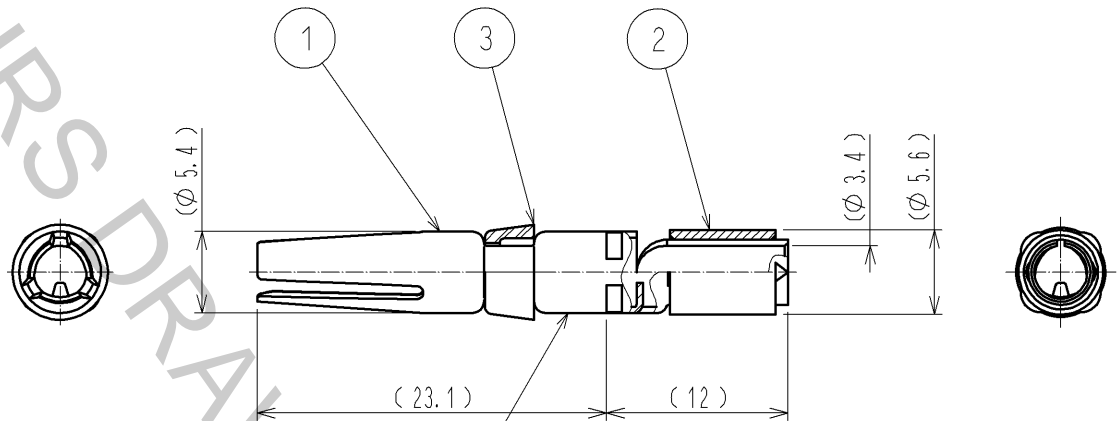


Oct.1.2018 Copyright 2018 HIROSE ELECTRIC CO., LTD. All Rights Reserved.
 In case that the application demands a high level of reliability, such as automotive,
 please contact a company representative for further information.



MARKING POSITION OF APPLICABLE WIRE SIZE '10'

- NOTES
- 1 APPLICABLE CRIMPING TOOL: JIS C 9711 (COMPRESSION TOOLS FOR WIRE CONNECTORS OF INTERIOR WIRING)
 APPLICABLE DIE SIZE: 5.5
 - 2 APPLICABLE EXTRACTION TOOL: HR41-TP
 - 3 ONE BAG INCLUDES 3PCS OF PRODUCTS.
 - 4 PLATING (REF. NO. ①)
 CONTACT AREA: GOLD 0.76 μm min.
 TERMINAL AREA: TIN 1 μm min.
 OTHERS: NIKEL 2 μm min.

2	COPPER	TIN PLATING						
1	COPPER ALLOY	4	3	POLYBUTYLENE TEREPHTHALATE	(WHITE) UL94V-0			
NO.	MATERIAL	FINISH	REMARKS	NO.	MATERIAL	FINISH	REMARKS	
UNITS mm		SCALE 2 : 1	COUNT 	DESCRIPTION OF REVISIONS		DESIGNED	CHECKED	DATE
HIROSE ELECTRIC CO., LTD.	APPROVED	: SU. OBARA	12. 03. 15	DRAWING NO.	EDC4-117433-01			
	CHECKED	: SU. OBARA	12. 03. 15	PART NO.	HR41-SC-111(01)			
	DESIGNED	: HT. ZENBA	12. 03. 14	CODE NO.	CL141-0001-7-01			
	DRAWN	: HT. ZENBA	12. 03. 14		1/1			