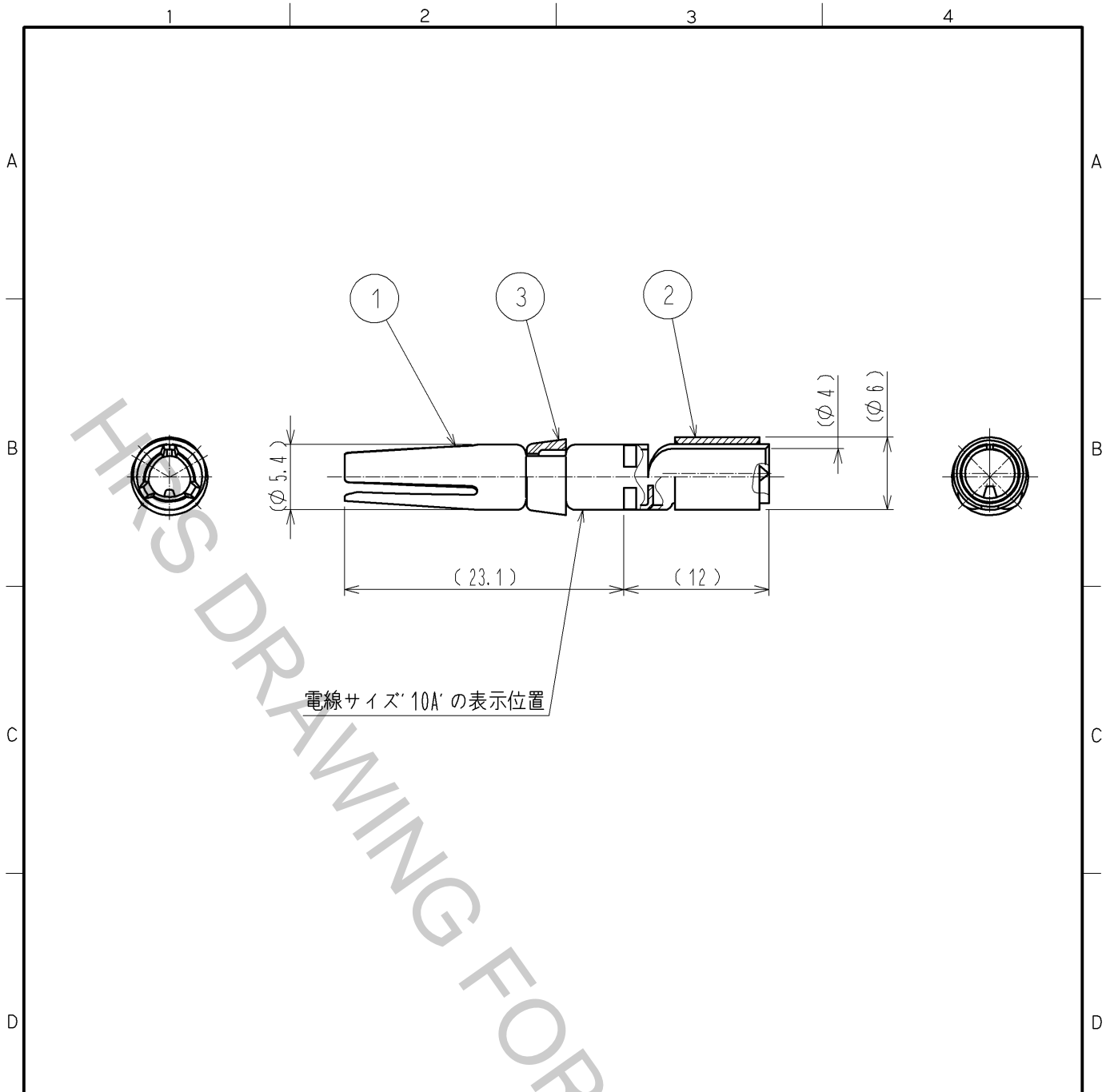


Oct.1.2018 Copyright 2018 HIROSE ELECTRIC CO., LTD. All Rights Reserved.
 In case that the application demands a high level of reliability, such as automotive,
 please contact a company representative for further information.



- NOTES
- 1 APPLICABLE CRIMPING TOOL: JIS C 9711 (COMPRESSION TOOLS FOR WIRE CONNECTORS OF INTERIOR WIRING)
 APPLICABLE DIE SIZE: 5.5
 - 2 APPLICABLE EXTRACTION TOOL: HR41-TP
 - 3 ONE BAG INCLUDES 3PCS OF PRODUCTS.
 - 4 PLATING (REF. NO. ①)
 CONTACT AREA: GOLD 0.2 μm min.
 TERMINAL AREA: TIN 1 μm min.
 OTHERS: NICKEL 2 μm min.
- ⚠ (DELETED)

2	COPPER	TIN PLATING						
1	COPPER ALLOY	4	3	POLYBUTYLENE TEREPHTHALATE	(WHITE) UL94V-0			
NO.	MATERIAL	FINISH	REMARKS	NO.	MATERIAL	FINISH	REMARKS	
UNITS mm		SCALE 2 : 1	COUNT 1	DESCRIPTION OF REVISIONS DIS-C-002929		DESIGNED KN. IKEHARA	CHECKED HY. KOBAYASHI	DATE 13. 09. 26
HRS HIROSE ELECTRIC CO., LTD.	APPROVED : SU. OBARA	13. 01. 18	DRAWING NO. EDC4-117588-00					
	CHECKED : HY. KOBAYASHI	13. 01. 18	PART NO. HR41-SC-141					
	DESIGNED : TY. SUZUKI	13. 01. 18	CODE NO. CL141-0008-6-00					
	DRAWN : KN. IKEHARA	13. 01. 15						