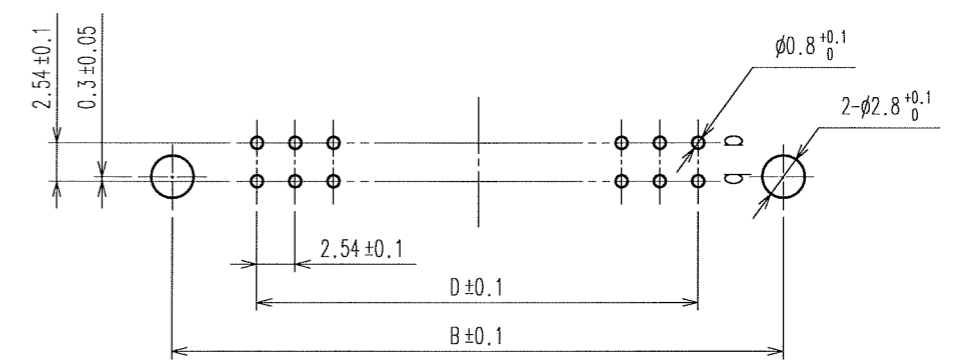
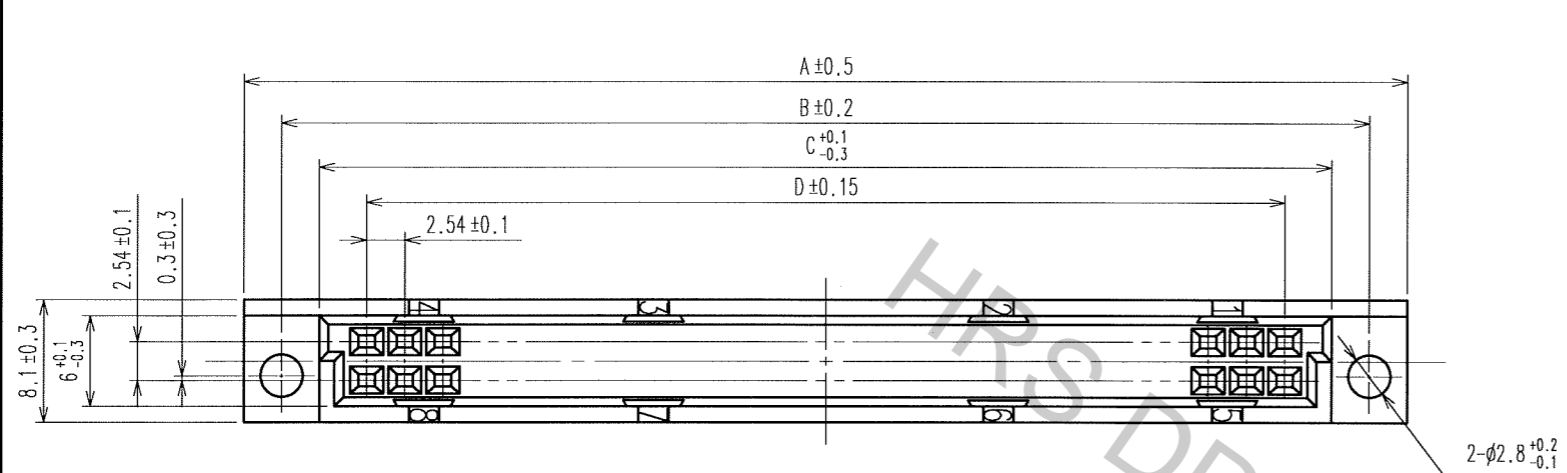
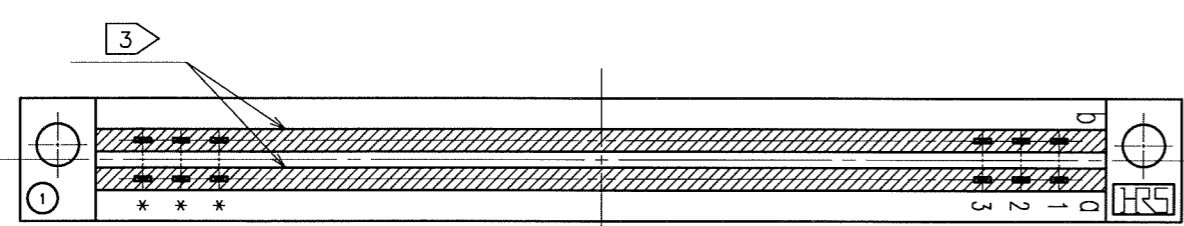
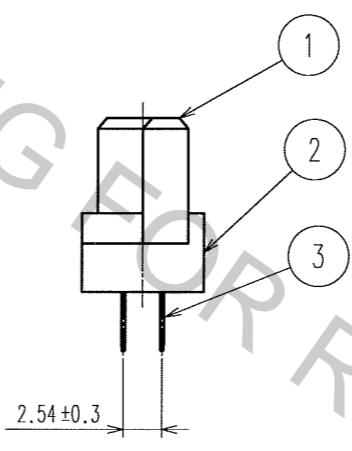
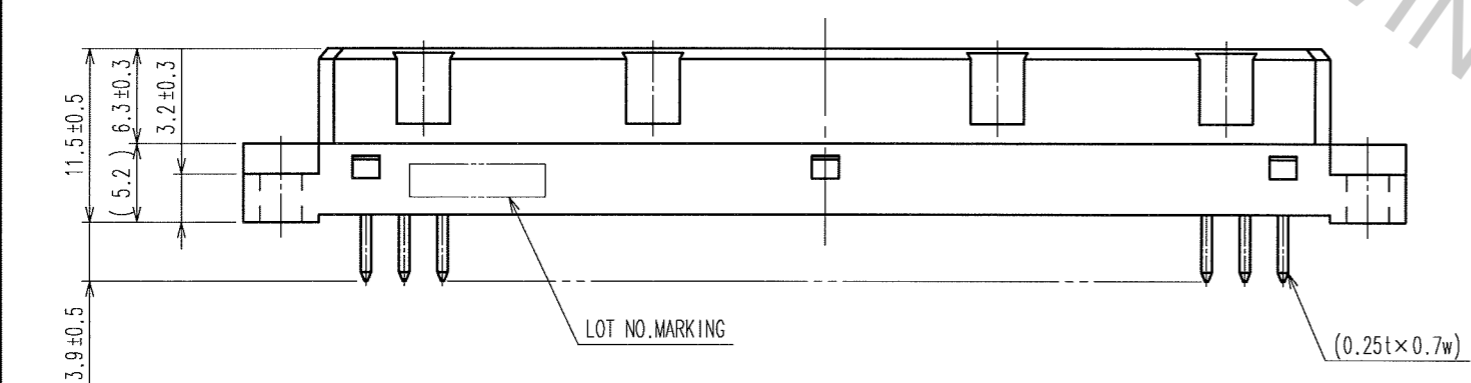


Oct.1.2018 Copyright 2018 HIROSE ELECTRIC CO., LTD. All Rights Reserved.  
 In case that the application demands a high level of reliability, such as automotive,  
 please contact a company representative for further information.

COUNT	DESCRIPTION OF REVISIONS	BY	CHKD	DATE	COUNT	DESCRIPTION OF REVISIONS	BY	CHKD	DATE
△					△				
△					△				
△					△				



RECOMMENDED P.C.B HOLE PATTERN (t=1.6±0.1)



HRS No.	PART NO.	NUMBER OF CONTACT	A	B	C	D
583-0226-1-72	PCN10C-16S-2.54DSA(72)	16	34.04	29.04	24.04	17.78
583-0079-9-72	PCN10C-20S-2.54DSA(72)	20	39.12	34.12	29.12	22.86
583-0033-8-72	PCN10C-32S-2.54DSA(72)	32	54.36	49.36	44.36	38.10
583-0034-0-72	PCN10C-44S-2.54DSA(72)	44	69.60	64.60	59.60	53.34
583-0035-3-72	PCN10C-50S-2.54DSA(72)	50	77.22	72.22	67.22	60.96
583-0036-6-72	PCN10C-64S-2.54DSA(72)	64	95.00	90.00	85.00	78.74
583-0037-9-72	PCN10C-90S-2.54DSA(72)	90	128.02	123.02	118.02	111.76
583-0112-2-72	PCN10C-100S-2.54DSA(72)	100	140.72	135.72	130.72	124.46

NOTES 1 AS FOR JULY, 2005.  
 2 THE DIMENSION IN PARENTHESIS IS FOR REFERENCE.  
 3 EPOXY RESIN FOR FLUX MIGRATION PREVENTION IS FILLED AT THE INDICATED POSITION.

3	COPPER ALLOY	(CONTACT AREA) Ni1μm+Au0.2μm (DIP AREA) Ni1μm+Sn1μm
1,2	PBT	GRAY UL94V-0
NO.	MATERIAL	FINISH, REMARKS

CODE NO. (OLD) CL	DRAWN H.Saitou 05.07.19	DESIGNED H.Saitou 05.07.19	CHECKED <i>S. Tomikawa</i> 05.07.20	APPROVED <i>K. Hayama</i> 05.07.21	RELEASED .
SCALE 2 : 1 UNITS mm	DRAWING NO. EDC3-154678-01		PART NO. PCN10C-***S-2.54DSA(72)		
	HRS HIROSE ELECTRIC CO., LTD		CODE NO. CL583	1/1	

TO  
PCK