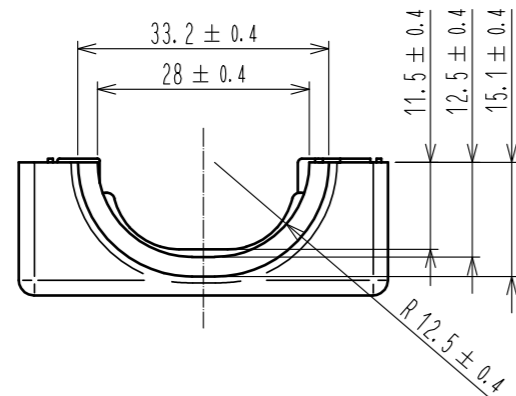
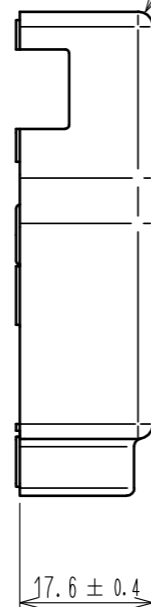
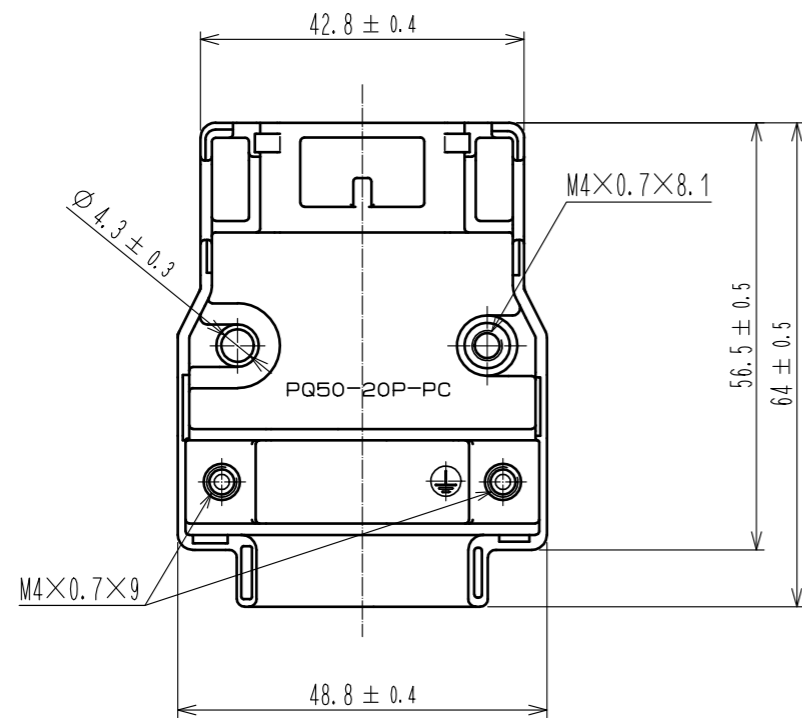
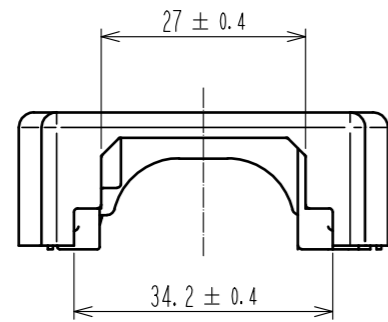
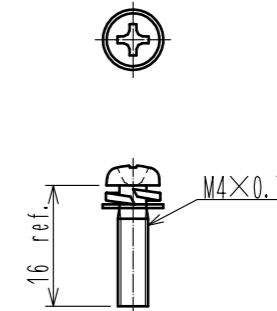


Oct.1.2018 Copyright 2018 HIROSE ELECTRIC CO., LTD. All Rights Reserved.
 In case that the application demands a high level of reliability, such as automotive,
 please contact a company representative for further information.

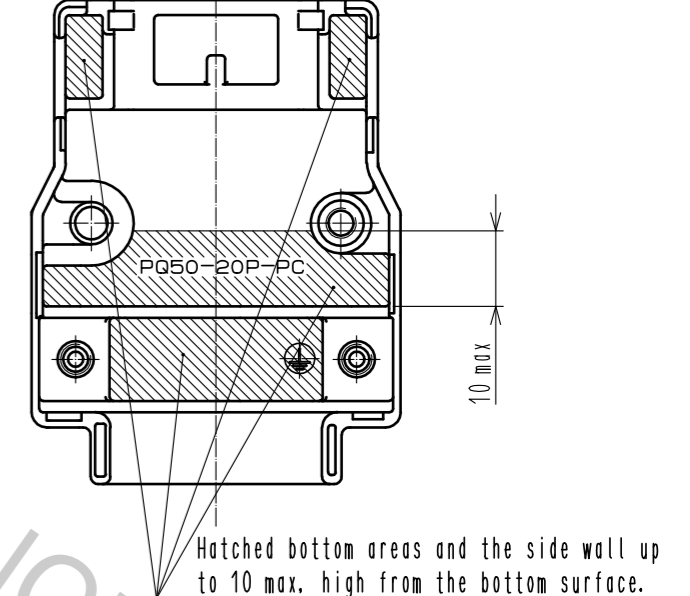
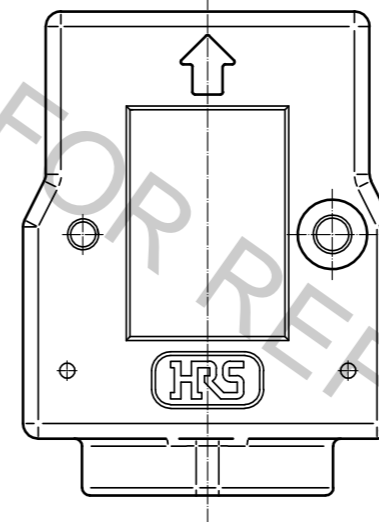


② Attachment

JIS B 1188 : Cross recessed need screws with captive washer
 M4×0.7×16



③ Electrode touched area for rack plating



- Note 1. Refer to ETAD-E 2925 for the applicable components assembled with this product.
 2. Swelling max 1.2mm dia. and 0.15mm height could appear on the surface due to die-casting, but it doesn't affect the performance.
 ③ The color of hatched area could be different due to the rack plating process, touching the electrodes to the specified area, but it doesn't affect the performance.

1	ZDC2	Surface plating : Nickel 2µm min Under plating : Copper 7µm min	2	Steel	Surface plating : Nickel 2µm min Under plating : Copper 3µm min			
NO.	MATERIAL	FINISH . REMARKS	NO.	MATERIAL	FINISH . REMARKS			
UNITS mm		SCALE 1 : 1		COUNT	DESCRIPTION OF REVISIONS	DESIGNED	CHECKED	DATE
HRS HIROSE ELECTRIC CO., LTD.		APPROVED : NM. NISHIMATSU	17.01.25	DRAWING NO. EDC-126914-01-00				
		CHECKED : NM. NISHIMATSU	17.01.25	PART NO. PQ50-20P-PCC(01)				
		DESIGNED : MO. SHIMOYAMA	17.01.25	CODE NO. CL236-2000-8-01				
		DRAWN : JY. IGA	17.01.25					