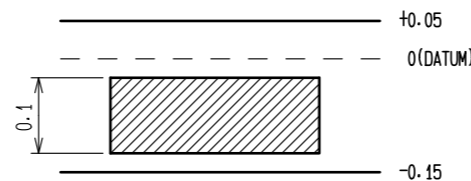
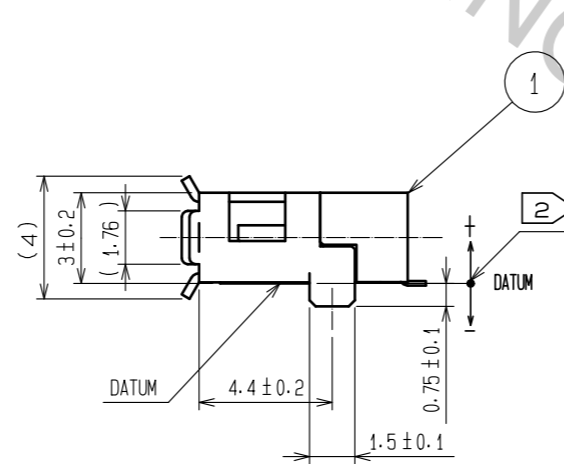
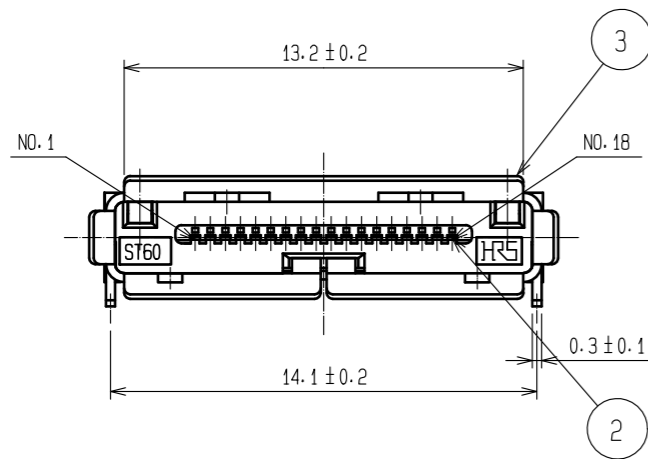
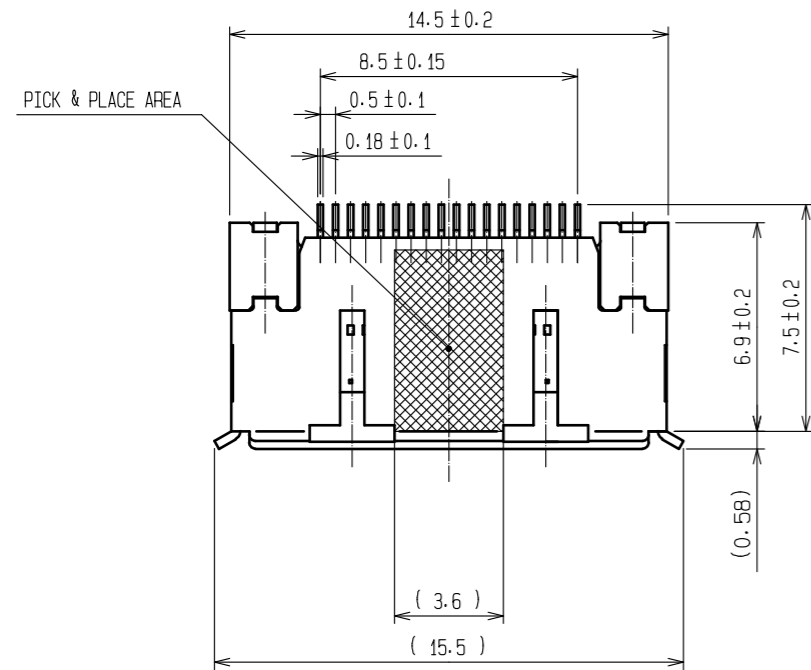
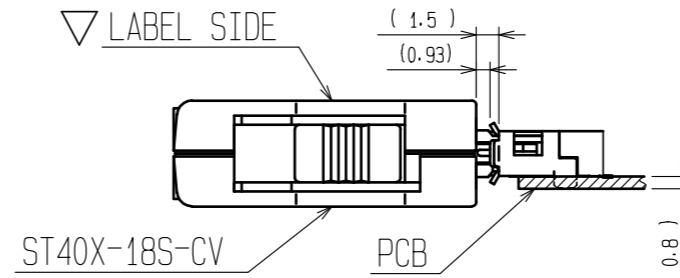


Oct.1.2018 Copyright 2018 HIROSE ELECTRIC CO., LTD. All Rights Reserved.
 In case that the application demands a high level of reliability, such as automotive,
 please contact a company representative for further information.



PATTERN OF MOUNTING PLUG (2:1)



RECOMMENDED PC BOARD HOLE PATTERN (2:1)

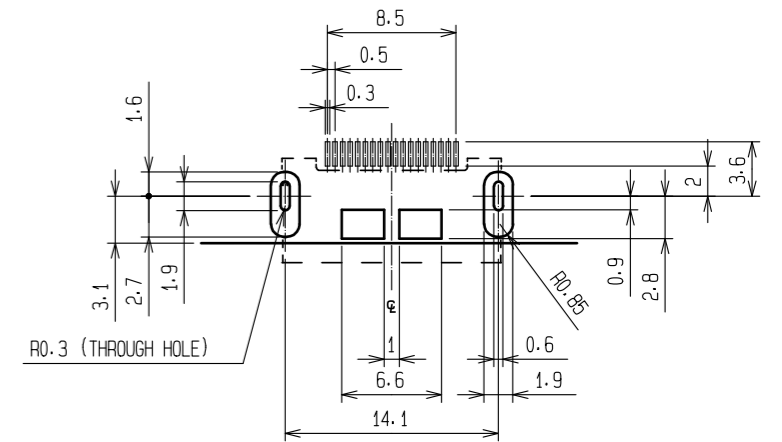
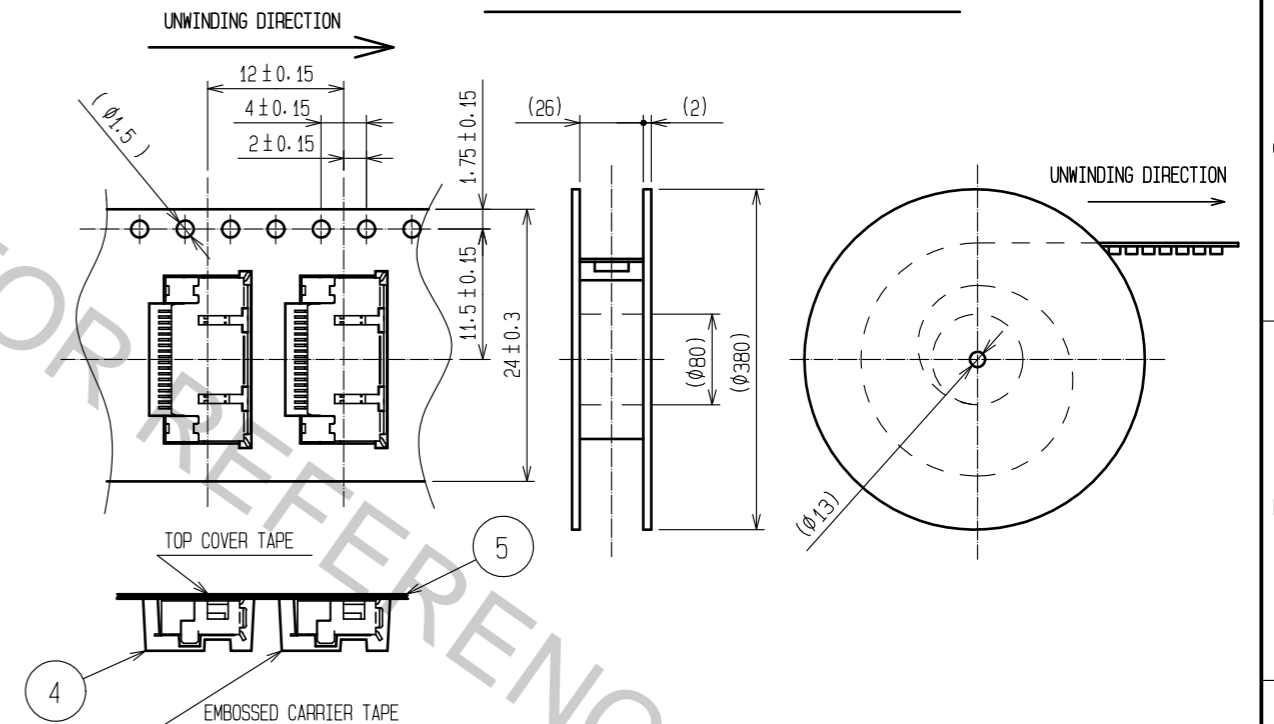


FIGURE FOR PAKAGING (FREE)



- NOTE 1 1REEL:1500 PIECES.
 1REEL CONSISTS OF 1500 PIECES FOR SALE.
- 2 CO-PLANARITY SPECIFICATION AS FIG SHOWN IN THE RIGHT.
 - 3 PLATING
 CONTACT AREA GOLD 0.2µm min.
 LEAD AREA GOLD FLASH.
 UNDER PLATING NICKEL 2µm.
 - 4 PLATING
 SURFACE AREA TIN 2µm min.
 UNDER PLATING NICKEL 0.2µm min.

2	COPPER ALLOY	3	5	PS	TOP COVER TAPE
1	LCP-M	COLOR BLACK UL94V-0	4	PS	EMBOSSED CARRIER TAPE
			3	STAINLESS STEEL	4
NO.	MATERIAL	FINISH . REMARKS	NO.	MATERIAL	FINISH . REMARKS
UNITS	mm	SCALE	4 : 1	COUNT	△
APPROVED : NM. NISHIMATSU		15.10.27		DRAWING NO. EDC-123731-30-00	
CHECKED : KN. ICHIKAWA		15.10.27		PART NO. ST60-18P(30)	
DESIGNED : TS. ITO		15.10.27		CODE NO. CL241-0011-9-30	
DRAWN : AK. AKIYAMA		15.10.27			