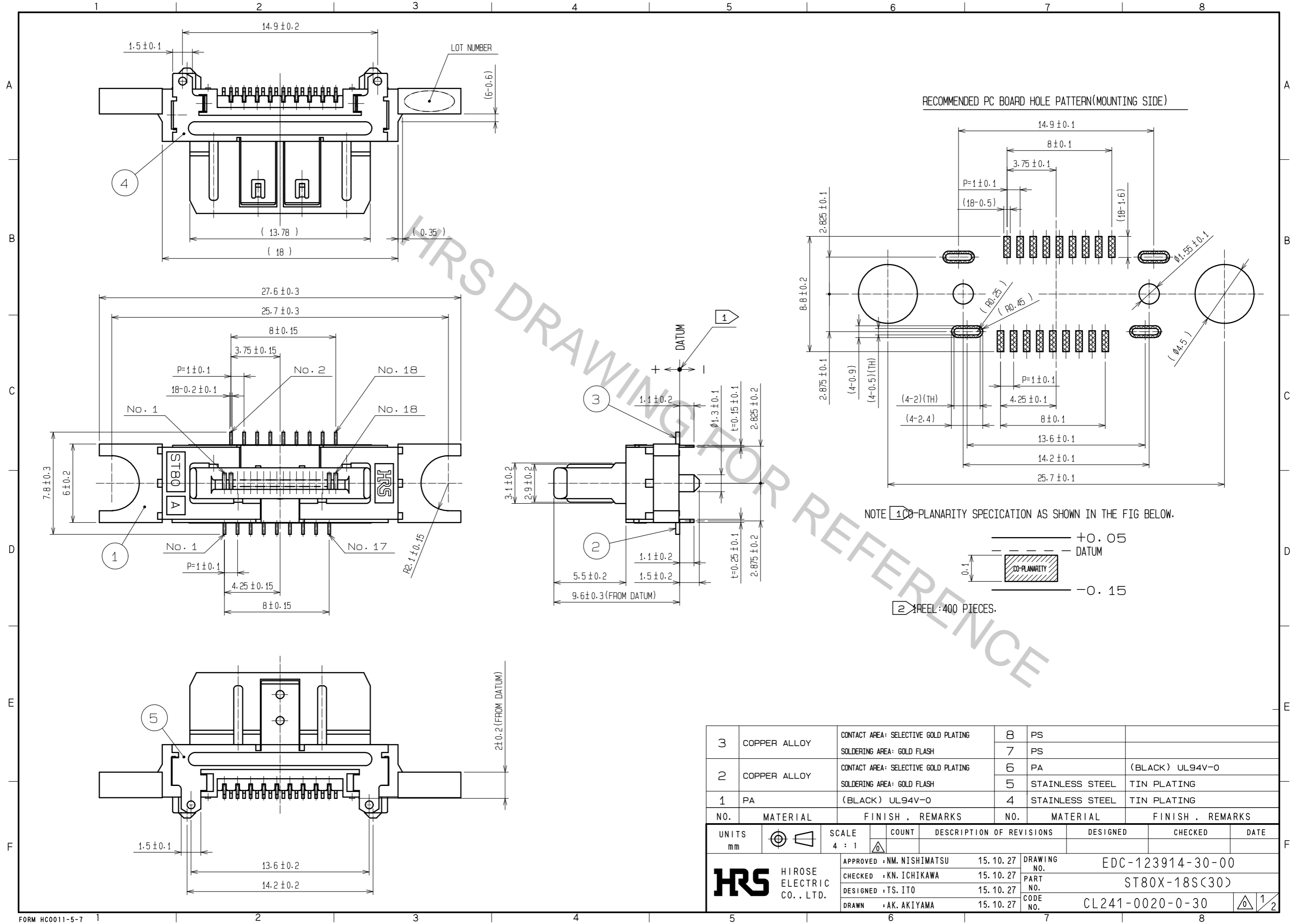
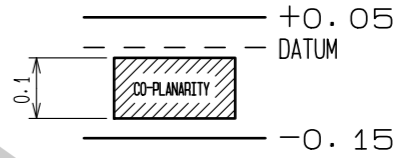


Oct.1.2018 Copyright 2018 HIROSE ELECTRIC CO., LTD. All Rights Reserved.  
 In case that the application demands a high level of reliability, such as automotive,  
 please contact a company representative for further information.



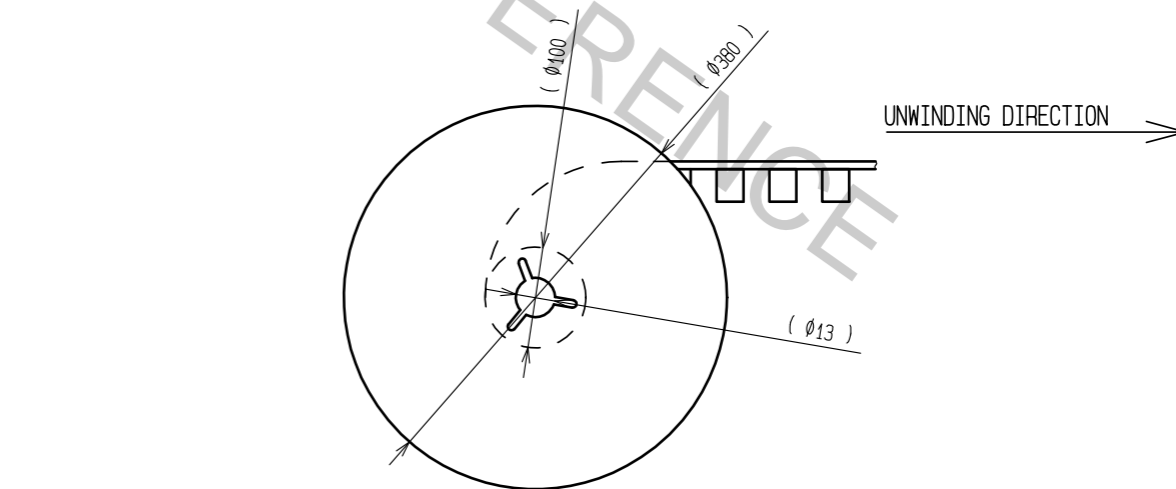
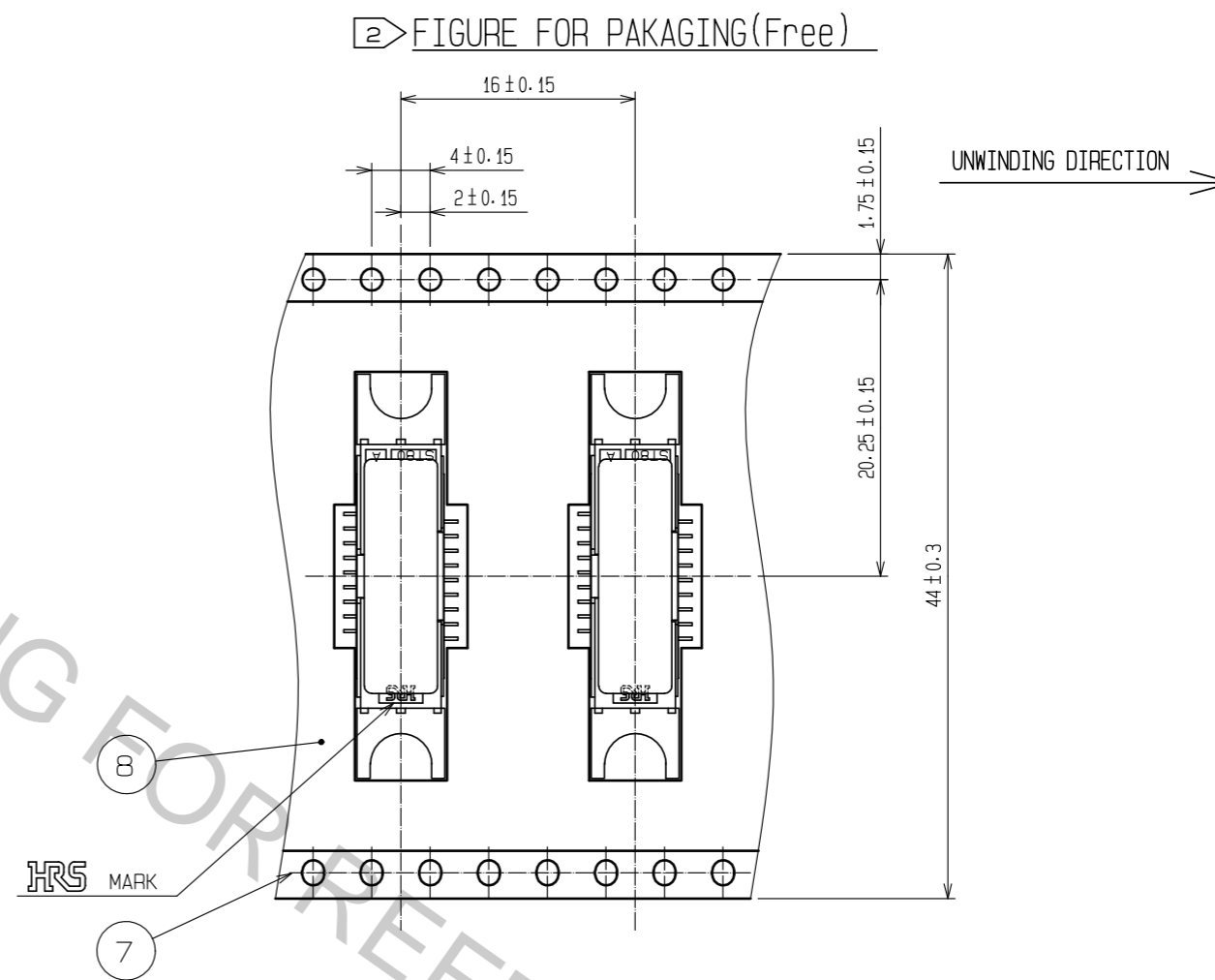
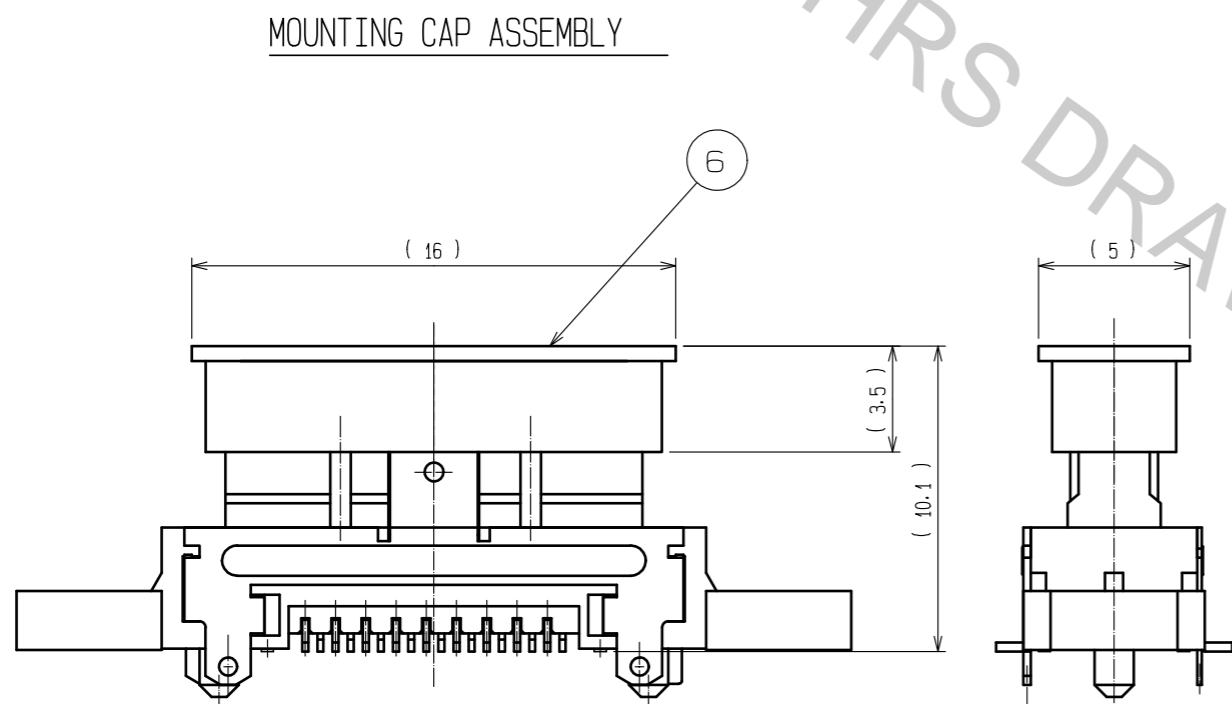
NOTE 1 CO-PLANARITY SPECIFICATION AS SHOWN IN THE FIG BELOW.



2 REEL: 400 PIECES.

3	COPPER ALLOY	CONTACT AREA: SELECTIVE GOLD PLATING SOLDERING AREA: GOLD FLASH	8	PS	
2	COPPER ALLOY	CONTACT AREA: SELECTIVE GOLD PLATING SOLDERING AREA: GOLD FLASH	6	PA	(BLACK) UL94V-0
1	PA	(BLACK) UL94V-0	5	STAINLESS STEEL	TIN PLATING
			4	STAINLESS STEEL	TIN PLATING
NO.	MATERIAL	FINISH . REMARKS	NO.	MATERIAL	FINISH . REMARKS
UNITS mm		SCALE 4 : 1	COUNT △	DESCRIPTION OF REVISIONS	
DESIGNED		CHECKED		DATE	
APPROVED : NM. NISHIMATSU			15. 10. 27		
CHECKED : KN. ICHIKAWA			15. 10. 27		
DESIGNED : TS. ITO			15. 10. 27		
DRAWN : AK. AKIYAMA			15. 10. 27		
DRAWING NO.		EDC-123914-30-00			
PART NO.		ST80X-18S(30)			
CODE NO.		CL241-0020-0-30			
				△ 1/2	

Oct.1.2018 Copyright 2018 HIROSE ELECTRIC CO., LTD. All Rights Reserved.  
 In case that the application demands a high level of reliability, such as automotive,  
 please contact a company representative for further information.



<b>HRS</b>	DRAWING NO.	EDC-123914-30-00
	PART NO.	ST80X-18S(30)
	CODE NO.	CL241-0020-0-30
		2/2