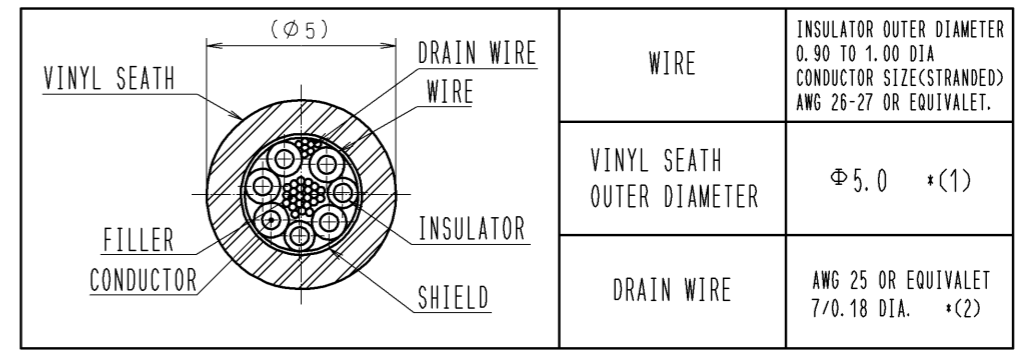


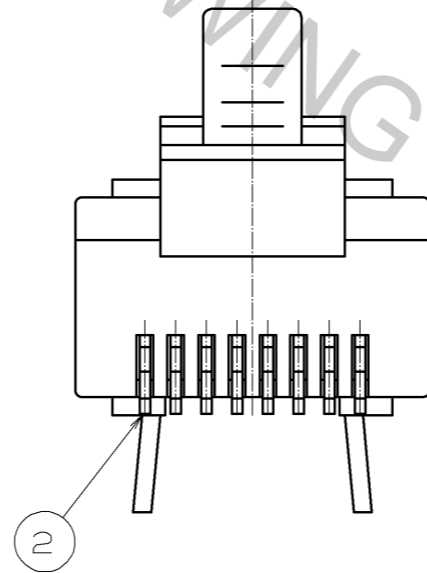
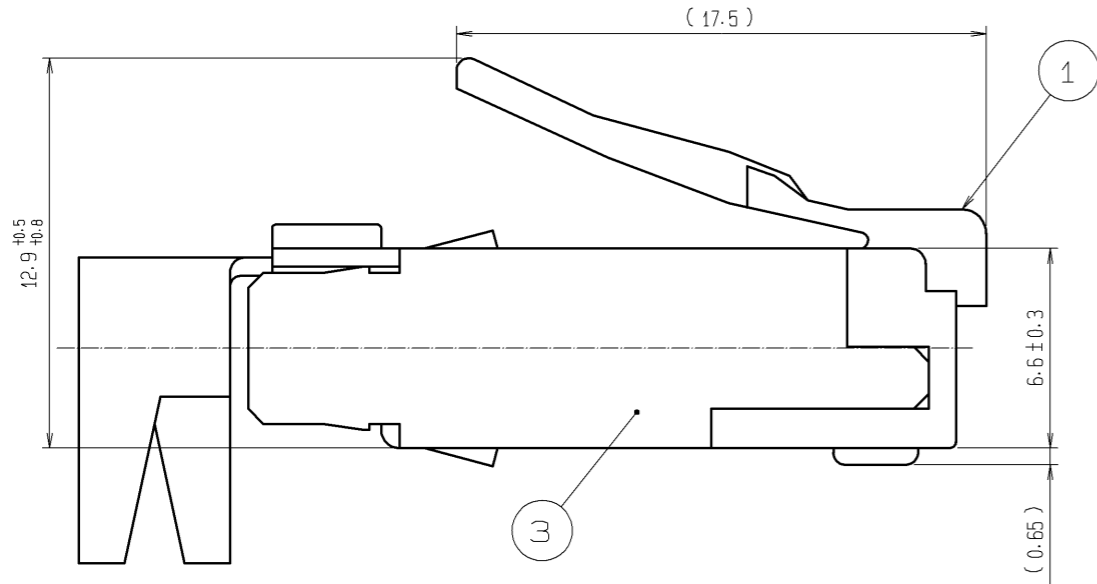
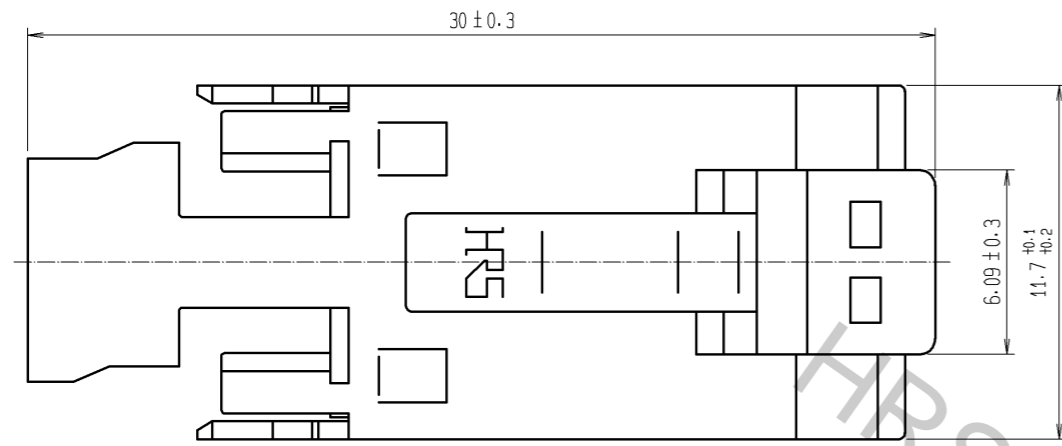
Oct.1.2018 Copyright 2018 HIROSE ELECTRIC CO., LTD. All Rights Reserved.
 In case that the application demands a high level of reliability, such as automotive,
 please contact a company representative for further information.

NOTES 1. APPLICABLE CABLE.

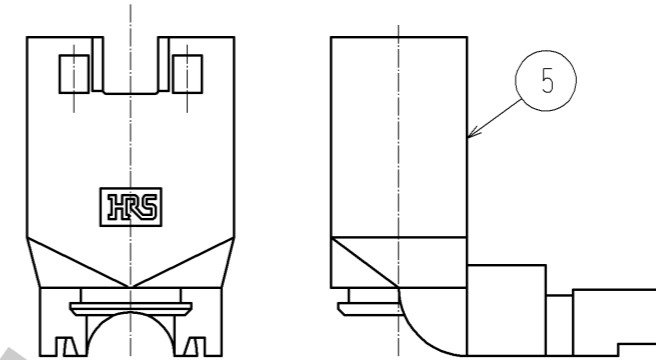


*(1) CABLE ENTRY IS 5.6MIN.
 *(2) CONSTRUCTION IS FOR REFERENCE.

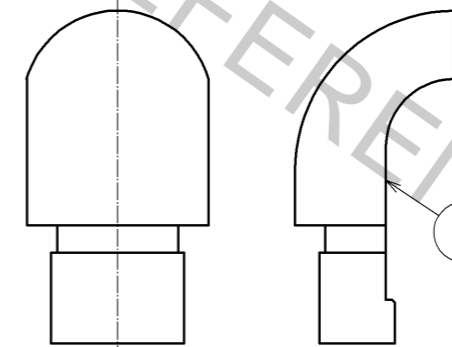
② ADAPTER SHALL BE USED TO ALIGN INDIVIDUAL WIRE.
 3. THE DIMENSION IN PARENTHESIS IS FOR REFERENCE.



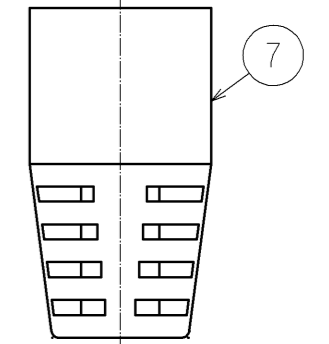
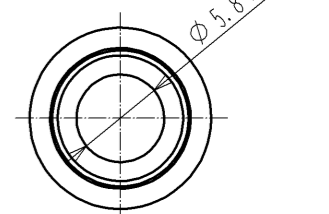
HOOD (A) (2:1)
ATTACHED



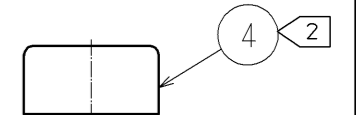
HOOD (B) (2:1)
ATTACHED



BUSH (2:1)
ATTACHED



ADAPTER (2:1)
ATTACHED



NO.	MATERIAL	FINISH	REMARKS	NO.	MATERIAL	FINISH	REMARKS
3	BRASS	OVER : TIN REFLOW PLATING 1μm min UNDER: COPPER PLATING 0.5μm min		7	PVC	LIGHT BEIGE	
2	PHOSPHOR BRONZE	CONTACT : GOLD PLATING 1.27μm min TERMINAL : GOLD PLATING 0.03μm min UNDER : NICKEL PLATING 2μm min		6	POLYCARBONATE	LIGHT BEIGE	
1	POLYCARBONATE	TRANSPARENCY		5	POLYCARBONATE	LIGHT BEIGE	
				4	POLYCARBONATE	TRANSPARENCY	

UNITS	SCALE	COUNT	DESCRIPTION OF REVISIONS	DESIGNED	CHECKED	DATE
mm	4 : 1	△	APPROVED : YH. ENAMI 08.06.11 CHECED : HO. MIWA 08.06.11 DESIGNED : KI. NAGANUMA 08.06.10 DRAWN : KI. NAGANUMA 08.06.10			

DRAWING NO.	PART NO.	CODE NO.
EDC3-120682-02	TM11APA1-88P	CL222-2783-4-00