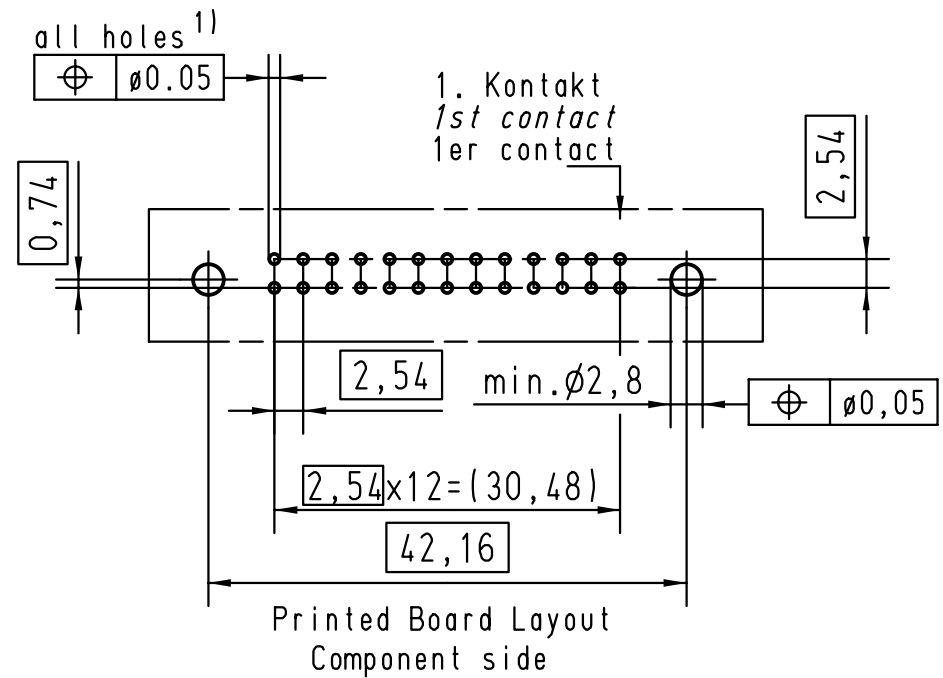
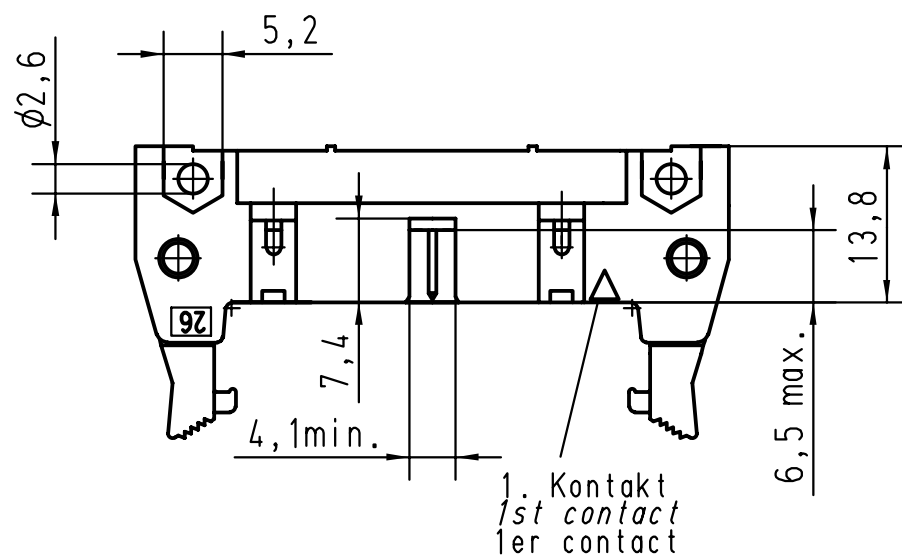
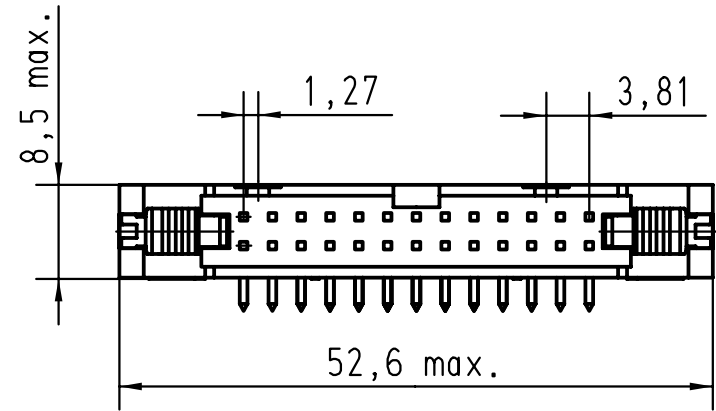
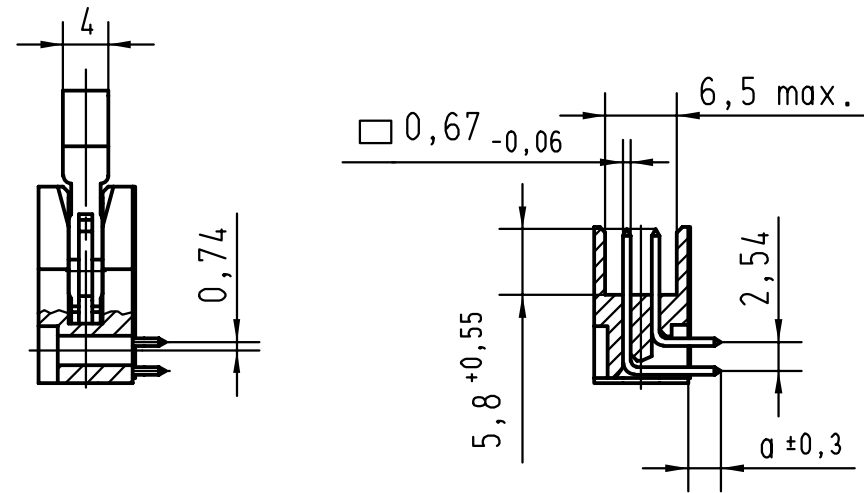
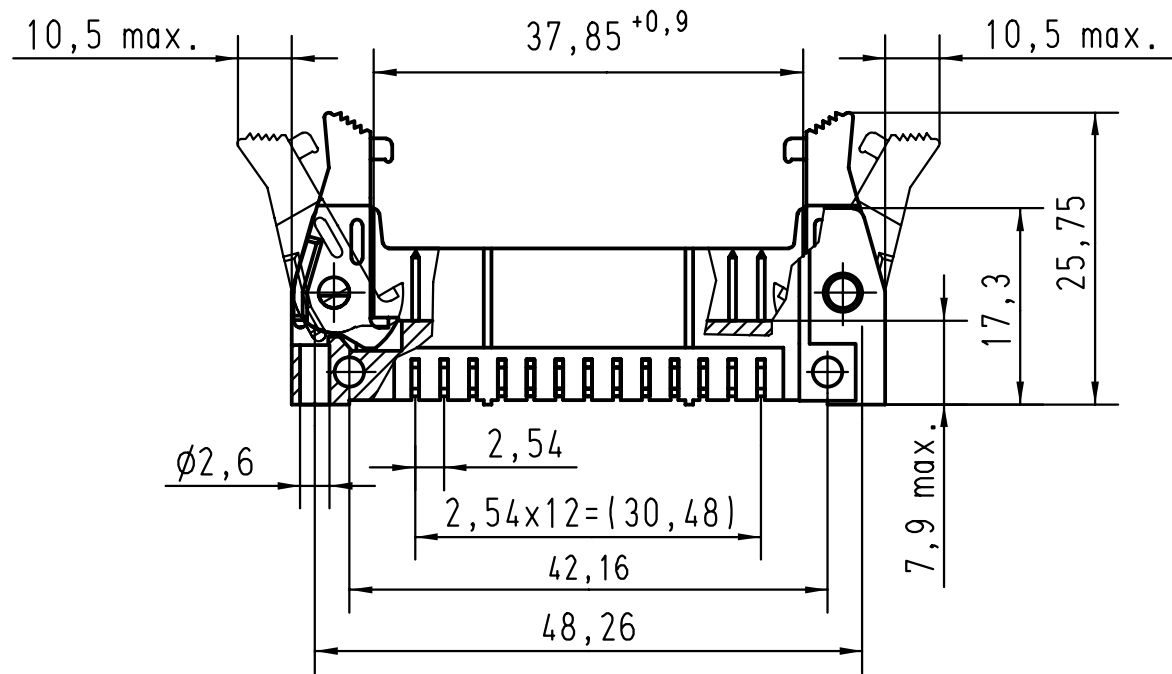


Alle Rechte vorbehalten/ All rights reserved



1) Einlötlötstifte passend für Lochungen  
 $\phi 1 \pm 0.1$  nach IEC 60326-3  
 Solder pins for PCB connections  
 $\phi 1 \pm 0.1$  as per IEC 60326-3  
 A souder pour des trous de  $\phi 1 \pm 0.1$   
 selon IEC 60326-3

|                                      |   |     |  |       |                   |           |                               |  |                    |                         |           |     |
|--------------------------------------|---|-----|--|-------|-------------------|-----------|-------------------------------|--|--------------------|-------------------------|-----------|-----|
| 09185267901                          | 3   | 4,5 |  |       | Techn. Character. |           |                               | Nicht tolerierte Maße! Free size tolerances                                      |                    |                         |           |     |
| 09185266901                          | 2   | 4,5 |  |       |                   |           |                               | SEK 18 Male Connector Standard<br>26 poles<br>Angled pins<br>Long locking levers |                    |                         |           |     |
| 09185265901                          | 0,76 $\mu\text{m Au}$                                       | 4,5 |  |       |                   |           |                               |  |                    | Maßstab/ Scale<br>1,5:1 |           |     |
| 09185267903                          | 3   | 2,9 |  |       |                   |           |                               |  |                    |                         |           |     |
| 09185266903                          | 2   | 2,9 |  |       | 29753             | 11-MAR-02 | JB                            |  |                    | Detail.                 | 01-DEC-99 | Th  |
| 09185265903                          | 0,76 $\mu\text{m Au}$                                       | 2,9 |  |       | 29739             | 03-DEC-01 | JB                            |  |                    | Insp.                   | 03-DEC-01 | JMV |
| Bestell-Nr.<br>Part-No.<br>Reference | Anforderungsstufe<br>performance level<br>Niveau de qualite | a   |  | 27931 | 15-JUNE-00        | JB        | Stand.                        |  |                    |                         |           |     |
|                                      |   |     |  | 26554 | 01-DEC-99         | JB        | HARTING EURL<br>F-95972 Paris |  |                    |                         |           |     |
|                                      |   |     |  | Mod.  | Dat.              | Name      | TB 0918526x90x                |  | Blatt/ page<br>2/2 |                         |           |     |