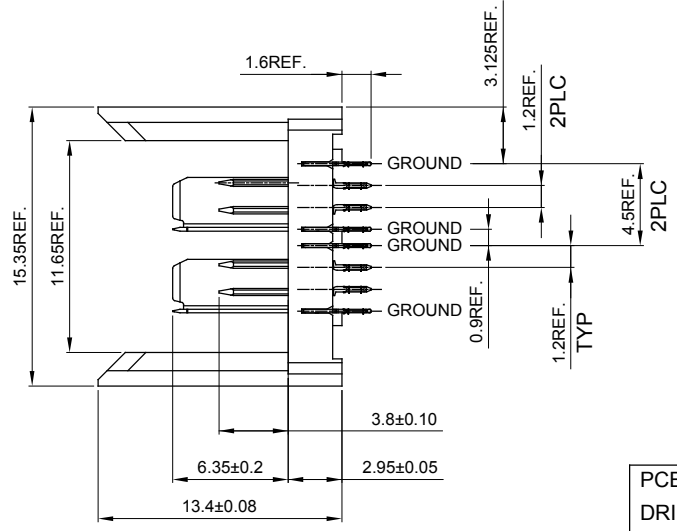
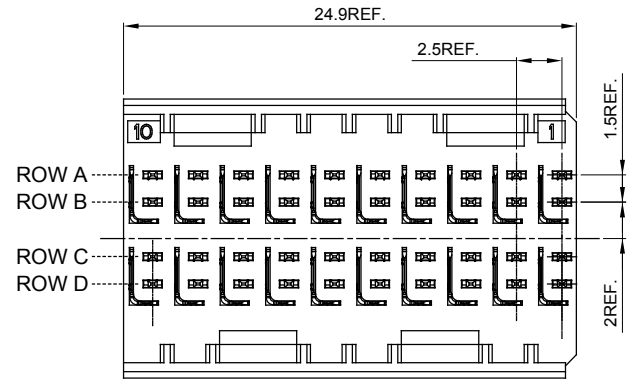
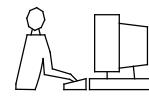


TOLERANCE UNLESS OTHERWISE SPECIFIED	
.X	±0.35
.XX	±0.25
.XXX	±0.15

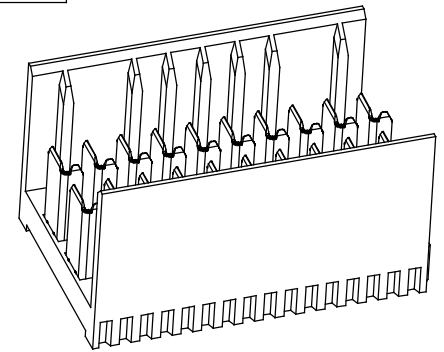
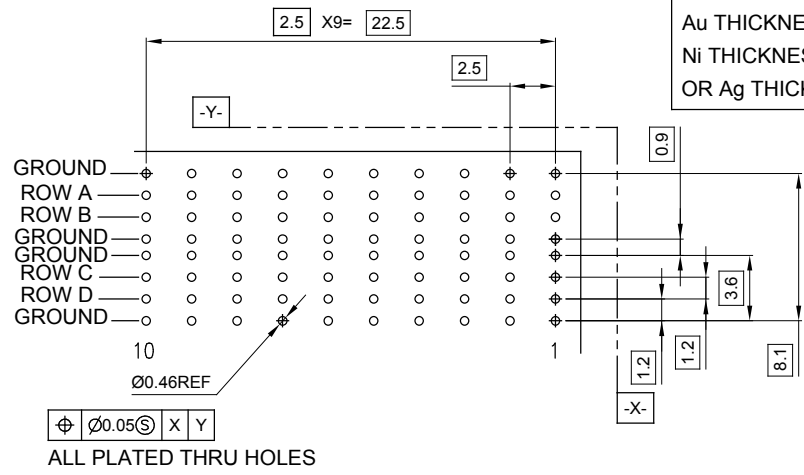
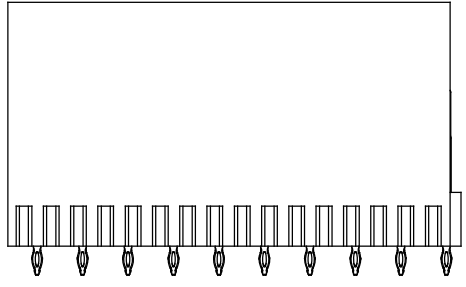
THIS IS A C.A.D. GENERATED DRAWING  
DO NOT MAKE MANUAL REVISIONS TO MASTER.  
UNLESS OTHERWISE SPECIFIED, ALL RADIUS ARE 0.2 MM.



NOTES:

MATERIAL:  
HOUSING: LCP +30% GLASS REINFORCED, UL94V-0  
SHIELD: PHOSPHOR BRONZE  
CONTACT: PHOSPHOR BRONZE  
GOLD FLASH PLATING 30~100µ" ON SOLDER  
TAIL OVER NICKEL 50~150µ" UNDER PLATING

PCB HOLE DIM:  
DRILLED HOLE = 0.550±0.020mm  
FINISHED HOLE = 0.460±0.050mm  
Cu THICKNESS = 0.0375±0.0125mm  
Au THICKNESS = 0.007±0.003mm  
Ni THICKNESS = 0.0044±0.0032mm  
OR Ag THICKNESS = 0.0003±0.002mm



<b>ZD+ CONNECTOR, MALE, VERTICAL, 2 PAIR</b>		ACAD REFERENCE NO.: 500-040-231-J01
DRAWN: W.T		DATE: JUNE.27 /2018
CHECKED:		DATE:
SCALE: N.T.S		SHEET 1 OF 1
DRAWING NUMBER: 500-040-231-J01		ISSUE
PART NUMBER: 500-040-231-J01		1



THIS SERIES FULLY CONFORMS TO  
THE EUROPEAN UNION DIRECTIVES  
2011/65/EU FOR RoHS COMPLIANCY.

**EDAC** EDAC INC  
TORONTO, ONTARIO  
CANADA  
YOUR CONNECTION TO QUALITY & SERVICE

THESE DRAWINGS AND SPECIFICATIONS  
ARE THE PROPERTY OF EDAC INC., AND  
SHALL NOT BE REPRODUCED, OR COPIED  
OR USED AS THE BASIS FOR THE  
MANUFACTURE OR SALE OF APPARATUS  
WITHOUT WRITTEN PERMISSION.