

PART NAME: KNOB

SCALE: 1:1

DATE: 7/11/18

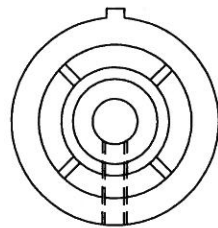
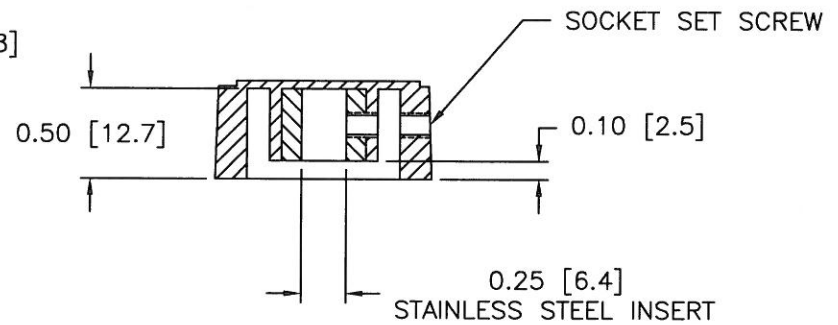
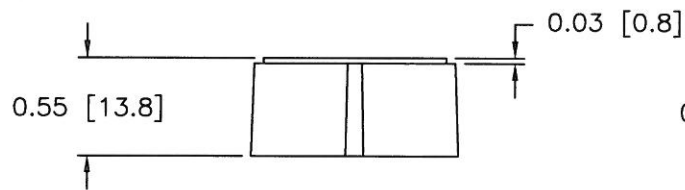
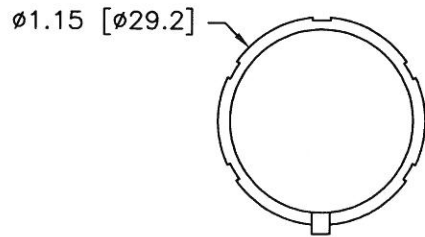
DR. BY JAM

DAVIES MOLDING COMPANY

P/N 1104

THIS DRAWING IS THE PROPERTY OF DAVIES MOLDING COMPANY, IS SUBMITTED SOLELY AS A DESIGN OR ENGINEERING PROJECT.
WE ACCEPT NO RESPONSIBILITY WHATSOEVER FOR THE PRACTICAL APPLICATION OF THE PIECES MADE TO THIS DESIGN.

CAROL STREAM, ILLINOIS 60188



MATERIAL: PP & TPR
COLOR: BLACK & WHITE