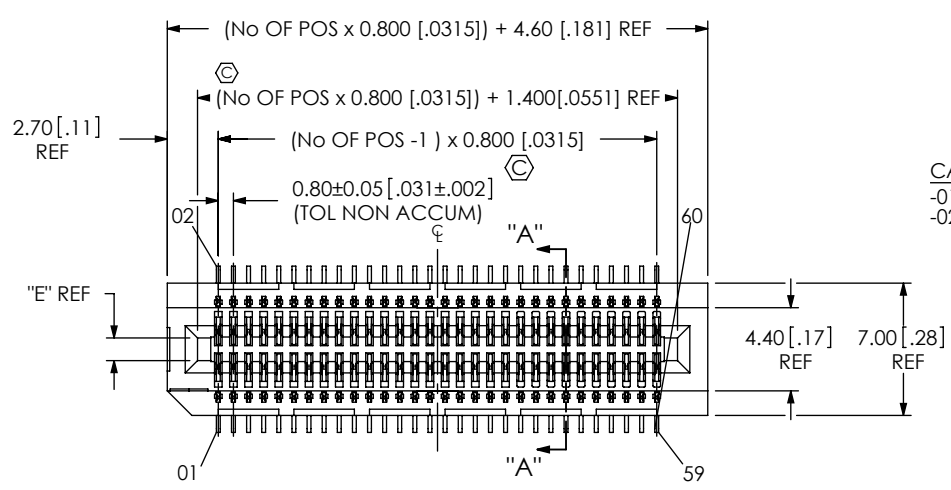


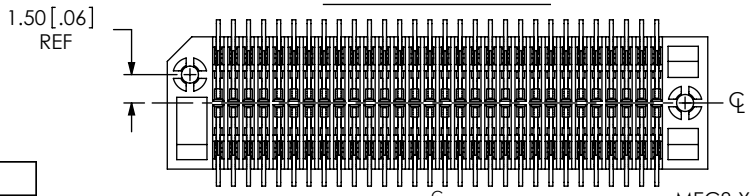
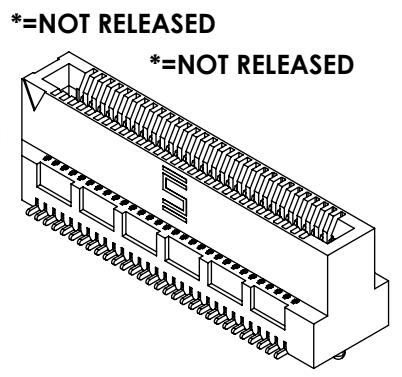
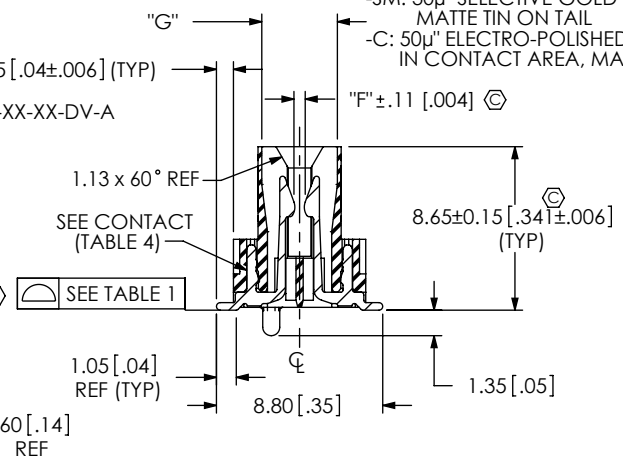
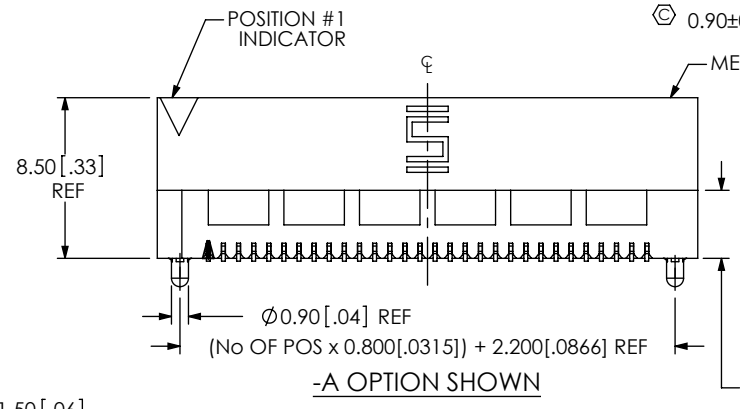
REVISION Z

DO NOT SCALE FROM THIS PRINT



MEC8-1XX-XX-XX-DV-XX

- No OF POSITIONS
-10, -20, -30, -35, -40, -45, -50, -60, -70
- CARD THICKNESS
-01: 1mm [.039] THICK CARD
-02: 1.57mm [.062] THICK CARD
- OPTION
-A: ALIGNMENT PINS (USE MEC8-XX-XX-DV-A)
-LC: LOCKING CLIP (SEE NOTE 5) (USE LC-05-TM)
-K: POLYAMIDE FILM PAD (USE K-DOT-.217-.313-.005) (SEE FIG. 3)
-TR: TAPE & REEL
- ROW SPECIFICATION
-DV: DUAL VERTICAL (USE MEC8-XX-XX-DV-XX)
- PLATING SPECIFICATION
-L: 10µ" SELECTIVE GOLD, IN CONTACT AREA, MATTE TIN ON TAIL
-S: 30µ" SELECTIVE GOLD IN CONTACT AREA, MATTE TIN ON TAIL
-LM: 10µ" SELECTIVE GOLD IN CONTACT AREA, MATTE TIN ON TAIL
-SM: 30µ" SELECTIVE GOLD IN CONTACT AREA, MATTE TIN ON TAIL
-C: 50µ" ELECTRO-POLISHED SELECTIVE GOLD, IN CONTACT AREA, MATTE TIN ON TAIL



No OF POS	COPLANARITY
-10 THRU -50	0.102 [.0040]
-60 & -70	0.152 [.0060]

FIG 1 FOR POSITIONS -10, -20, -30 & -35 (SHOWN: MEC8-130-01-XX-DV-XX AS NOTED)

DESIGNED & DIMENSIONED IN MILLIMETERS (INCHES FOR REFERENCE ONLY)

CARD	"E"	"F"	"G"	BODY	CONTACT
-01	1.20 [.047]	.50 [.020]	3.400 [.1338]	MEC8-XX-01-DV-XX	C-199-01-XX
-02	1.80 [.071]	1.00 [.039]	4.000 [.1575]	MEC8-XX-02-DV-XX	C-182-02-XX

- NOTES:
- ⊕ REPRESENTS A CRITICAL DIMENSION.
 - BURR ALLOWANCE: 0.04 [.0015] MAX.
 - MINIMUM PUSHOUT FORCE: .5 LB.
 - ASSEMBLIES TO BE PACKAGED IN TRAYS UNLESS -TR OPTION IS SPECIFIED.
 - DUE TO THE HIGH AMOUNT OF INSERTION FORCE NEEDED, THE -LC OPTION IS NOT COMPATIBLE WITH AUTO PLACEMENT. SAMTEC RECOMMENDS MANUAL PLACEMENT FOR ALL ASSEMBLIES WITH THE -LC OPTION."

UNLESS OTHERWISE SPECIFIED, DIMENSIONS ARE IN MILLIMETERS. TOLERANCES ARE: DECIMALS ANGLES X.X: ±0.3 [.01] 2° X.XX: ±0.13 [.005] X.XXX: ±0.051 [.0020]	PROPRIETARY NOTE THIS DOCUMENT CONTAINS INFORMATION CONFIDENTIAL AND PROPRIETARY TO SAMTEC, INC. AND SHALL NOT BE REPRODUCED OR TRANSFERRED TO OTHER DOCUMENTS OR DISCLOSED TO OTHERS OR USED FOR ANY PURPOSE OTHER THAN THAT WHICH IT WAS OBTAINED WITHOUT THE EXPRESSED WRITTEN CONSENT OF SAMTEC, INC.		
		520 PARK EAST BLVD, NEW ALBANY, IN 47150 PHONE: 812-944-6733 FAX: 812-948-5047 e-Mail: info@SAMTEC.com code: 55322	
MATERIAL: DO NOT SCALE DRAWING SHEET SCALE: 1:0.4 INSULATOR: LCP -01: COLOR: NATURAL -02: COLOR: BLACK CONTACT: PHOS BRONZE	DESCRIPTION: 0.8mm DUAL VERTICAL MOUNT MINI-EDGE CARD ASSEMBLY DWG. NO. MEC8-1XX-XX-XX-DV-XX	BY: CHAD F 04/09/2002	SHEET 1 OF 2

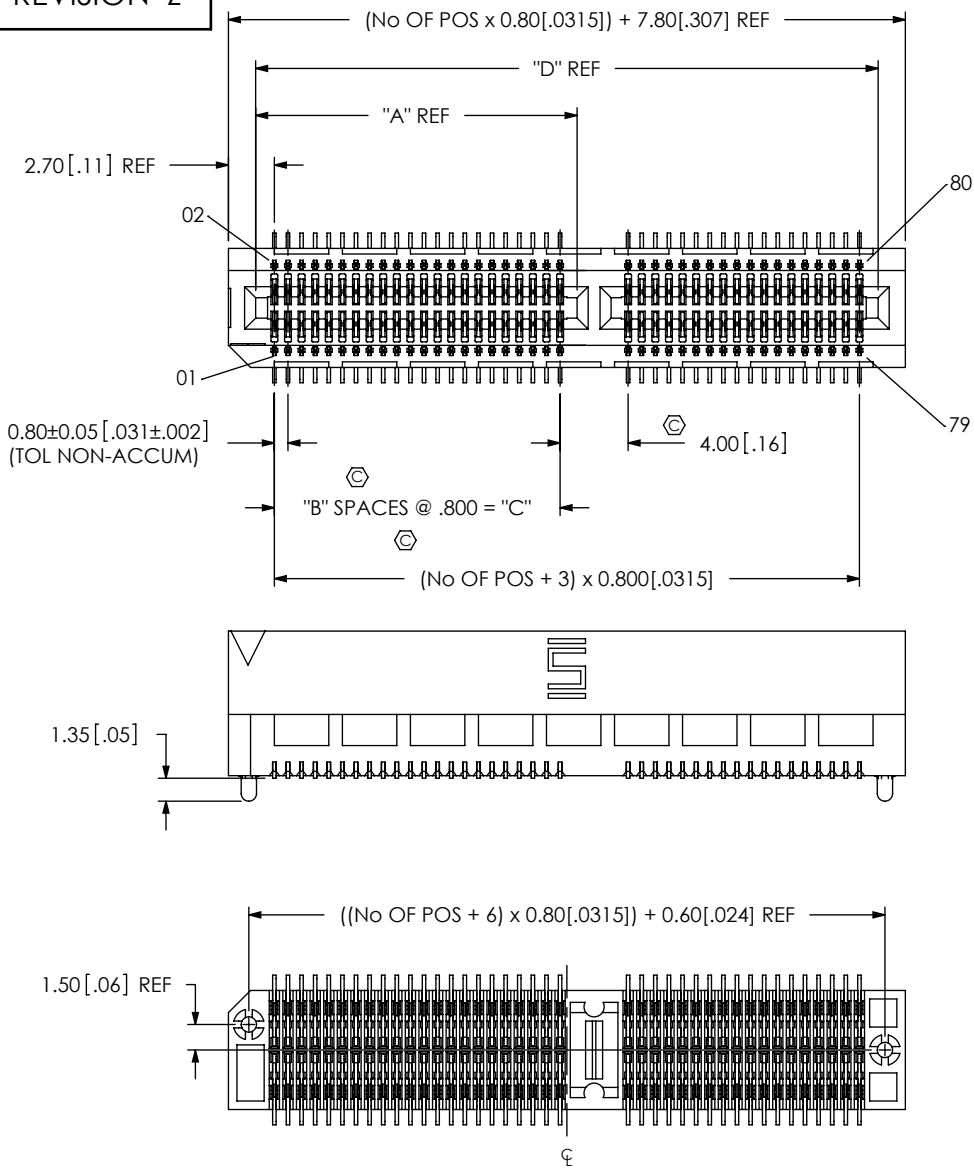
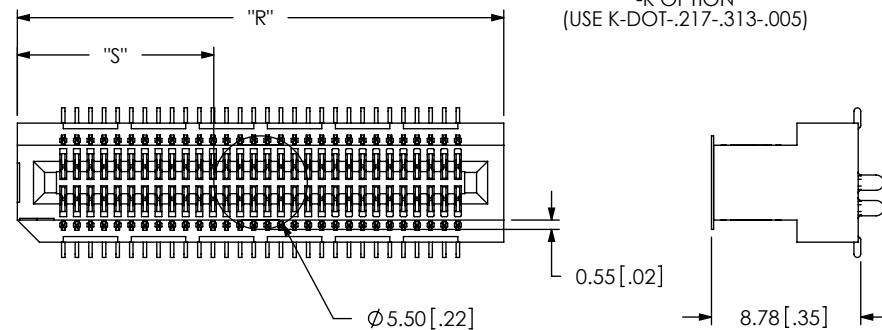


FIG 2
FOR POSITIONS -40 THRU 70
(SAME AS FIG 1, UNLESS OTHERWISE STATED)
(SHOWN: MEC8-140-01-XX-DV-A)

No OF POS	"A" REF	"B"	"C"	"D" REF
-40	18.900[.744]	21	16.800[.661]	36.600[1.441]
-45	20.500[.807]	23	18.400[.724]	40.600[1.598]
-50	22.900[.902]	26	20.800[.819]	44.600[1.756]
-60	26.900[1.059]	31	24.800[.976]	52.600[2.071]
-70	30.900[1.217]	36	28.800[1.134]	60.600[2.386]

FIG 3
-K OPTION
(USE K-DOT-.217-.313-.005)



No OF POS	"R"	"S"
-10 THRU *-35	$(No\ OF\ POS \times 0.80[.0315]) + 4.60[.181]$ REF	$((\text{"R"} - 5.50[.217]) / 2) + /-0.51[.020]$
-40 THRU -70	$(No\ OF\ POS \times 0.80[.0315]) + 7.80[.307]$ REF	

* = NOT RELEASED FOR SALE

F:\DWG\MISC\MKTG\MEC8-1XX-XX-XX-DV-XX-MKT.SLDDRW

PROPRIETARY NOTE

THIS DOCUMENT CONTAINS INFORMATION CONFIDENTIAL AND PROPRIETARY TO SAMTEC, INC. AND SHALL NOT BE REPRODUCED OR TRANSFERRED TO OTHER DOCUMENTS OR DISCLOSED TO OTHERS OR USED FOR ANY PURPOSE OTHER THAN THAT WHICH IT WAS OBTAINED WITHOUT THE EXPRESSED WRITTEN CONSENT OF SAMTEC, INC.

DO NOT SCALE DRAWING

SHEET SCALE: 1:0.444444



520 PARK EAST BLVD, NEW ALBANY, IN 47150
PHONE: 812-944-6733 FAX: 812-948-5047
e-Mail: info@SAMTEC.com code: 55322

DESCRIPTION:
0.8mm DUAL VERTICAL MOUNT MINI-EDGE CARD ASSEMBLY

DWG. NO.
MEC8-1XX-XX-XX-DV-XX

BY: CHAD F 04/09/2002 SHEET 2 OF 2