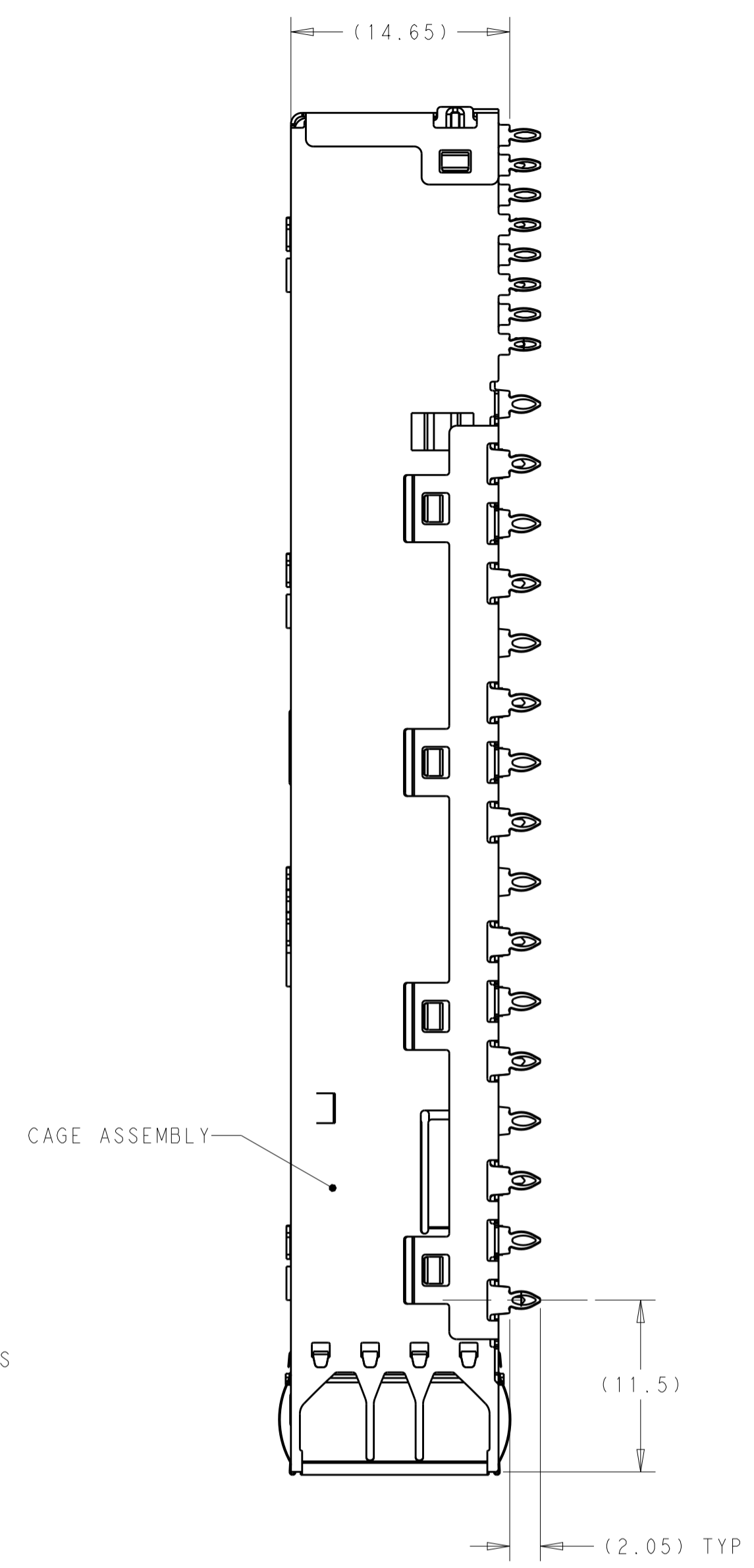
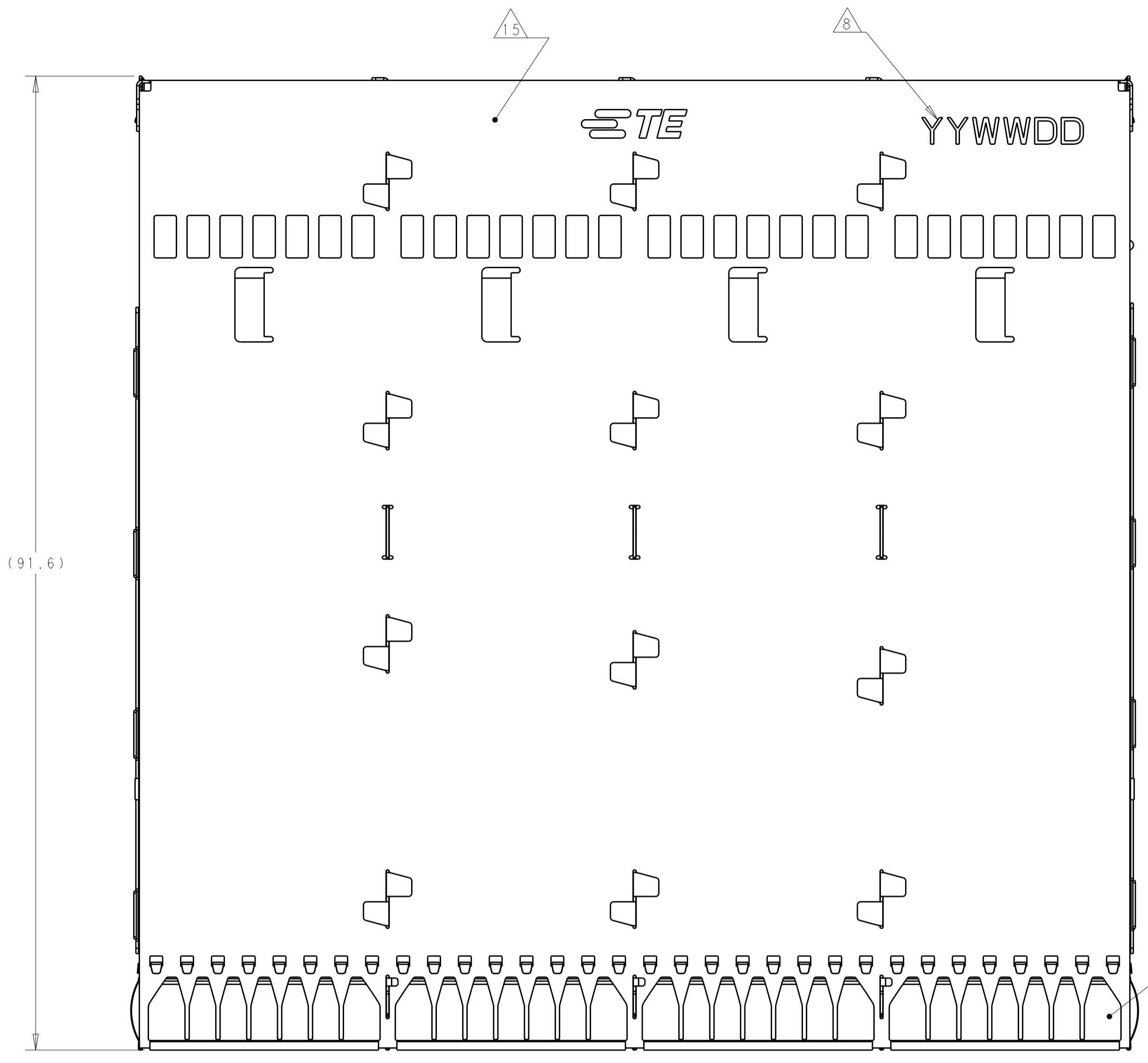
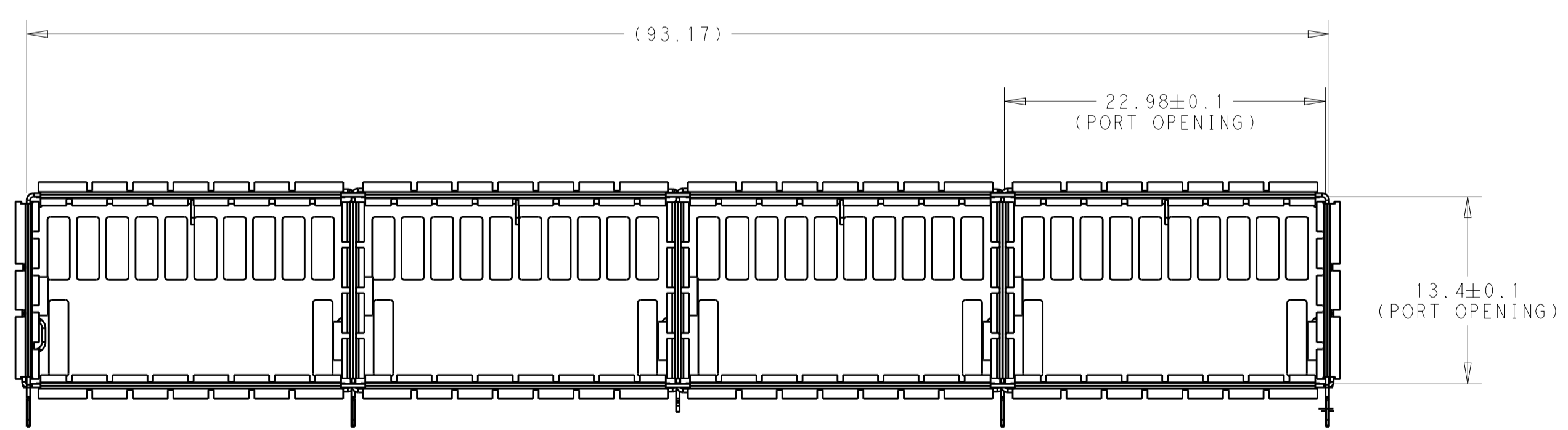


REVISIONS				
P.	LTN.	DESCRIPTION	DATE	APP'D.
B		REVISED PER ECO-18-008361	29MAY2018	CJV EDB
C		REVISED PER ECO-18-009057	12JUN2018	MS EB
D		REVISED PER ECO-18-013395	12SEP2018	CJV EDB
E		REVISED PER ECO-18-017546	12NOV2018	CJV EDB



- 1 CAGE ASSEMBLY- 0.25mm THICK STAINLESS STEEL.  
EMI SPRING- COPPER ALLOY.  
LIGHT PIPE- CLEAR POLYCARBONATE.  
LIGHT PIPE ORGANIZER- POLYCARBONATE.  
LIGHT PIPE BRACKET- STAINLESS STEEL.
- 2 FINISH:  
EMI SPRING- 1.27um NICKEL PLATING OVER ALL.
- 3. MATES WITH OSFP MSA COMPLIANT TRANSCEIVERS.
- 4 DATUM AND BASIC DIMENSION ESTABLISHED BY CUSTOMER.
- 5. MINIMUM PC BOARD THICKNESS:  
SINGLE SIDE = 1.5MM  
DOUBLE SIDE = 2.10MM
- 6 PADS AND VIAS CHASSIS GROUND.
- 7 REFERENCE APPLICATION SPEC 114-XXXX, HOLE A, FOR RECOMMENDED DRILL HOLE DIAMETER AND PLATING THICKNESS.
- 8 DATE CODE MARKED IN APPROXIMATE AREA.
- 9 LIGHT PIPE ASSEMBLY SHOWN ASSEMBLED TO CAGE ASSEMBLY FOR REFERENCE. LIGHT PIPE ASSEMBLY IS SHIPPED UNASSEMBLED FROM CAGE ASSEMBLY.
- 10 LED PLACEMENT AREA FOR 4 LIGHT PIPE DASH NUMBERS.
- 11 LED PLACEMENT AREA FOR 2 LIGHT PIPE DASH NUMBERS.
- 12 LED PLACEMENT AREA FOR 1 LIGHT PIPE DASH NUMBERS.
- 13 ASSEMBLY NOT COMPATIBLE WITH LIGHT PIPES.
- 14 ASSEMBLY COMPATIBLE WITH LIGHT PIPES.
- 15 PART NUMBER MARKED IN APPROXIMATE AREA.

2315853-1 AS SHOWN

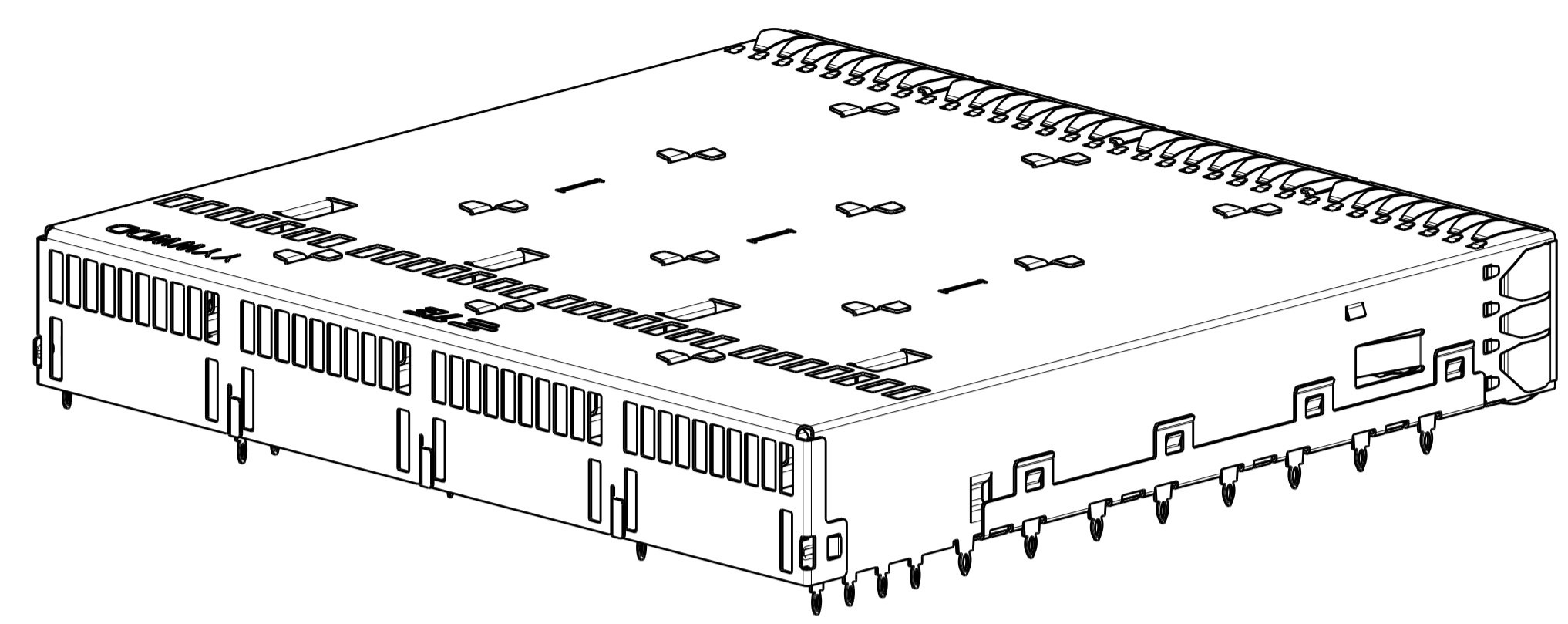


OBSOLETE	DESCRIPTION	PART NUMBER
4	WITH EMI SPRINGS	4-2315853-3
4	WITH EMI SPRINGS	4-2315853-1
2	WITH EMI SPRINGS	2-2315853-3
2	WITH EMI SPRINGS	2-2315853-1
1	WITH EMI SPRINGS	1-2315853-3
1	WITH EMI SPRINGS	1-2315853-1
14	WITH EMI SPRINGS	2315853-5
13	WITHOUT EMI SPRINGS	2315853-4
13	WITH EMI SPRINGS	2315853-3
13	WITHOUT EMI SPRINGS	2315853-2
13	WITH EMI SPRINGS	2315853-1
	LIGHT PIPES PER PORT	

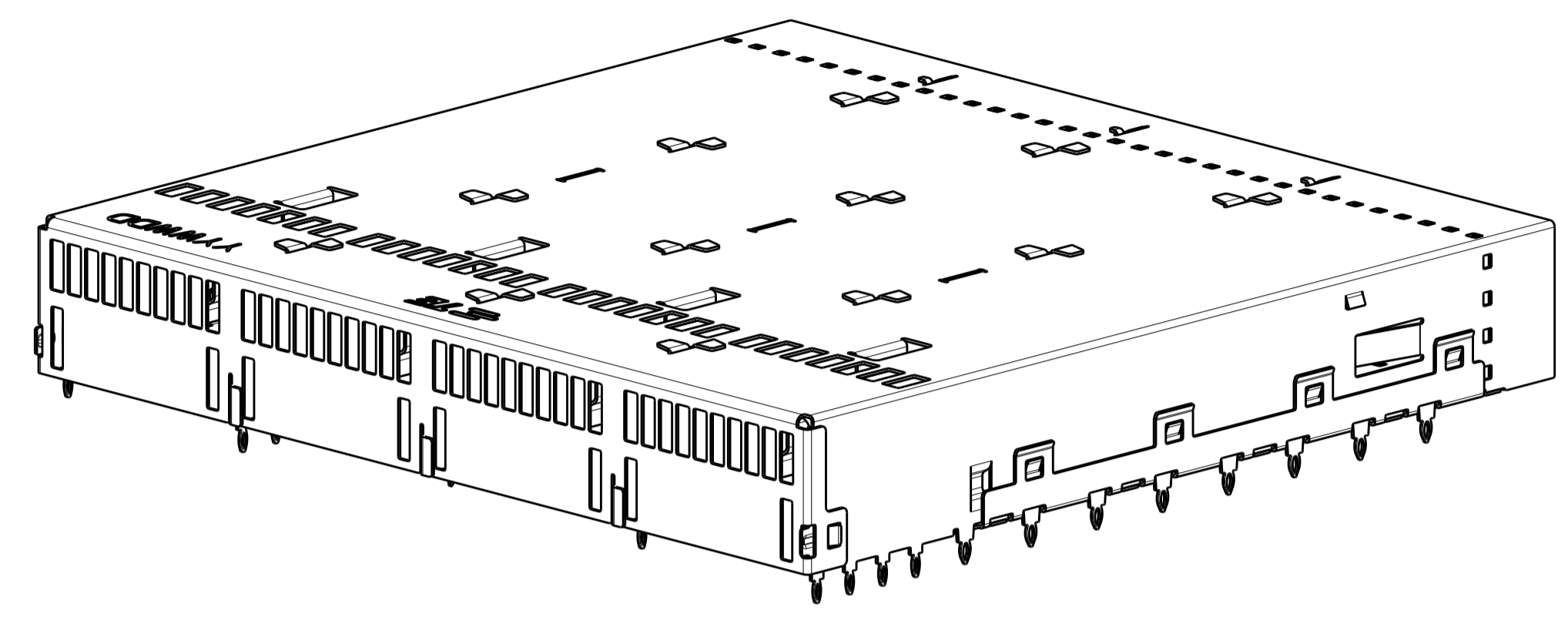
THIS DRAWING IS A CONTROLLED DOCUMENT. DIMENSIONS: mm. TOLERANCES UNLESS OTHERWISE SPECIFIED: 0 PLC ±0.25, 1 PLC ±0.15, 2 PLC ±0.10, 3 PLC ±0.10, 4 PLC ±0.10, ANGLES ±0.10. MATERIAL: 1. FINISH: 2. CUSTOMER DRAWING. SCALE: 3:1. SHEET 1 OF 7. REV E.

OWN: ANDY XIE 07MAR2017. CHK: SEAN HAN 07MAR2017. APVD: SEAN HAN 07MAR2017. NAME: CAGE ASSEMBLY, 1X4, OSFP. PRODUCT SPEC: 108-60117. APPLICATION SPEC: 114-130009. WEIGHT: -. SIZE: A1. CAGE CODE: -. DRAWING NO: C=2315853. RESTRICTED TO: -. CUSTOMER DRAWING. SCALE: 3:1. SHEET 1 OF 7. REV E.

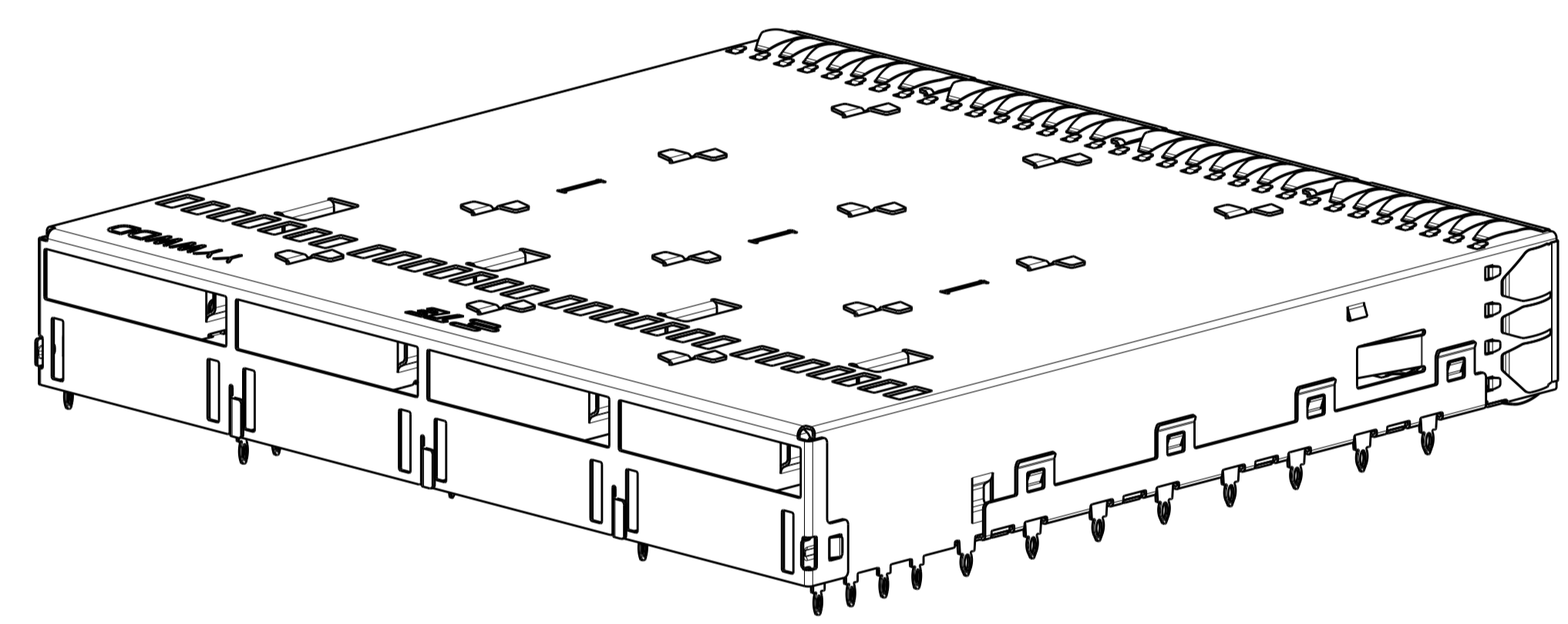
REVISIONS				
P.	LTN.	DESCRIPTION	DATE	OWN. APVD.
-	-	SEE SHEET 1	-	-



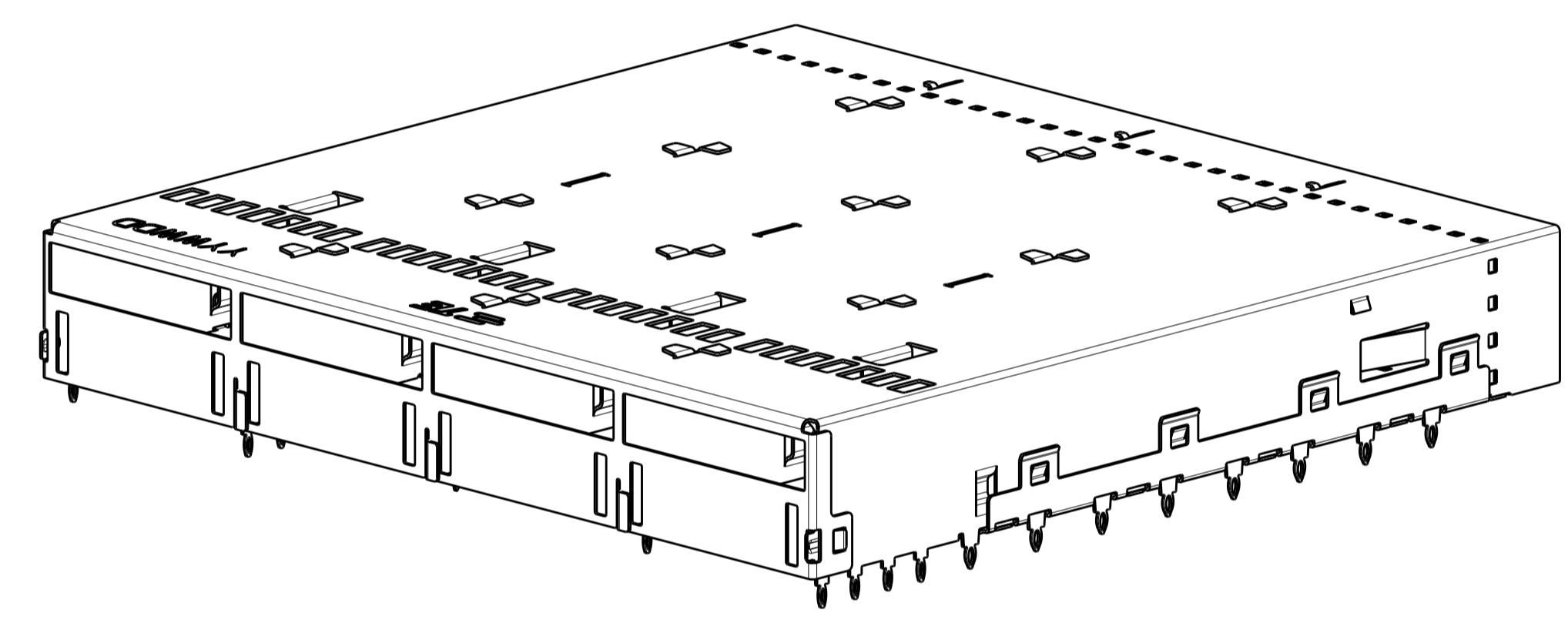
2315853-1  
SCALE 2:1



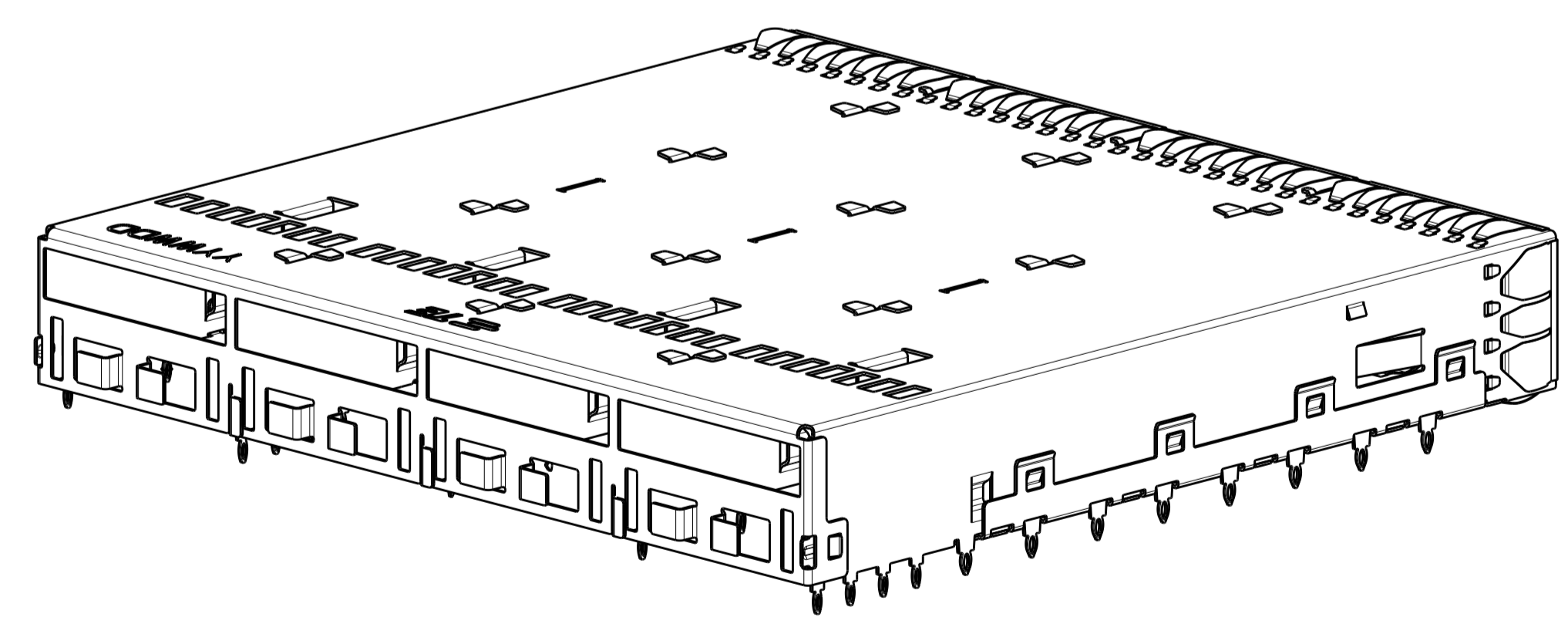
2315853-2  
SCALE 2:1



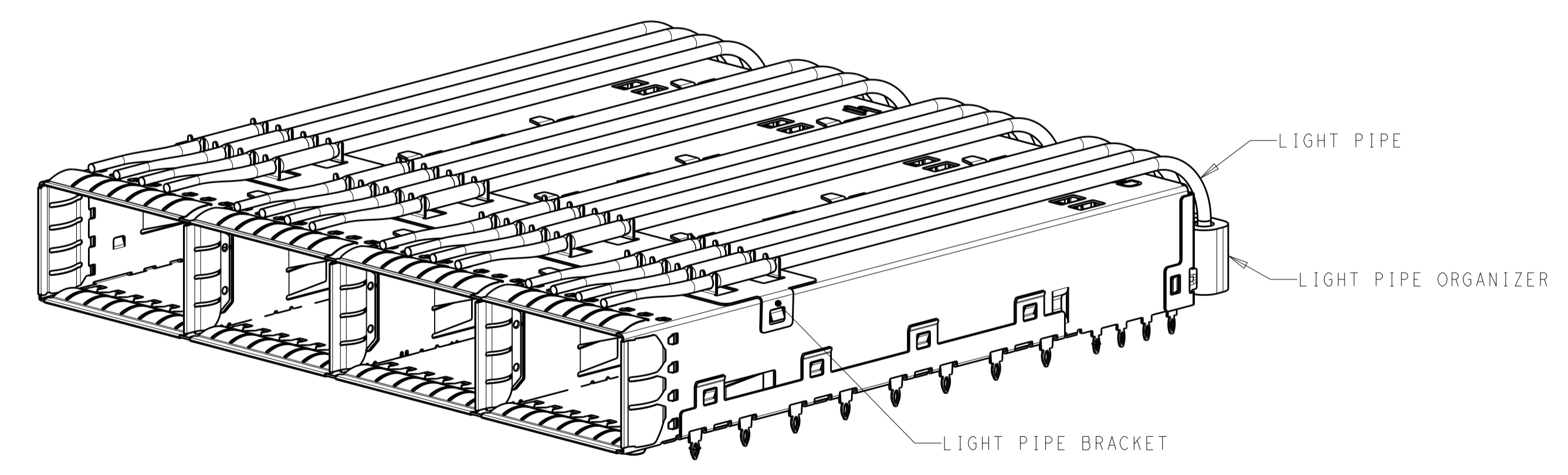
2315853-3  
SCALE 2:1



2315853-4  
SCALE 2:1



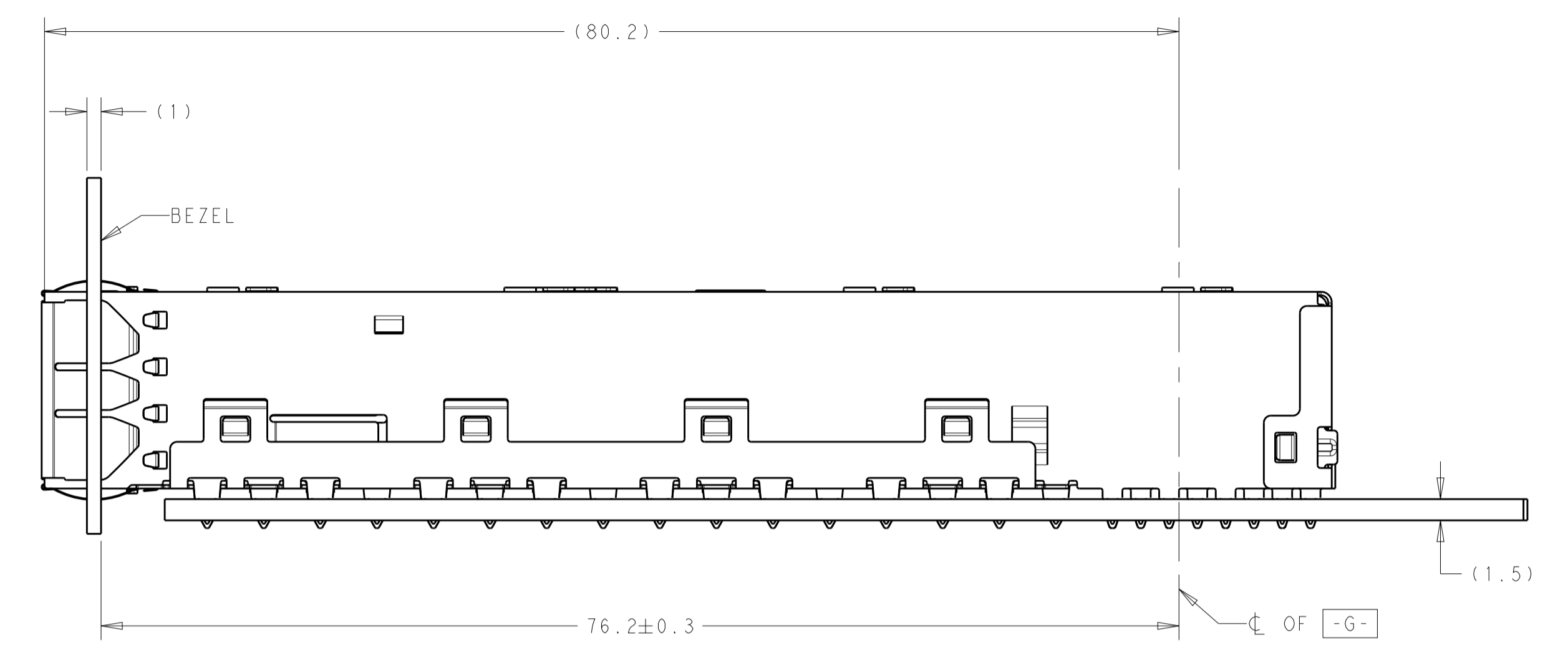
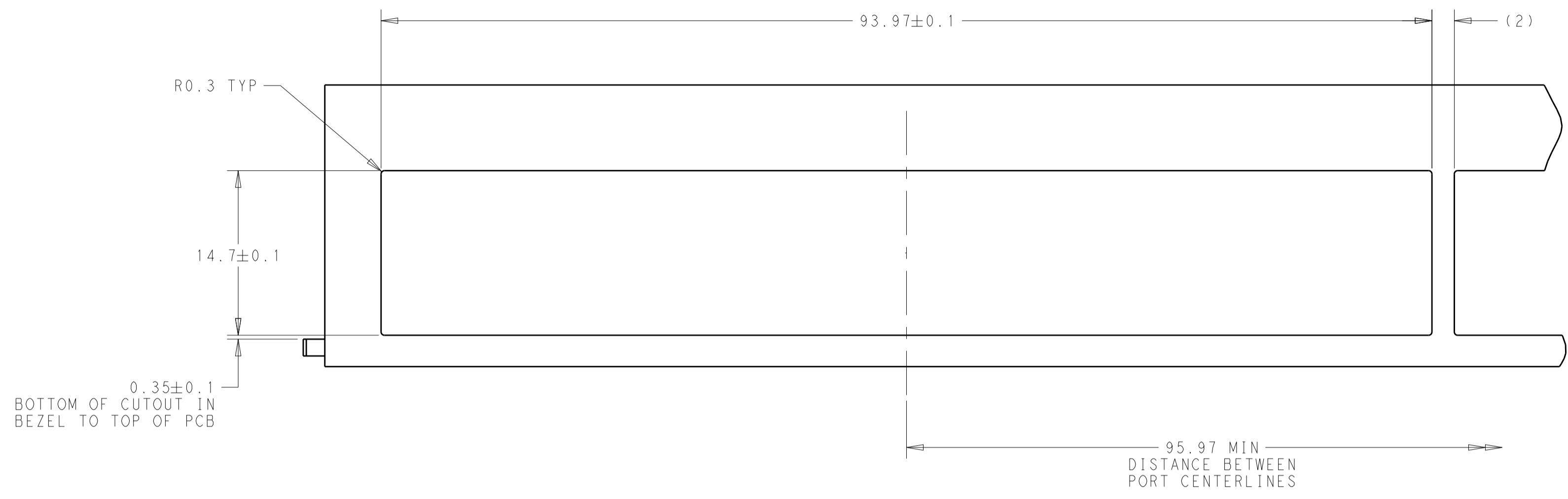
2315853-5  
SCALE 2:1



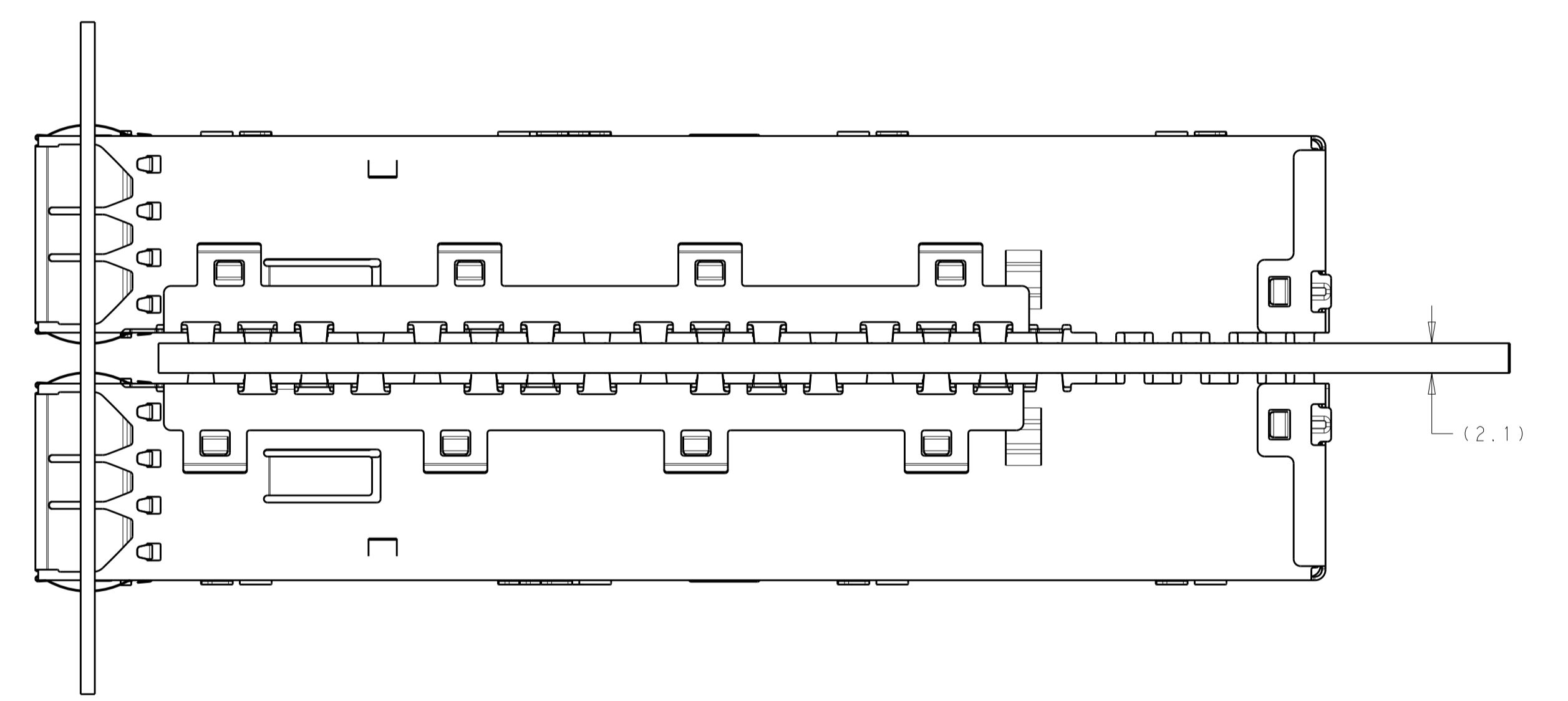
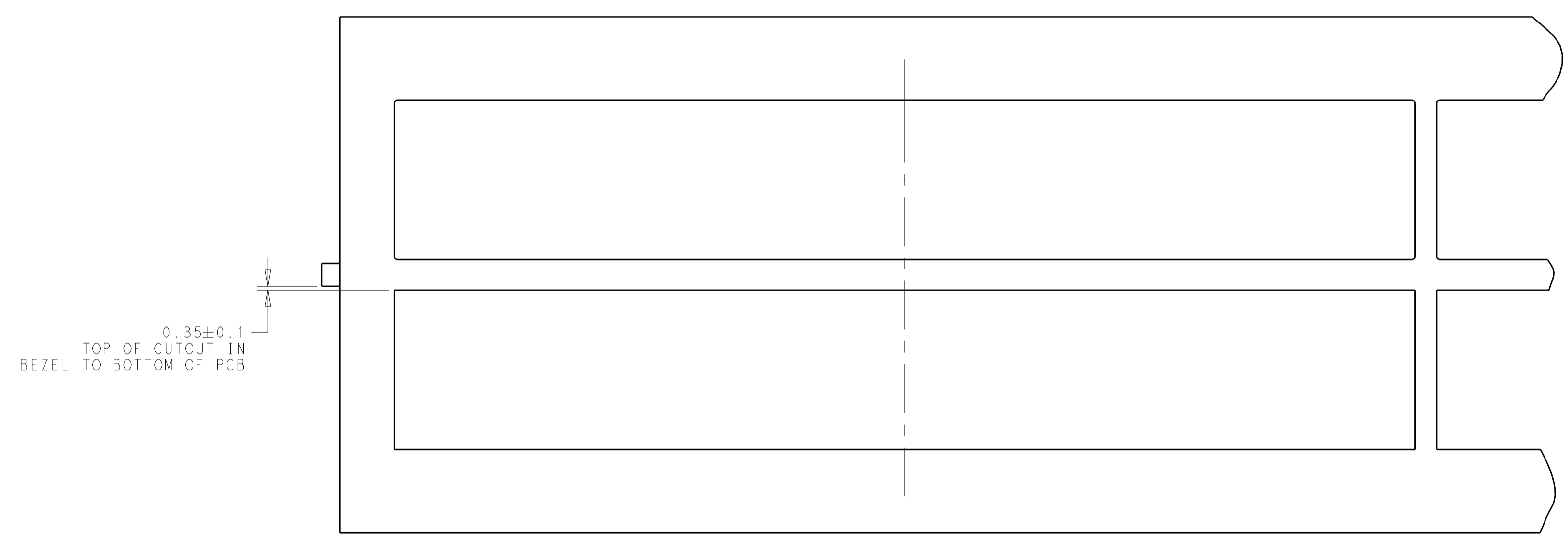
4-2315853-1 AND 4-2315853-3  
SCALE 2:1

THIS DRAWING IS A CONTROLLED DOCUMENT.		OWN: ANDY XIE 07MAR2017	TE Connectivity
DIMENSIONS: mm		CHK: SEAN HAN 07MAR2017	
TOLERANCES UNLESS OTHERWISE SPECIFIED:		APVD: SEAN HAN 07MAR2017	NAME: CAGE ASSEMBLY, 1X4, OSFP
0 PLC ±0.25	1 PLC ±0.15	PRODUCT SPEC: 108-60117	SIZE: A1
2 PLC ±0.10	3 PLC ±0.10	APPLICATION SPEC: 114-130009	CAGE CODE: 2315853
4 PLC ±0.10	ANGLES ±0.10	WEIGHT: -	RESTRICTED TO: -
MATERIAL: -	FINISH: -	CUSTOMER DRAWING	SCALE: 3:1 SHEET 2 OF 7 REV E

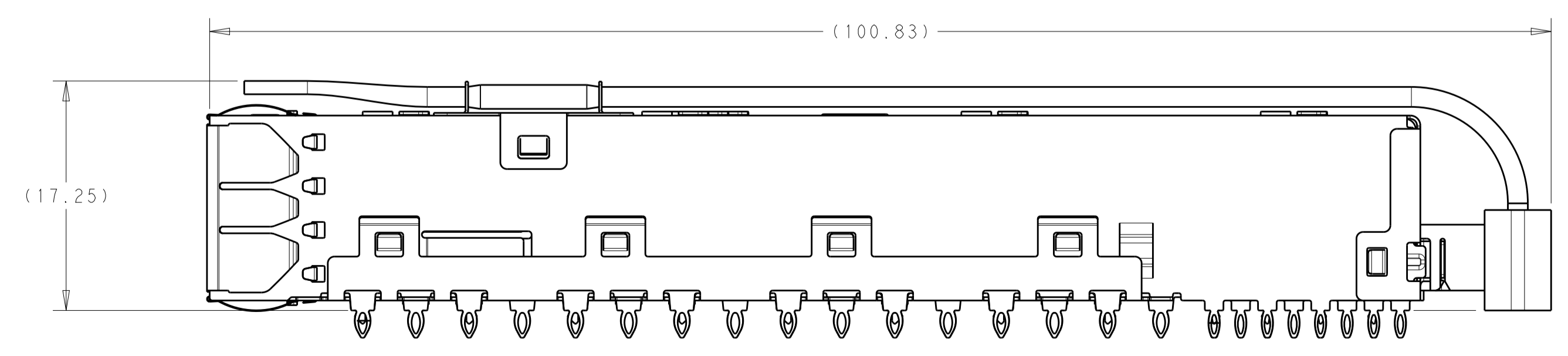
REVISIONS				
P.	LTN	DESCRIPTION	DATE	OWN APVD
-	-	SEE SHEET 1	-	-



SINGLE SIDE MOUNTING

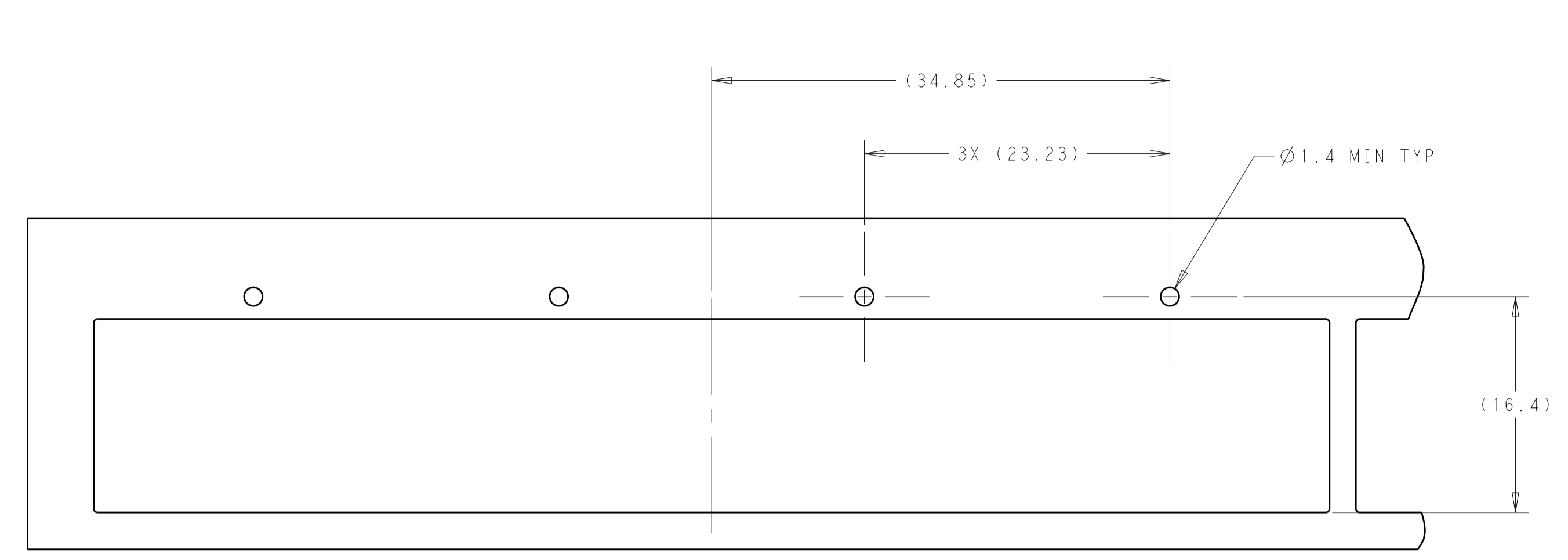


BELLY TO BELLY MOUNTING  
 SAME AS SINGLE SIDE  
 EXCEPT AS NOTED

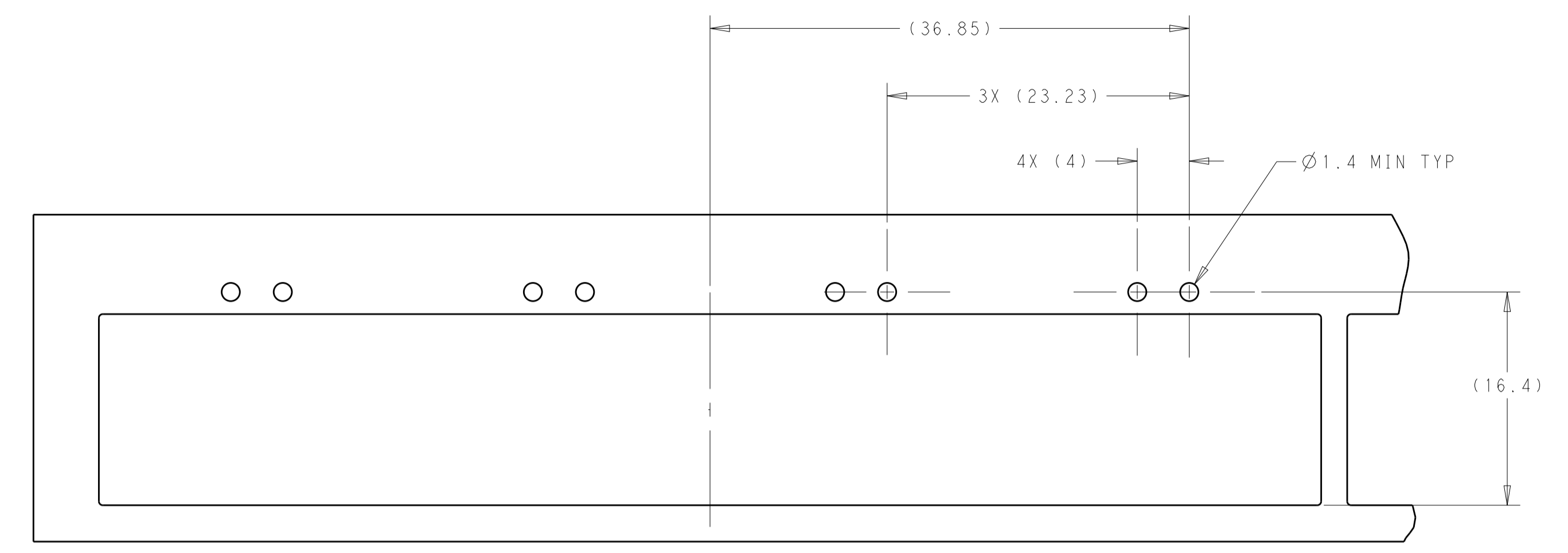


THIS DRAWING IS A CONTROLLED DOCUMENT.		OWN: ANDY XIE 07MAR2017	TE Connectivity
DIMENSIONS: mm		CHK: SEAN HAN 07MAR2017	
TOLERANCES UNLESS OTHERWISE SPECIFIED:		APVD: SEAN HAN 07MAR2017	NAME: CAGE ASSEMBLY, 1X4, OSFP
0 PLC ±0.25	1 PLC ±0.15	PRODUCT SPEC: 108-60117	SIZE: A1
2 PLC ±0.10	3 PLC ±0.10	APPLICATION SPEC: 114-130009	CAGE CODE: -
4 PLC ±0.10	ANGLES ±0.10	WEIGHT: -	DRAWING NO: C=2315853
MATERIAL: -	FINISH: -	CUSTOMER DRAWING	RESTRICTED TO: -
SCALE: 3:1			SHEET: 3 OF 7
REV: E			REV: E

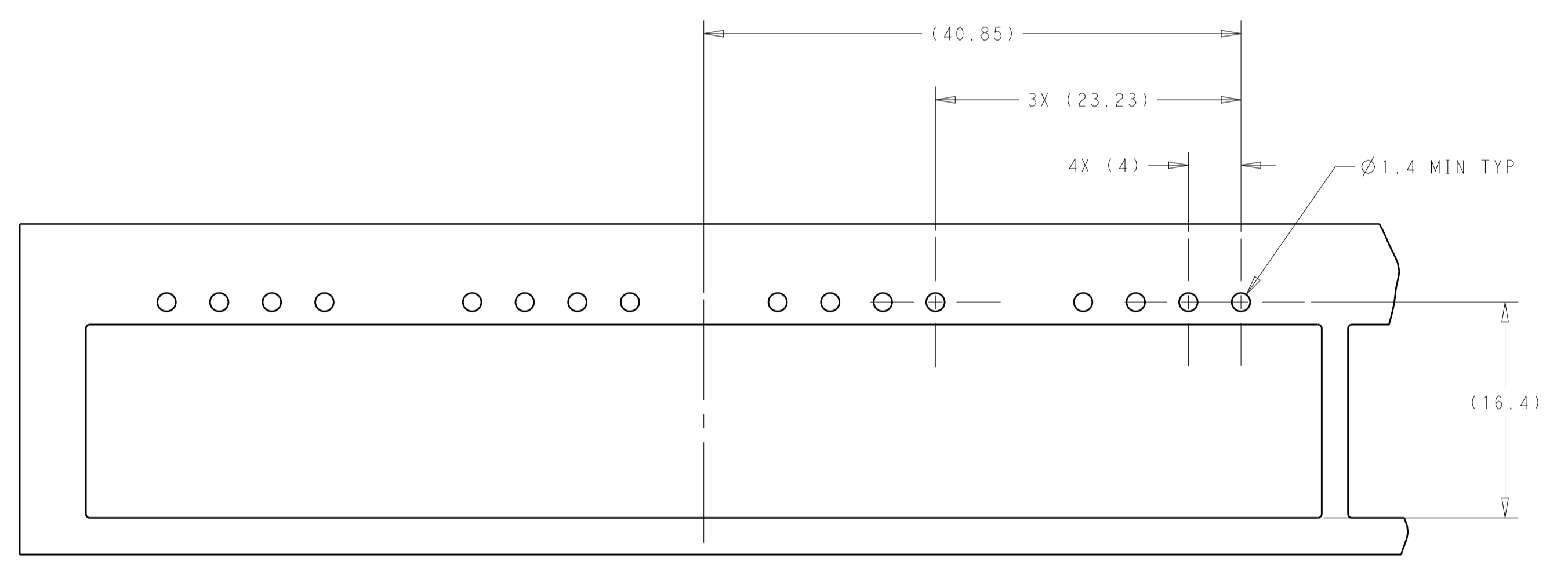
REVISIONS				
P.	LTH	DESCRIPTION	DATE	OWN APVD
-	-	SEE SHEET 1	-	-



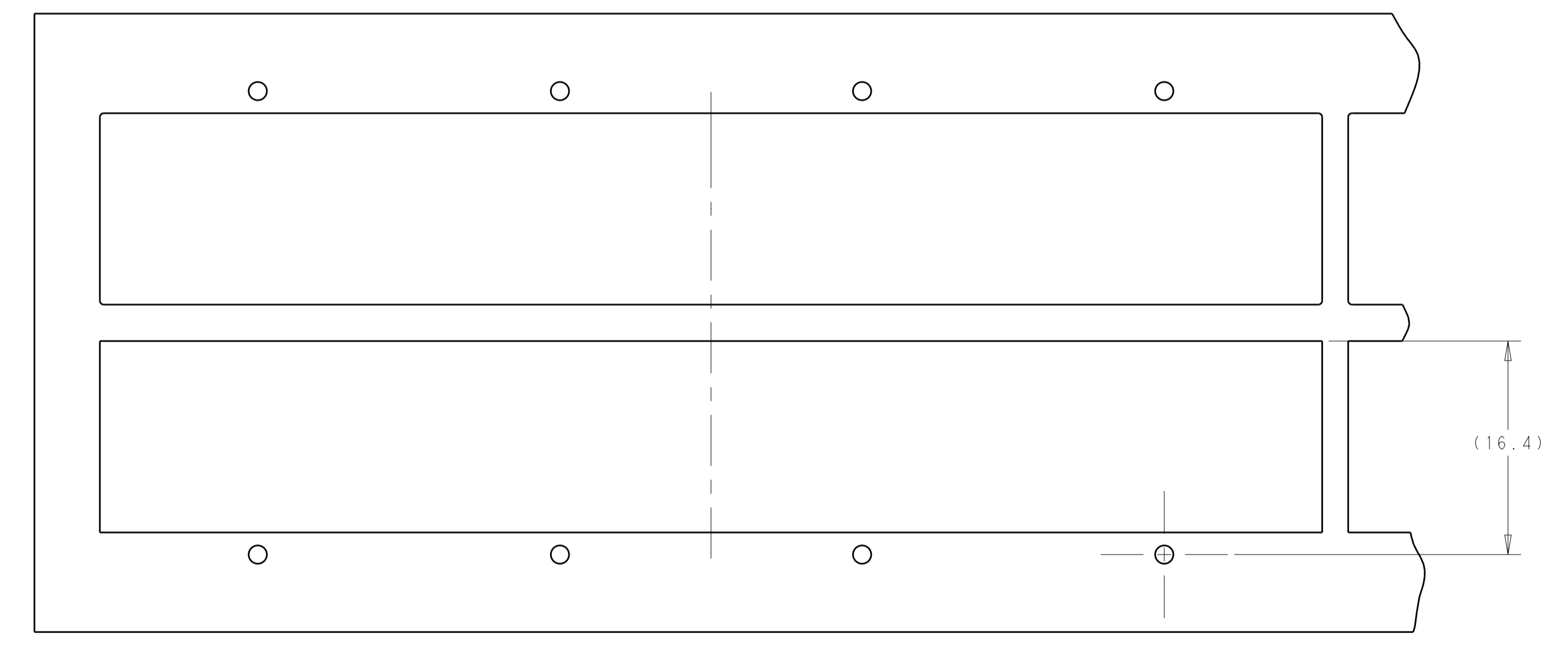
BEZEL LAYOUT FOR SINGLE LIGHT PIPE  
SINGLE SIDE



BEZEL LAYOUT FOR DOUBLE LIGHT PIPE  
SINGLE SIDE



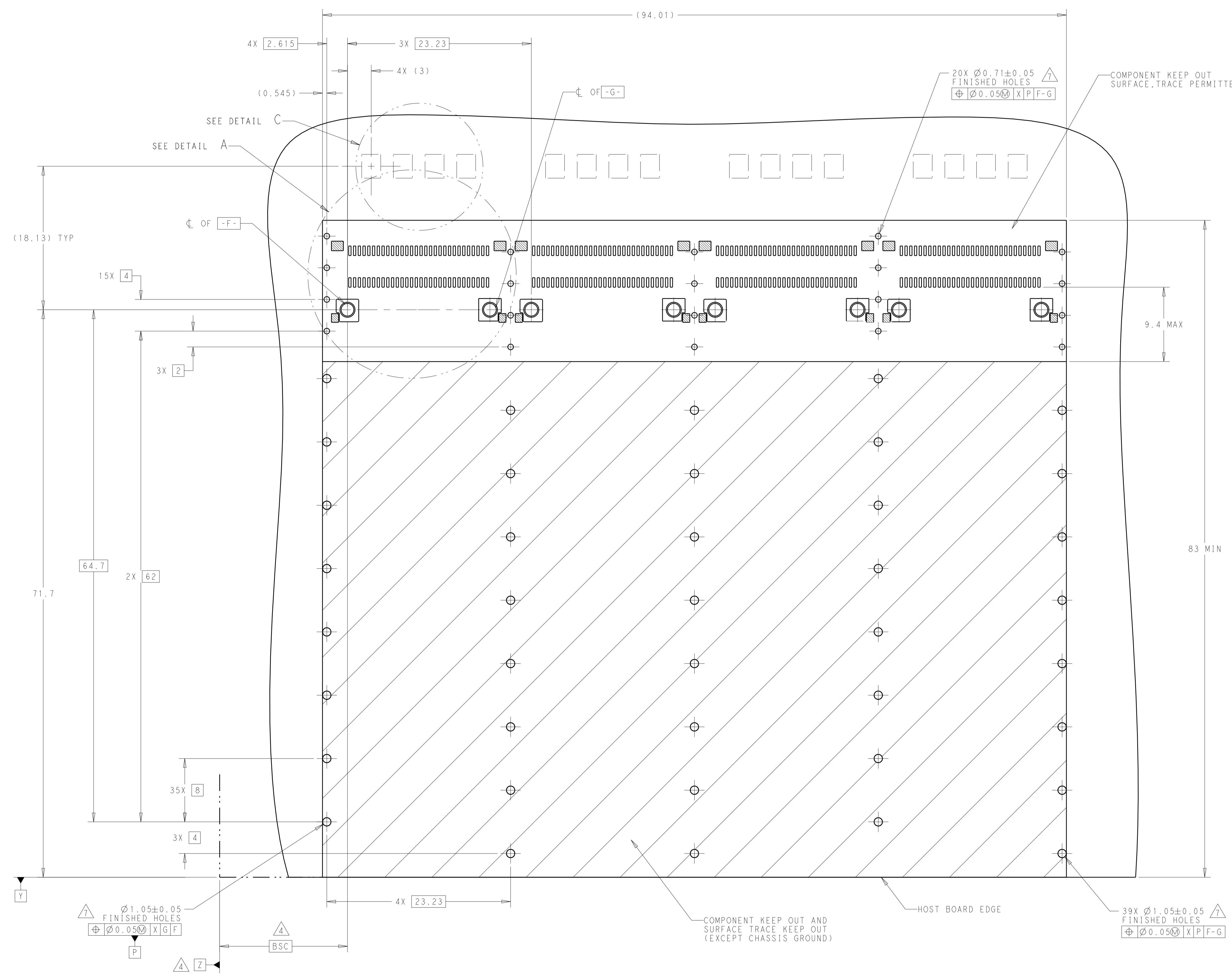
BEZEL LAYOUT FOR QUAD LIGHT PIPE  
SINGLE SIDE



BEZEL LAYOUT FOR LIGHT PIPES  
BELLY TO BELLY  
SIMILAR TO SINGLE SIDE  
EXCEPT WHERE NOTED

THIS DRAWING IS A CONTROLLED DOCUMENT.		OWN: ANDY XIE 07MAR2017	TE Connectivity
DIMENSIONS: mm		CHK: SEAN HAN 07MAR2017	
TOLERANCES UNLESS OTHERWISE SPECIFIED:		APVD: SEAN HAN 07MAR2017	NAME: CAGE ASSEMBLY, 1X4, OSFP
0 PLC ±0.25	1 PLC ±0.15	PRODUCT SPEC: 108-60117	SIZE: A1
2 PLC ±0.10	3 PLC ±0.10	APPLICATION SPEC: 114-130009	CAGE CODE: C=2315853
4 PLC ±0.10	ANGLES ±0.10	WEIGHT: -	RESTRICTED TO: -
MATERIAL: -	FINISH: -	CUSTOMER DRAWING	SCALE: 3:1 SHEET 4 OF 7 REV E

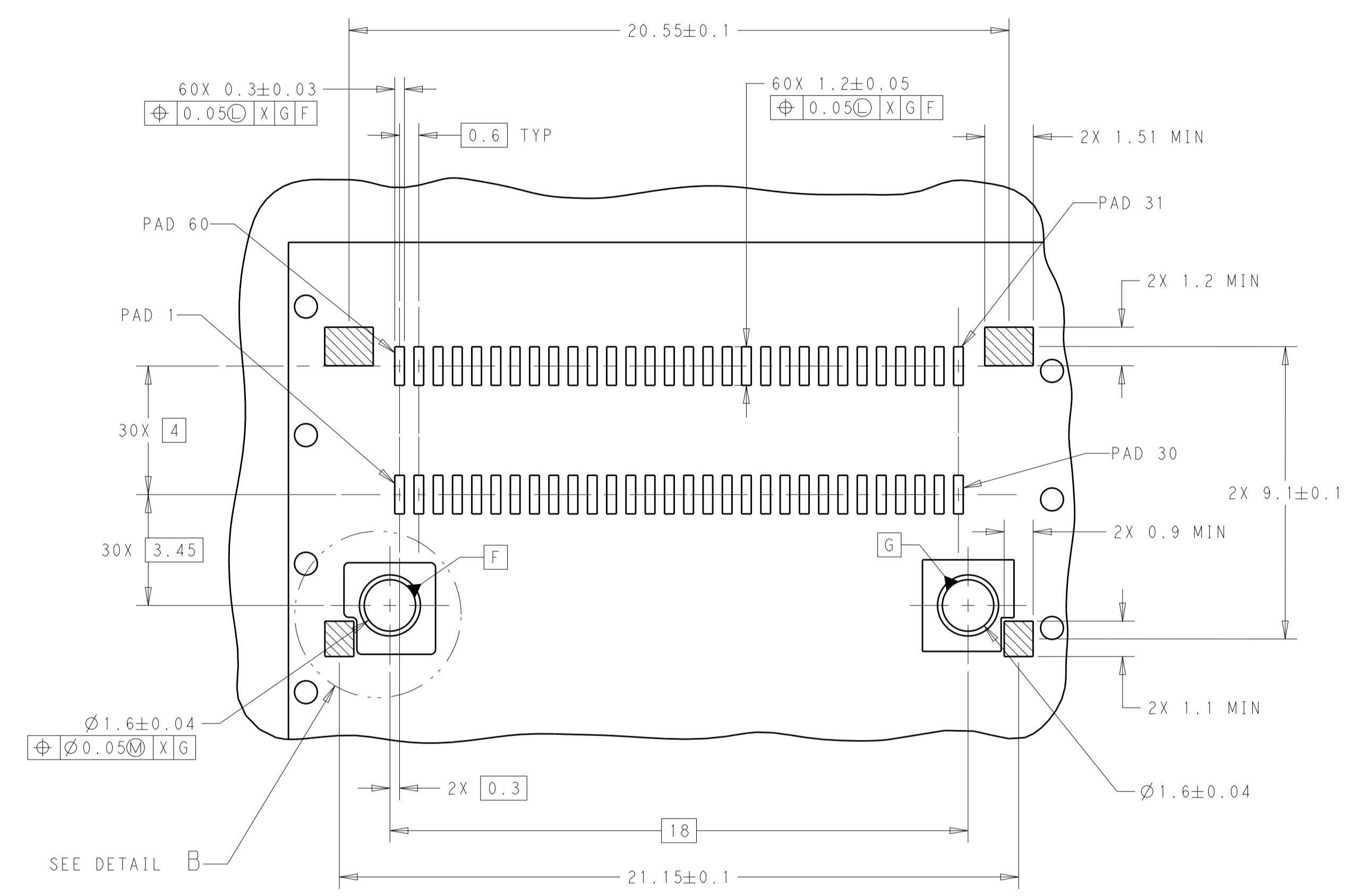
REVISIONS				
P.	LTN	DESCRIPTION	DATE	APVD
-	-	SEE SHEET 1	-	-



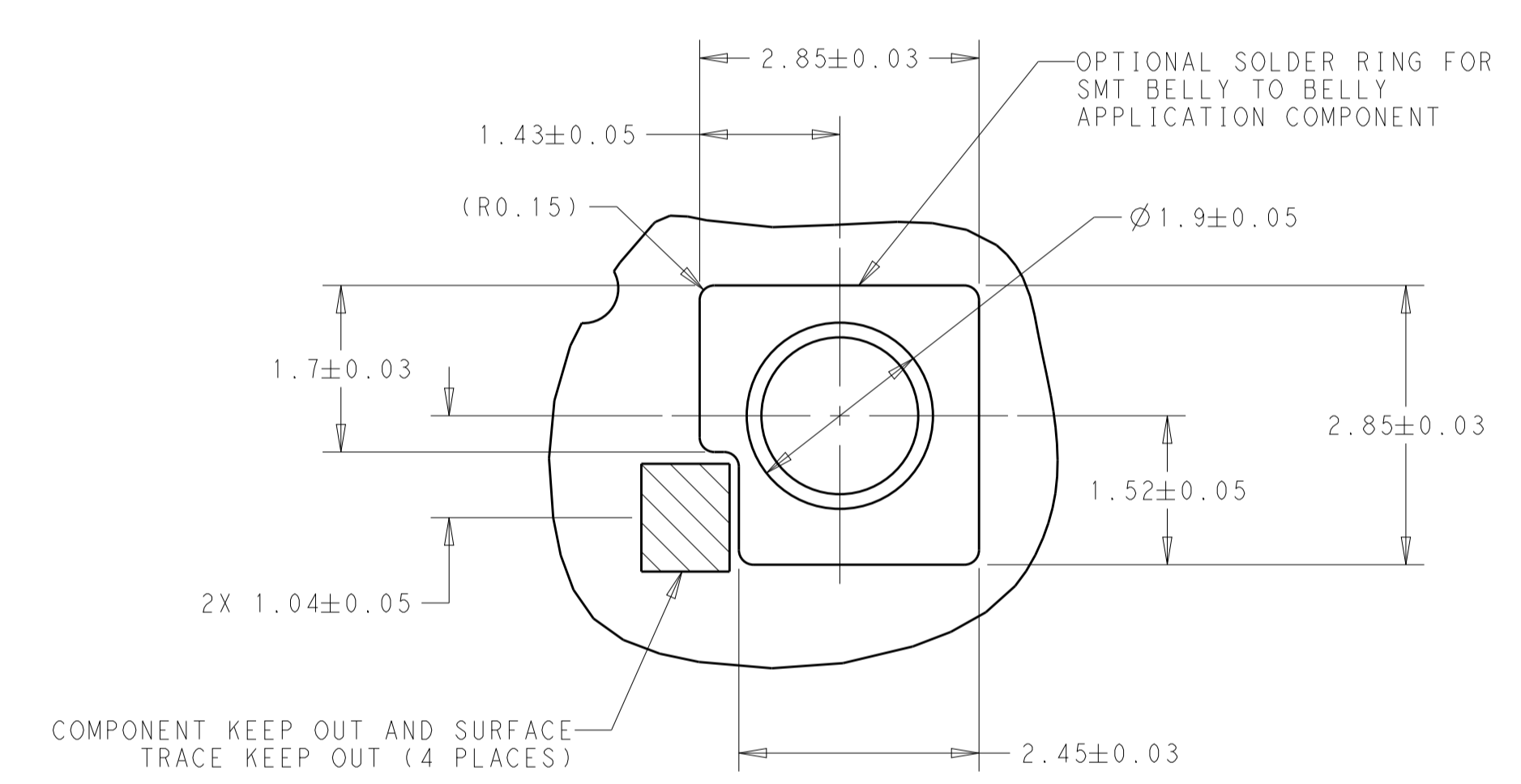
RECOMMENDED PCB LAYOUT  
SINGLE SIDED APPLICATION  
SCALE 4:1

THIS DRAWING IS A CONTROLLED DOCUMENT.		OWN: ANDY XIE 07MAR2017	TE Connectivity
DIMENSIONS: mm		CHK: SEAN HAN 07MAR2017	
TOLERANCES UNLESS OTHERWISE SPECIFIED:		APVD: SEAN HAN 07MAR2017	NAME: CAGE ASSEMBLY, 1X4, OSFP
0 PLC	±	PRODUCT SPEC	SIZE: A1
1 PLC	±0.25	108-60117	CAGE CODE: -
2 PLC	±0.15	APPLICATION SPEC	DRAWING NO: C=2315853
3 PLC	±0.10	114-130009	RESTRICTED TO: -
4 PLC	±	WEIGHT: -	SCALE: 3:1
ANGLES	±	CUSTOMER DRAWING	SHEET 5 OF 7
MATERIAL: -	FINISH: -		REV E

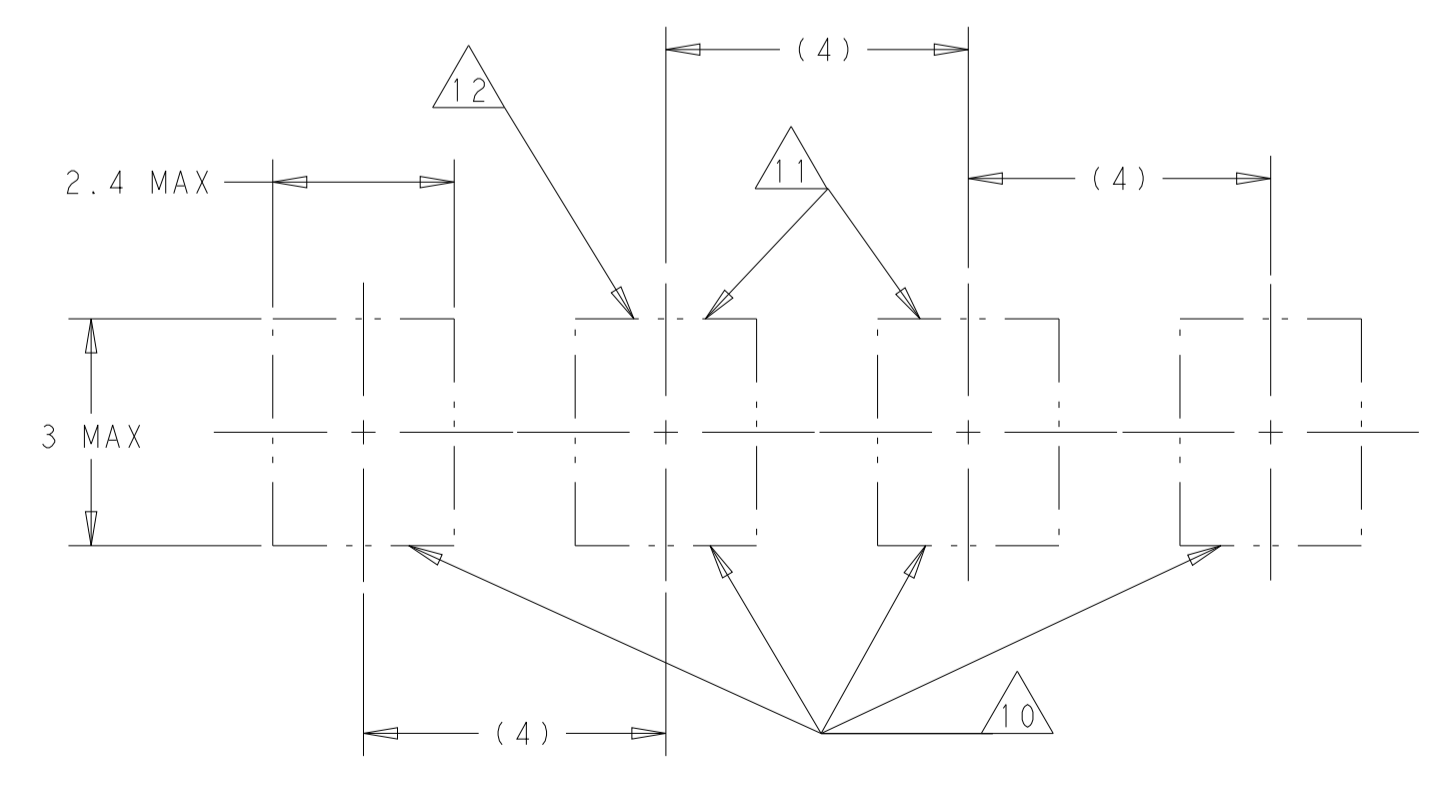
REVISIONS				
P	LTN	DESCRIPTION	DATE	APVD
-	-	SEE SHEET 1	-	-



4X INDIVIDUALLY  
 DETAIL A  
 SCALE 8:1



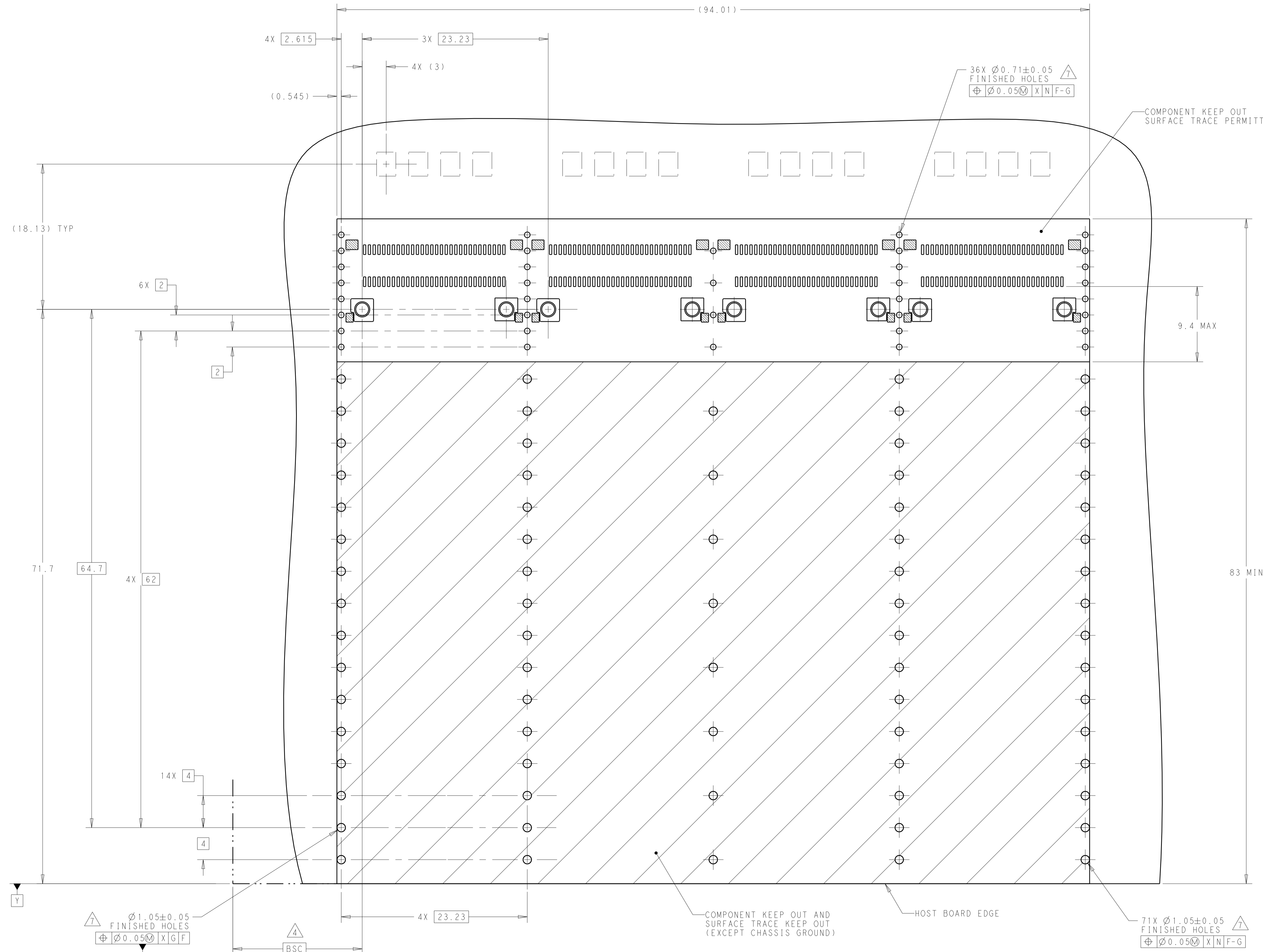
DETAIL B  
 SCALE 16:1



DETAIL C  
 SCALE 10:1

THIS DRAWING IS A CONTROLLED DOCUMENT.		OWN ANDY XIE 07MAR2017	TE Connectivity
DIMENSIONS: mm		CHK SEAN HAN 07MAR2017	
TOLERANCES UNLESS OTHERWISE SPECIFIED:		APVD SEAN HAN 07MAR2017	NAME CAGE ASSEMBLY, 1X4, OSFP
0 PLC ±	1 PLC ±0.25	PRODUCT SPEC	SIZE A1
2 PLC ±0.15	3 PLC ±0.10	108-60117	CAGE CODE DRAWING NO
4 PLC ±	ANGLES ±	APPLICATION SPEC	RESTRICTED TO
MATERIAL	FINISH	114-130009	SCALE 3:1 SHEET 6 OF 7 REV E
CUSTOMER DRAWING		WEIGHT	

REVISIONS				
P.	LTN.	DESCRIPTION	DATE	APVD.
-	-	SEE SHEET 1	-	-



RECOMMENDED PCB LAYOUT  
BELLY TO BELLY APPLICATION  
SCALE 4:1

THIS DRAWING IS A CONTROLLED DOCUMENT.		OWN: ANDY XIE 07MAR2017	TE Connectivity
DIMENSIONS: mm		CHK: SEAN HAN 07MAR2017	
TOLERANCES UNLESS OTHERWISE SPECIFIED:		APVD: SEAN HAN 07MAR2017	NAME: CAGE ASSEMBLY, 1X4, OSFP
0 PLC ±0.25	1 PLC ±0.15	PRODUCT SPEC: 108-60117	SIZE: A1
2 PLC ±0.10	3 PLC ±0.10	APPLICATION SPEC: 114-130009	CAGE CODE: -
4 PLC ±0.10	ANGLES ±0.10	WEIGHT: -	DRAWING NO: C=2315853
MATERIAL: -	FINISH: -	CUSTOMER DRAWING	RESTRICTED TO: -
SCALE: 3:1			SHEET: 7 of 7
REV: E			REV: E