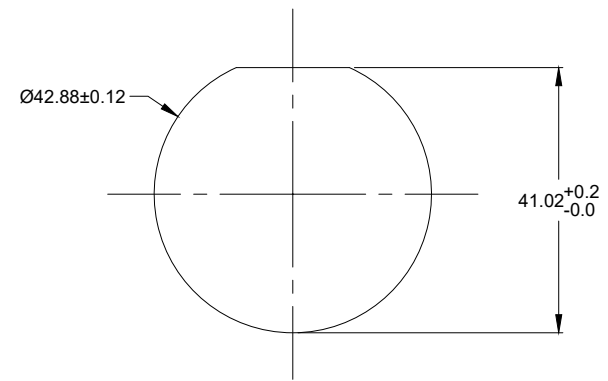
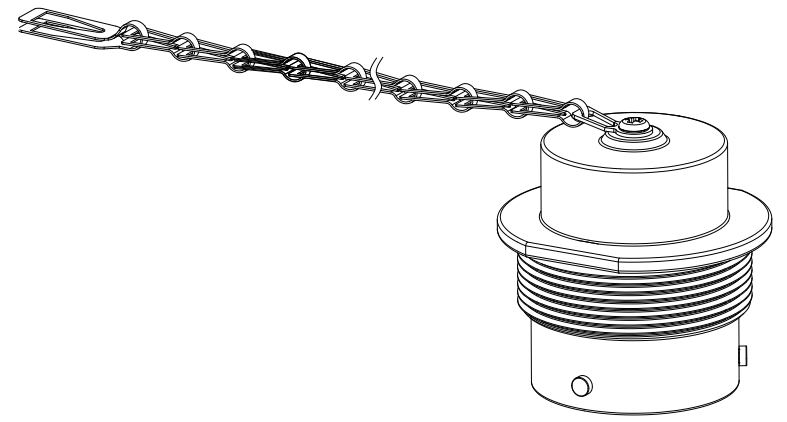
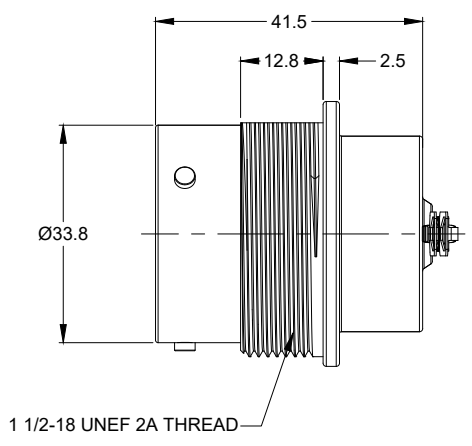


REVISIONS					
REV	ECO	DESCRIPTION	DATE	BY	APPR
A1	--	RELEASE NEW DRAWING	19/OCT/18	ROOKIE	TOMMY



RECOMMENDED PANEL MOUNTING HOLE  
RECOMMENDED PANEL THICKNESS: 1.6 TO 4.7MM

NOTES: UNLESS OTHERWISE SPECIFIED

- MATERIAL:  
SHELL: ALUMINUM ALLOY, NICKEL PLATED;  
CHAIN: STAINLESS STEEL;  
SEAL: SILICONE RUBBER.
- MATE WITH AHDM SERIES SIZE 18 PLUG ( AHDM06-18-\*\*\*\* , \* = ALL MODIFICATION ) .
- IP CLASS : IP67&IP69K ( MATED CONDITION ) .
- RoHS COMPLIANT.
- ALL DIMENSIONS ARE FOR REFERENCE USE ONLY.

AHDC34-18		DESCRIPTION		ITEM
PART NUMBER		DESCRIPTION		ITEM
QUANTITY	MATERIALS LIST			
UNLESS OTHERWISE SPECIFIED 1) All dimensions are in metric(mm). 2) Tolerances are as follows: 1 PL DEC ±0.30    Fractions ±1/64 2 PL DEC ±0.15    Angles ±1° 3 PL DEC ±0.08		SIGNATURES	DATE	<h1>Amphenol</h1> <p>Sine Systems - www.amphenol-sine.com 44724 Morley Drive Clinton Township, MI 48036</p>
3) Note reference =		DRAWN: ROOKIE	19/OCT/18	
MATERIAL SPECIFICATIONS:		CHECKED: ORION	19/OCT/18	
PROCESS SPECIFICATIONS:		ENGINEER:		
NEXT ASSY:		APPROVAL: TOMMY	19/OCT/18	
		CUSTOMER:		
		THIS DRAWING IS SUPPLIED FOR INFORMATION ONLY. DESIGN FEATURES, SPECIFICATIONS AND PERFORMANCE DATA SHOWN HEREON ARE THE PROPERTY OF THE AMPHENOL CORPORATION. NO RIGHTS OF REPRODUCTION ARE IMPLIED. ALL DIMENSIONS ARE SUBJECT TO NORMAL MANUFACTURING VARIATIONS.		
		SIZE: B C-	DWG NO: AHDC34-18	REVISION: A1
		SCALE: NONE	SHEET 1 OF 1	

TITLE: PROTECTIVE CAP FOR PLUG,AHDM,SIZE 18  
DWG NO: AHDC34-18  
REV: A1  
SH: 1  
OF: 1