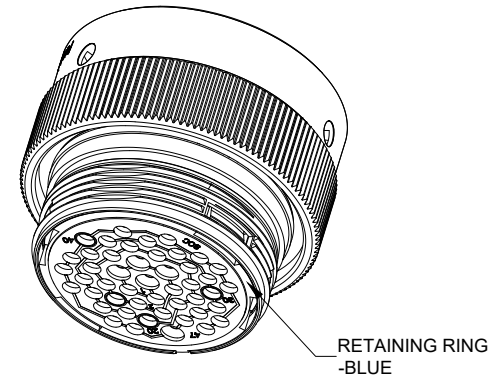
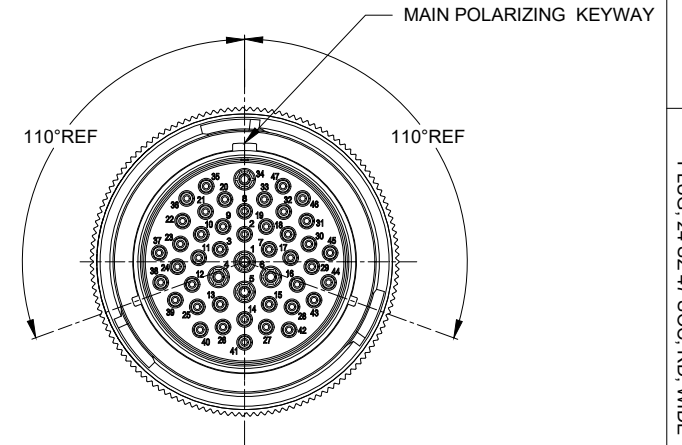
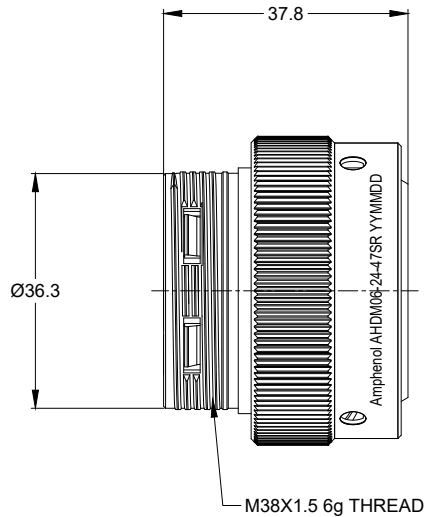
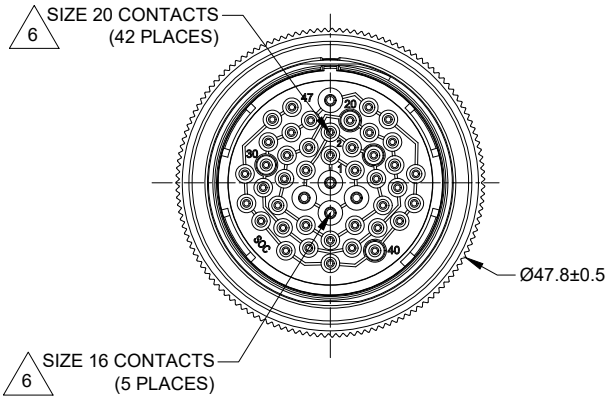


REVISIONS					
REV	ECO	DESCRIPTION	DATE	BY	APPR
A1	--	RELEASE NEW DRAWING	18/OCT/18	BROOK	TOMMY
A2	--	ADD MORE MATERIAL NOTES	25/OCT/18	BROOK	TOMMY



NOTES: UNLESS OTHERWISE SPECIFIED

- MATERIAL:
 - SHELL: ZINC ALLOY, NICKEL PLATED
 - COUPLING RING: ALUMINUM ALLOY, NICKEL PLATED
 - INSERT AND RETAINING RING: THERMOPLASTIC
 - SEAL: SILICONE RUBBER
- MODIFICATIONS: THREADED HOUSING; REDUCED DIA. WIRE SEAL
- SPECIFICATIONS:
 - 3.1 OPERATING TEMPERATURE: -55°C TO +125°C.
 - 3.2 DIELECTRIC WITHSTANDING VOLTAGE: LESS THAN 2 MILLIAMPS CURRENT LEAKAGE @ 1500 VOLTS AC.
 - 3.3 INSULATION RESISTANCE: 1000 MEGOHM MIN @ 25°C.
 - 3.4 MOISTURE RESISTANCE: IP67&IP69K (MATED CONDITION).
 - 3.5 MATING CYCLE DURABILITY: 100 CYCLES
 - 3.6 RoHS COMPLIANT
- MATING PART: AHDM04-24-47P* (* = SEAL TYPE)
- ALL DIMENSIONS ARE FOR REFERENCE USE ONLY.

6 CONTACT SIZE AND WIRE RANGE:

CONTACT SIZE	MIN. INSUL O.D.	MAX. INSUL O.D.	TYPICAL WIRE RANGE	CURRENT RATING
20	1.02 mm (.040 in)	2.10 mm (.083 in)	16-22 AWG	7.5 AMPS
16	1.35 mm (.053in)	2.62 mm (.103 in)	14-20 AWG	13 AMPS

TITLE: PLUG, 24 SZ 47 SOC, RD, WIDE THD
 DWG NO: AHDM06-24-47SR
 REV: A2
 SH: 1
 OF: 1

AHDM06-24-47SR		PART NUMBER		DESCRIPTION		ITEM																																																																								
<table border="1"> <thead> <tr> <th>QUANTITY</th> <th colspan="6">MATERIALS LIST</th> </tr> </thead> <tbody> <tr> <td colspan="2">UNLESS OTHERWISE SPECIFIED</td> <td colspan="2">SIGNATURES</td> <td colspan="2">DATE</td> <td rowspan="4"> <p style="text-align: center;">Amphenol</p> <p style="text-align: center;">Sine Systems - www.amphenol-sine.com 44724 Morley Drive Clinton Township, MI 48036</p> </td> </tr> <tr> <td colspan="2">1) All dimensions are in metric(mm).</td> <td colspan="2">DRAWN: BROOK</td> <td colspan="2">25/OCT/18</td> </tr> <tr> <td colspan="2">2) Tolerances are as follows:</td> <td colspan="2">CHECKED: ORION</td> <td colspan="2">25/OCT/18</td> </tr> <tr> <td colspan="2">1 PL DEC ±0.30 Fractions ±1/64</td> <td colspan="2">ENGINEER:</td> <td colspan="2"></td> </tr> <tr> <td colspan="2">2 PL DEC ±0.15 Angles ±1°</td> <td colspan="2">APPROVAL: TOMMY</td> <td colspan="2">25/OCT/18</td> <td rowspan="3"> <p style="text-align: center;">PLUG, 24 SZ 47 SOC, RD, WIDE THD</p> </td> </tr> <tr> <td colspan="2">3) Note reference = </td> <td colspan="2">CUSTOMER:</td> <td colspan="2"></td> </tr> <tr> <td colspan="2">MATERIAL SPECIFICATIONS:</td> <td colspan="4"> <p>THIS DRAWING IS SUPPLIED FOR INFORMATION ONLY. DESIGN FEATURES, SPECIFICATIONS AND PERFORMANCE DATA SHOWN HEREON ARE THE PROPERTY OF THE AMPHENOL CORPORATION. NO RIGHTS OF REPRODUCTION ARE IMPLIED. ALL DIMENSIONS ARE SUBJECT TO NORMAL MANUFACTURING VARIATIONS.</p> </td> </tr> <tr> <td colspan="2">PROCESS SPECIFICATIONS:</td> <td colspan="2">SIZE</td> <td colspan="2">TYPE</td> <td>DWG NO:</td> </tr> <tr> <td colspan="2">NEXT ASSY:</td> <td colspan="2">B C-</td> <td colspan="2">AHDM06-24-47SR</td> <td>REVISION</td> </tr> <tr> <td colspan="2"></td> <td colspan="2">SCALE: NONE</td> <td colspan="2">SHEET 1 OF 1</td> <td>A2</td> </tr> </tbody> </table>							QUANTITY	MATERIALS LIST						UNLESS OTHERWISE SPECIFIED		SIGNATURES		DATE		<p style="text-align: center;">Amphenol</p> <p style="text-align: center;">Sine Systems - www.amphenol-sine.com 44724 Morley Drive Clinton Township, MI 48036</p>	1) All dimensions are in metric(mm).		DRAWN: BROOK		25/OCT/18		2) Tolerances are as follows:		CHECKED: ORION		25/OCT/18		1 PL DEC ±0.30 Fractions ±1/64		ENGINEER:				2 PL DEC ±0.15 Angles ±1°		APPROVAL: TOMMY		25/OCT/18		<p style="text-align: center;">PLUG, 24 SZ 47 SOC, RD, WIDE THD</p>	3) Note reference =		CUSTOMER:				MATERIAL SPECIFICATIONS:		<p>THIS DRAWING IS SUPPLIED FOR INFORMATION ONLY. DESIGN FEATURES, SPECIFICATIONS AND PERFORMANCE DATA SHOWN HEREON ARE THE PROPERTY OF THE AMPHENOL CORPORATION. NO RIGHTS OF REPRODUCTION ARE IMPLIED. ALL DIMENSIONS ARE SUBJECT TO NORMAL MANUFACTURING VARIATIONS.</p>				PROCESS SPECIFICATIONS:		SIZE		TYPE		DWG NO:	NEXT ASSY:		B C-		AHDM06-24-47SR		REVISION			SCALE: NONE		SHEET 1 OF 1		A2
QUANTITY	MATERIALS LIST																																																																													
UNLESS OTHERWISE SPECIFIED		SIGNATURES		DATE		<p style="text-align: center;">Amphenol</p> <p style="text-align: center;">Sine Systems - www.amphenol-sine.com 44724 Morley Drive Clinton Township, MI 48036</p>																																																																								
1) All dimensions are in metric(mm).		DRAWN: BROOK		25/OCT/18																																																																										
2) Tolerances are as follows:		CHECKED: ORION		25/OCT/18																																																																										
1 PL DEC ±0.30 Fractions ±1/64		ENGINEER:																																																																												
2 PL DEC ±0.15 Angles ±1°		APPROVAL: TOMMY		25/OCT/18		<p style="text-align: center;">PLUG, 24 SZ 47 SOC, RD, WIDE THD</p>																																																																								
3) Note reference =		CUSTOMER:																																																																												
MATERIAL SPECIFICATIONS:		<p>THIS DRAWING IS SUPPLIED FOR INFORMATION ONLY. DESIGN FEATURES, SPECIFICATIONS AND PERFORMANCE DATA SHOWN HEREON ARE THE PROPERTY OF THE AMPHENOL CORPORATION. NO RIGHTS OF REPRODUCTION ARE IMPLIED. ALL DIMENSIONS ARE SUBJECT TO NORMAL MANUFACTURING VARIATIONS.</p>																																																																												
PROCESS SPECIFICATIONS:		SIZE		TYPE		DWG NO:																																																																								
NEXT ASSY:		B C-		AHDM06-24-47SR		REVISION																																																																								
		SCALE: NONE		SHEET 1 OF 1		A2																																																																								