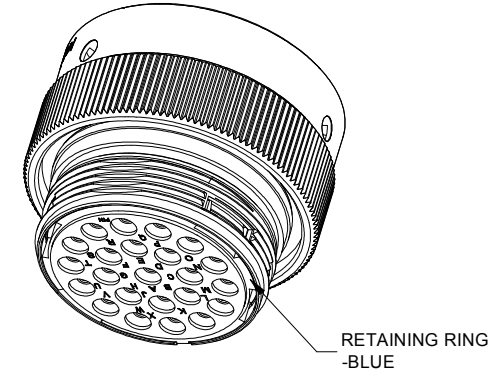
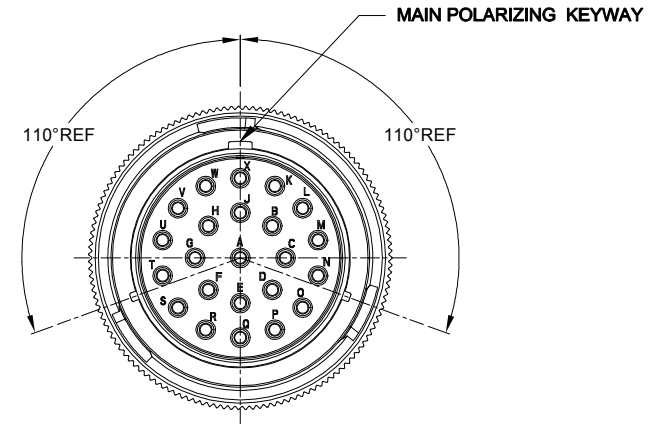
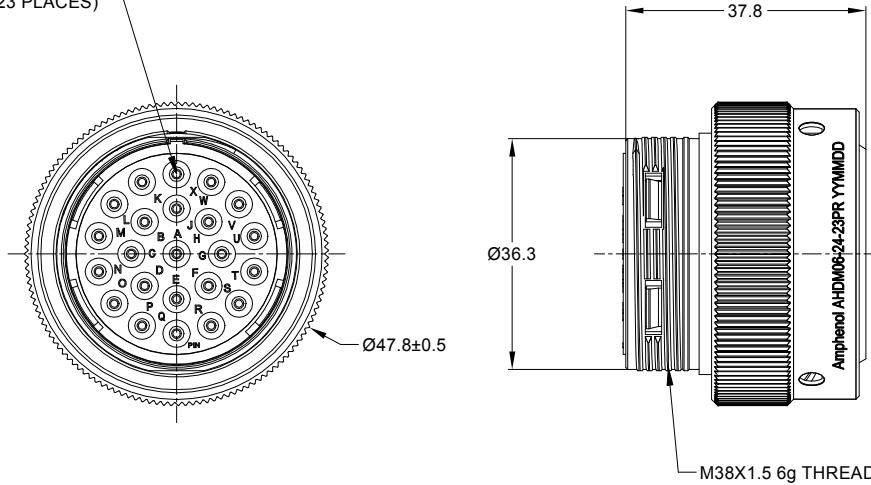


| REVISIONS | | | | | |
|-----------|-----|-------------------------|-----------|-------|-------|
| REV | ECO | DESCRIPTION | DATE | BY | APPR |
| A1 | - | RELEASE NEW DRAWING | 18/OCT/18 | BROOK | TOMMY |
| A2 | - | ADD MORE MATERIAL NOTES | 25/OCT/18 | BROOK | TOMMY |

6 SIZE 16 CONTACTS
(23 PLACES)



NOTES: UNLESS OTHERWISE SPECIFIED

- MATERIAL:**
SHELL: ZINC ALLOY, NICKEL PLATED
COUPLING RING: ALUMINUM ALLOY, NICKEL PLATED
INSERT AND RETAINING RING: THERMOPLASTIC
SEAL: SILICONE RUBBER
- MODIFICATIONS:** THREADED HOUSING; REDUCED DIA. WIRE SEAL
- SPECIFICATIONS:**
 - OPERATING TEMPERATURE: -55°C TO +125°C.
 - DIELECTRIC WITHSTANDING VOLTAGE: LESS THAN 2 MILLIAMPS CURRENT LEAKAGE @ 1500 VOLTS AC.
 - INSULATION RESISTANCE: 1000 MEGOHM MIN @ 25°C.
 - MOISTURE RESISTANCE: IP67&IP69K (MATED CONDITION).
 - MATING CYCLE DURABILITY: 100 CYCLES
 - RoHS COMPLIANT
- MATING PART:** AHDM04-24-23S* (* = SEAL TYPE)
- ALL DIMENSIONS ARE FOR REFERENCE USE ONLY.**

6 CONTACT SIZE AND WIRE RANGE:

| CONTACT SIZE | MIN. INSUL O.D. | MAX. INSUL O.D. | TYPICAL WIRE RANGE | CURRENT RATING |
|--------------|-------------------|-------------------|--------------------|----------------|
| 16 | 1.35 mm (.053 in) | 3.05 mm (.120 in) | 14-20 AWG | 13 AMPS |

TITLE: PLUG, 24 SZ 23 PIN, RD, WIDE THD
DWG NO.: AHDM06-24-23PR
REV: A2
SH: 1
OF: 1

| | | | | |
|--|------|----------------|----------|------|
| AHDM06-24-23PR | | DESCRIPTION | | ITEM |
| PART NUMBER | | DESCRIPTION | | ITEM |
| QUANTITY | | | | |
| MATERIALS LIST | | | | |
| UNLESS OTHERWISE SPECIFIED | | | | |
| 1) All dimensions are in metric(mm). | | | | |
| 2) Tolerances are as follows: | | | | |
| 1 PL DEC ±0.30 | | | | |
| 2 PL DEC ±0.15 | | | | |
| 3 PL DEC ±0.08 | | | | |
| 3) Note reference = \triangle | | | | |
| SIGNATURES | | DATE | | |
| DRAWN: BROOK | | 25/OCT/18 | | |
| CHECKED: ORION | | 25/OCT/18 | | |
| ENGINEER: | | | | |
| APPROVAL: TOMMY | | 25/OCT/18 | | |
| CUSTOMER: | | | | |
| MATERIAL SPECIFICATIONS: | | | | |
| PROCESS SPECIFICATIONS: | | | | |
| NEXT ASSY: | | | | |
| THIS DRAWING IS SUPPLIED FOR INFORMATION ONLY. DESIGN FEATURES, SPECIFICATIONS AND PERFORMANCE DATA SHOWN HEREON ARE THE PROPERTY OF THE AMPHENOL CORPORATION. NO RIGHTS OF REPRODUCTION ARE IMPLIED. ALL DIMENSIONS ARE SUBJECT TO NORMAL MANUFACTURING VARIATIONS. | | | | |
| SIZE | TYPE | DWG NO. | REVISION | |
| B C- | NONE | AHDM06-24-23PR | A2 | |
| SHEET 1 OF 1 | | | | |

Amphenol

Sine Systems - www.amphenol-sine.com
44724 Morley Drive
Clinton Township, MI 48036

PLUG, 24 SZ 23 PIN, RD, WIDE THD