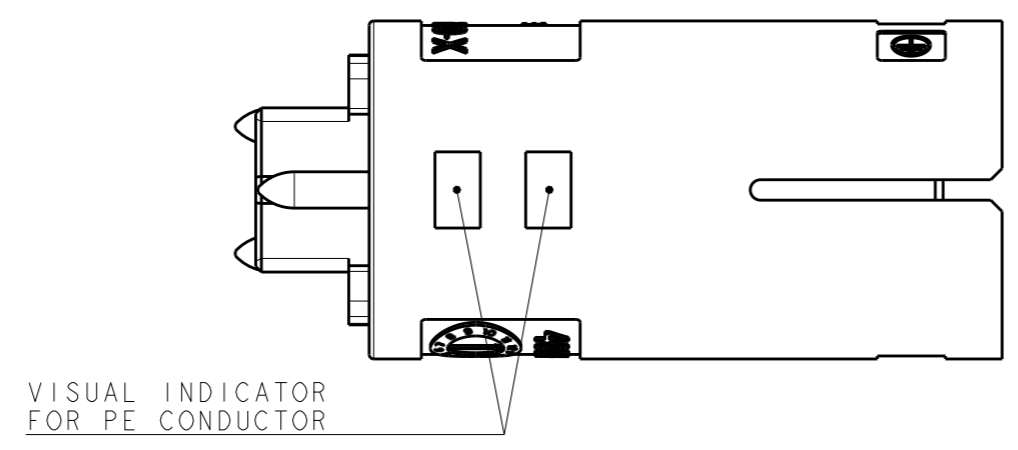


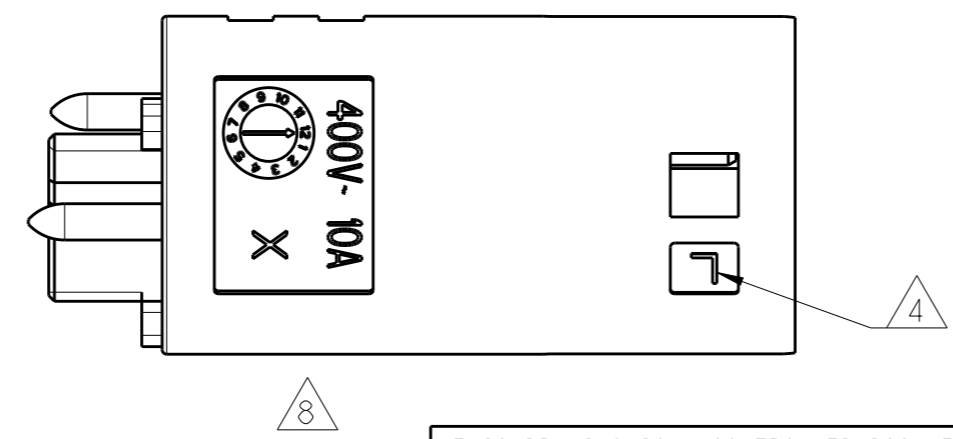
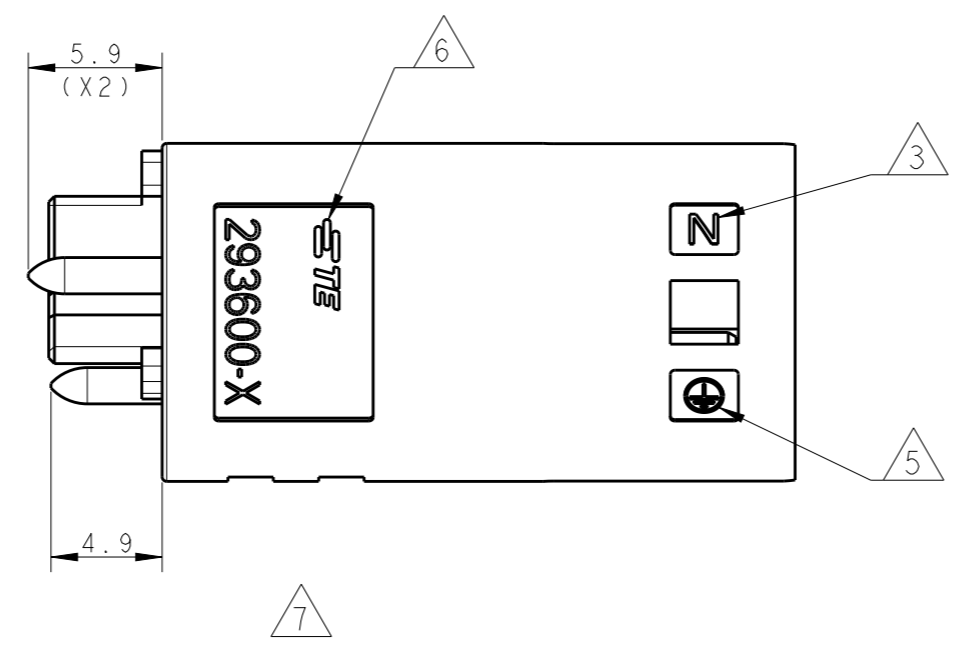
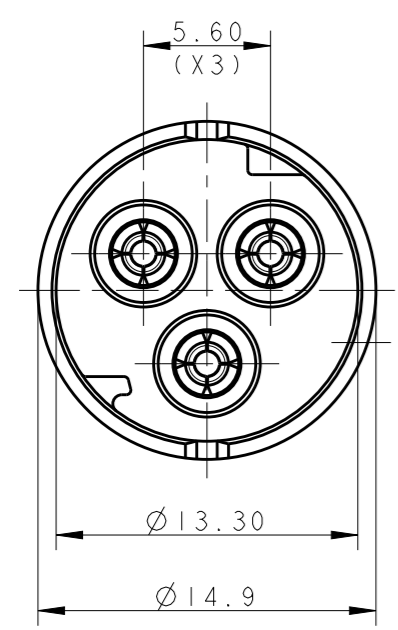
THIS DRAWING IS UNPUBLISHED. RELEASED FOR PUBLICATION 20
 © COPYRIGHT 20 BY - ALL RIGHTS RESERVED.

REVISIONS					
P	LTR	DESCRIPTION	DATE	DWN	APVD
	E	UPDATED	20FEB2013	MZ	JC
	F	PARTS -1, -2, -3	27JUN2013	KR	JC
	F1	REVISED PART NUMBERS	12SEP2017	SK	ZM

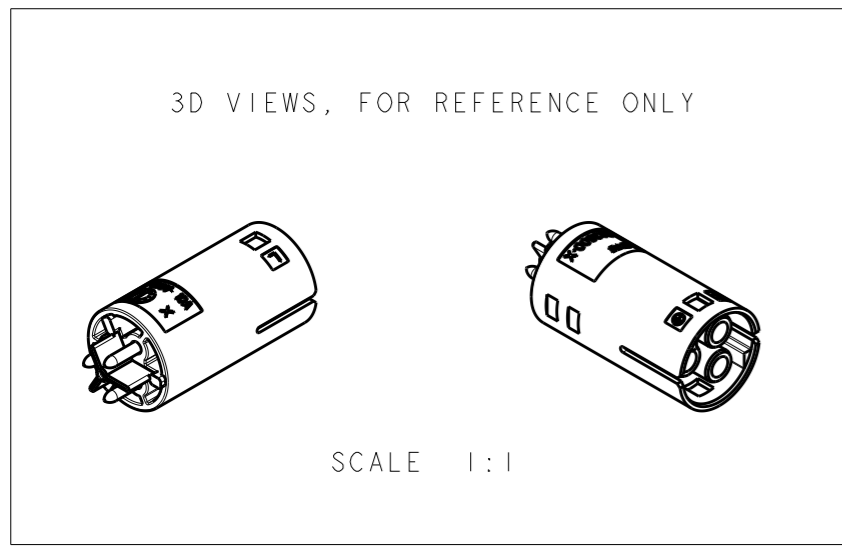


NOTES:
 1) MATERIAL: POLYAMIDE GLASS FILLED NATURAL COLOUR
 2) PACKAGING: SEE TE PACKAGING SPECIFICATION 107-20294

- △3 N CODE
- △4 L CODE
- △5 PE CODE
- △6 TE CODE
- △7 RATED VOLTAGE
- △8 RATED CURRENT
- △9 PART NOT YET RELEASED FOR PRODUCTION



NOTE	POL. KEYING	COLOUR	DESCRIPTION	REV.	PART NUMBER
△9	D	NATURAL	SOCKET CONN. PCB VERTICAL NECTOR* M-LINE	E	293602-4
	C	NATURAL	SOCKET CONN. PCB VERTICAL NECTOR* M-LINE	F	293602-3
	B	NATURAL	SOCKET CONN. PCB VERTICAL NECTOR* M-LINE	F	293602-2
	A	NATURAL	SOCKET CONN. PCB VERTICAL NECTOR* M-LINE	F	293602-1



THIS DRAWING IS A CONTROLLED DOCUMENT.

DIMENSIONS:	TOLERANCES UNLESS OTHERWISE SPECIFIED:
mm	0 PLC ±0.3
	1 PLC ±0.20
	2 PLC ±0.20
	3 PLC ±0.20
	4 PLC ±0.20
	ANGLES ±3°
MATERIAL	FINISH
material_2	finish_spec_2

DWN	M. ZUCCA	28OCT2009	STE TE Connectivity
CHK	M. ZUCCA	28OCT2009	
APVD	G. TURCO	28OCT2009	
PRODUCT SPEC			NAME
108-20304			SOCKET CONNECTOR PCB VERTICAL VERSION NECTOR* M-LINE 3 POS. UNSEALED
APPLICATION SPEC			SIZE
114-20152			A300779
WEIGHT			CAGE CODE
-			G-293602
CUSTOMER DRAWING			DRAWING NO
SCALE 3:1			RESTRICTED TO
SHEET 1 OF 3			-
REV F1			

THIS DRAWING IS UNPUBLISHED.

RELEASED FOR PUBLICATION

20

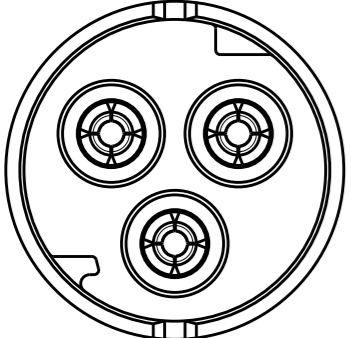
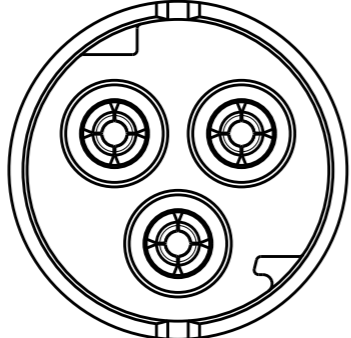
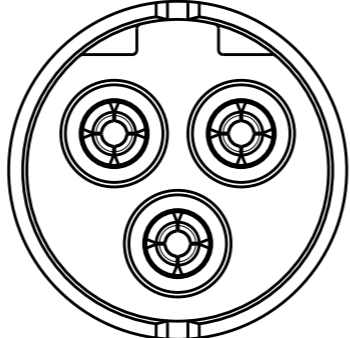
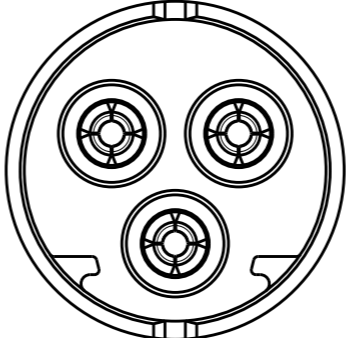
© COPYRIGHT 20 BY -


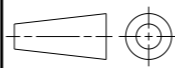
ALL RIGHTS RESERVED.

REVISIONS

P	LTR	DESCRIPTION	DATE	DWN	APVD
-		SEE SHEET 1	-	-	-

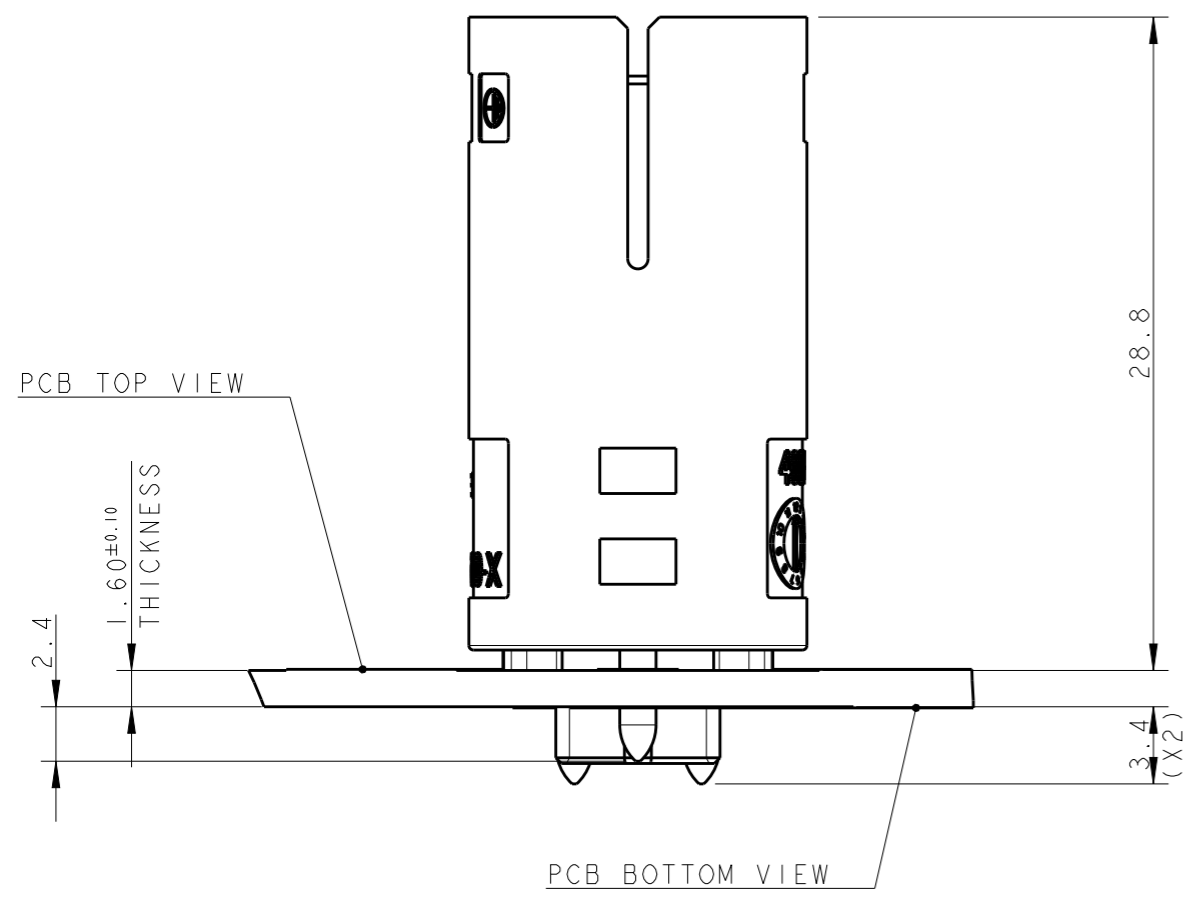
POLARIZATION KEYS

TYPE "A"	TYPE "B"	TYPE "C"	TYPE "D"
P/N 293602-1 AS SHOWN	P/N 293602-2 AS SHOWN	P/N 293602-3 AS SHOWN	P/N 293602-4 AS SHOWN
			

THIS DRAWING IS A CONTROLLED DOCUMENT.		DWN M. ZUCCA 28OCT2009	 TE Connectivity		
DIMENSIONS: mm		CHK M. ZUCCA 28OCT2009			
		APVD G. TURCO 28OCT2009			
TOLERANCES UNLESS OTHERWISE SPECIFIED:		PRODUCT SPEC 108-20304	NAME SOCKET CONNECTOR PCB VERTICAL VERSION NECTOR* M-LINE 3 POS. UNSEALED		
0 PLC ±-		APPLICATION SPEC 114-20152	SIZE A3	CAGE CODE 00779	DRAWING NO C-293602
1 PLC ±0.3		WEIGHT -	RESTRICTED TO -		
2 PLC ±0.20		SCALE 3:1			
3 PLC ±-		SHEET 2 OF 3			
4 PLC ±-		REV F1			
ANGLES ±3°		CUSTOMER DRAWING			
MATERIAL - material_2		FINISH - finish_spec_2			

THIS DRAWING IS UNPUBLISHED. RELEASED FOR PUBLICATION 20
 © COPYRIGHT 20 BY - ALL RIGHTS RESERVED.

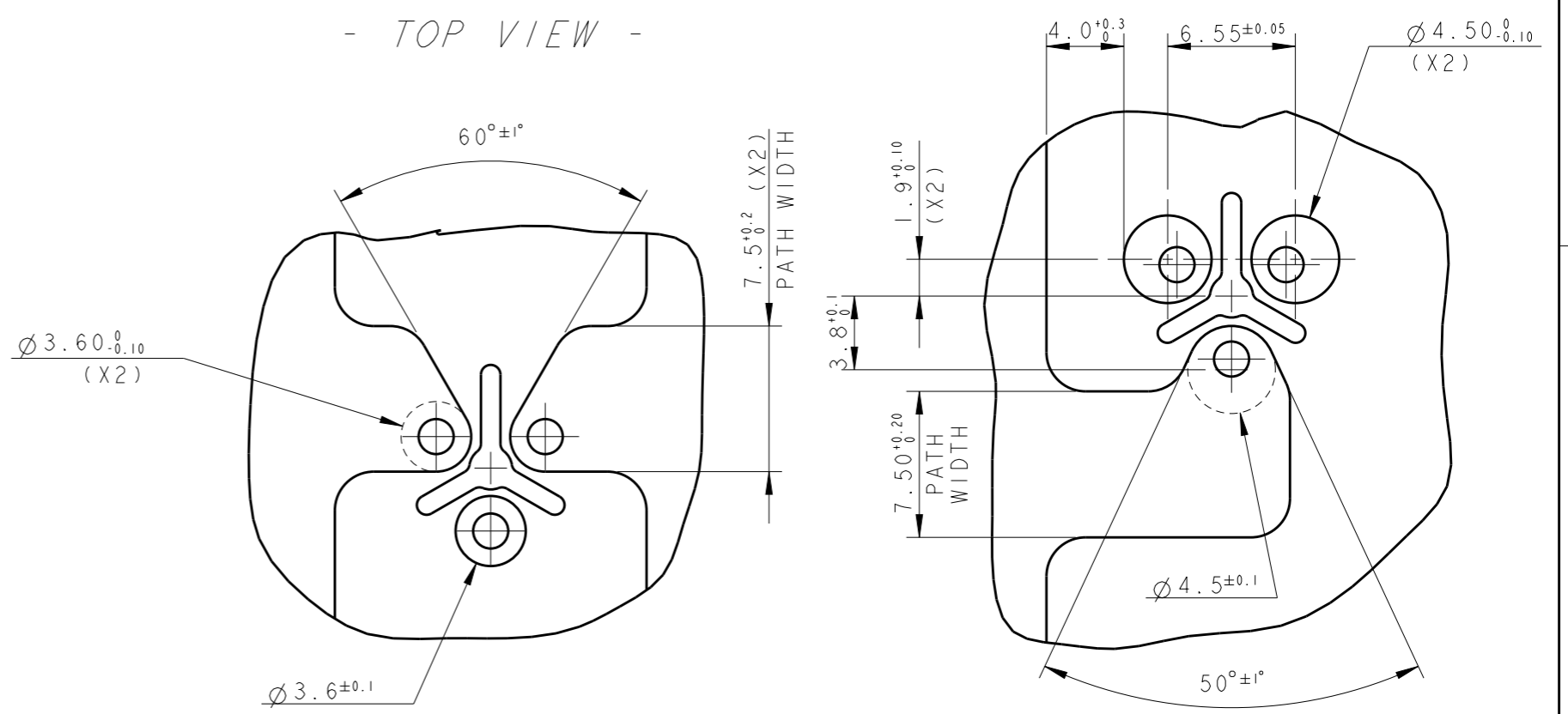
REVISIONS					
P	LTR	DESCRIPTION	DATE	DWN	APVD
-	-	SEE SHEET 1	-	-	-



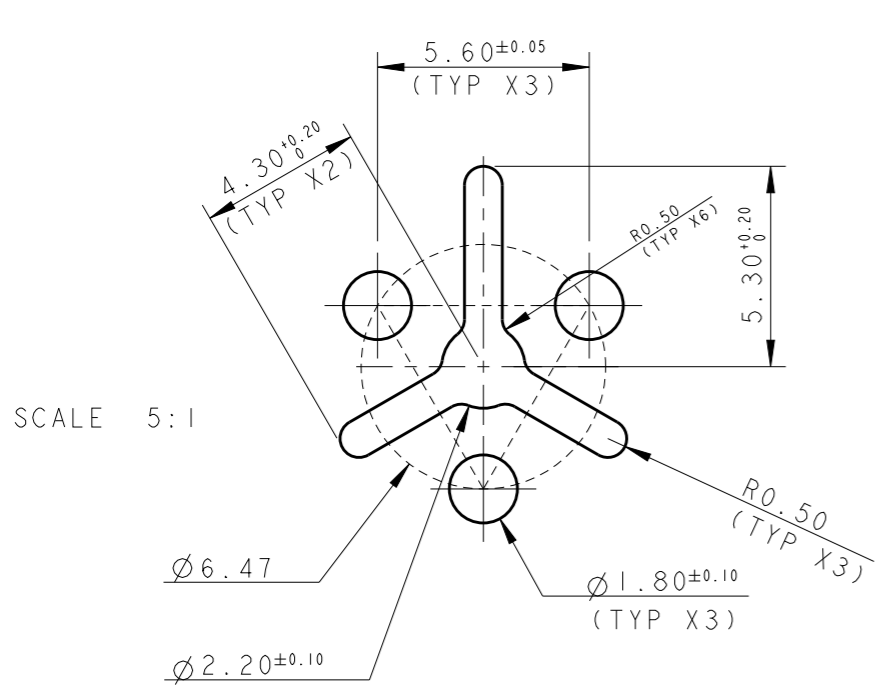
SUGGESTED L, N AND PE TRACKS LAYOUT ON PCB


- BOTTOM VIEW -

- TOP VIEW -



SUGGESTED PCB LAYOUT



THIS DRAWING IS A CONTROLLED DOCUMENT.		DWN M. ZUCCA 28OCT2009	 TE Connectivity		
DIMENSIONS: mm		CHK M. ZUCCA 28OCT2009			
TOLERANCES UNLESS OTHERWISE SPECIFIED:		APVD G. TURCO 28OCT2009	NAME SOCKET CONNECTOR PCB VERTICAL VERSION NECTOR* M-LINE 3 POS. UNSEALED		
0 PLC ±-		PRODUCT SPEC 108-20304	SIZE A300779		
1 PLC ±0.3		APPLICATION SPEC 114-20152	CAGE CODE C-293602		
2 PLC ±0.20		WEIGHT -	DRAWING NO -		
3 PLC ±-		CUSTOMER DRAWING	RESTRICTED TO -		
4 PLC ±-			SCALE 3:1	SHEET 3 OF 3	REV F1
ANGLES ±3°					
MATERIAL material_2					
FINISH finish_spec_2					