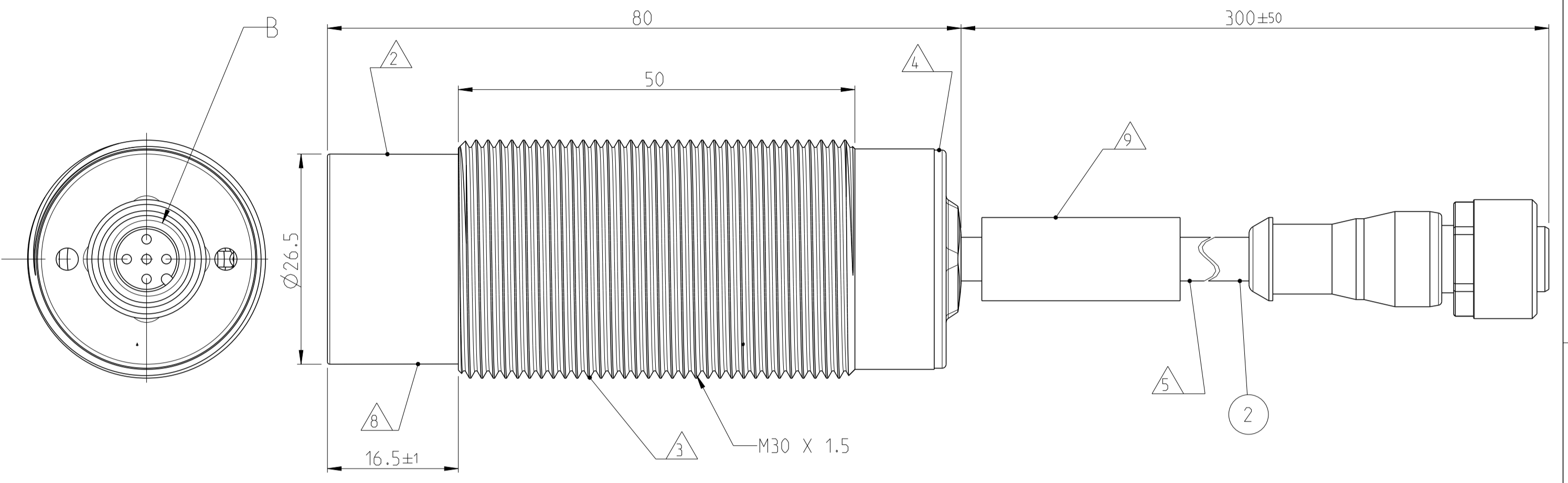
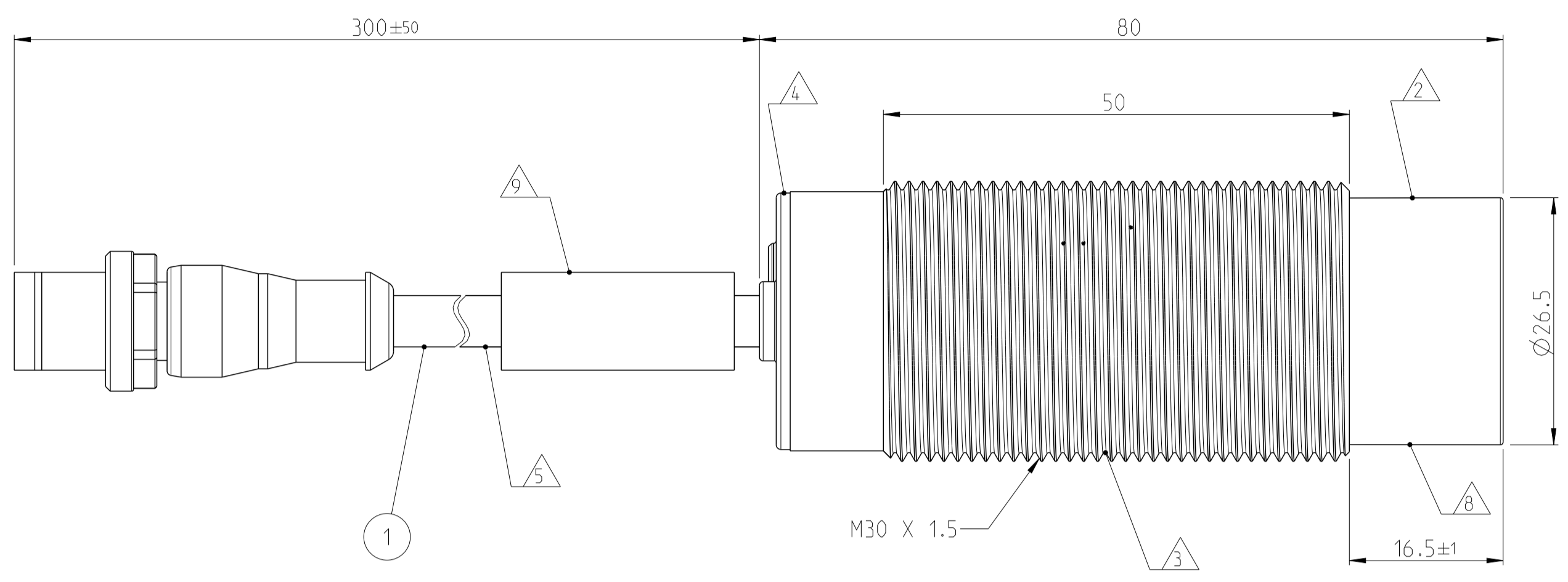


REVISIONS		DATE	DWN	APVD
NO.	DESCRIPTION			
A2	ECR-15-005545	09APR2015	RS	DO
B1	ECR-17-001818	10FEB2017	RS	DO
C1	ECR-17-018646	22DEC2017	RS	MB
C2	ECR-18-002887	02MAR2018	RS	MB

2287598-1 ARISO GPIO  
 TXM030S012PNP2A  
 2287598-7 ARISO IO-LINK  
 TXM030S012IOL2A

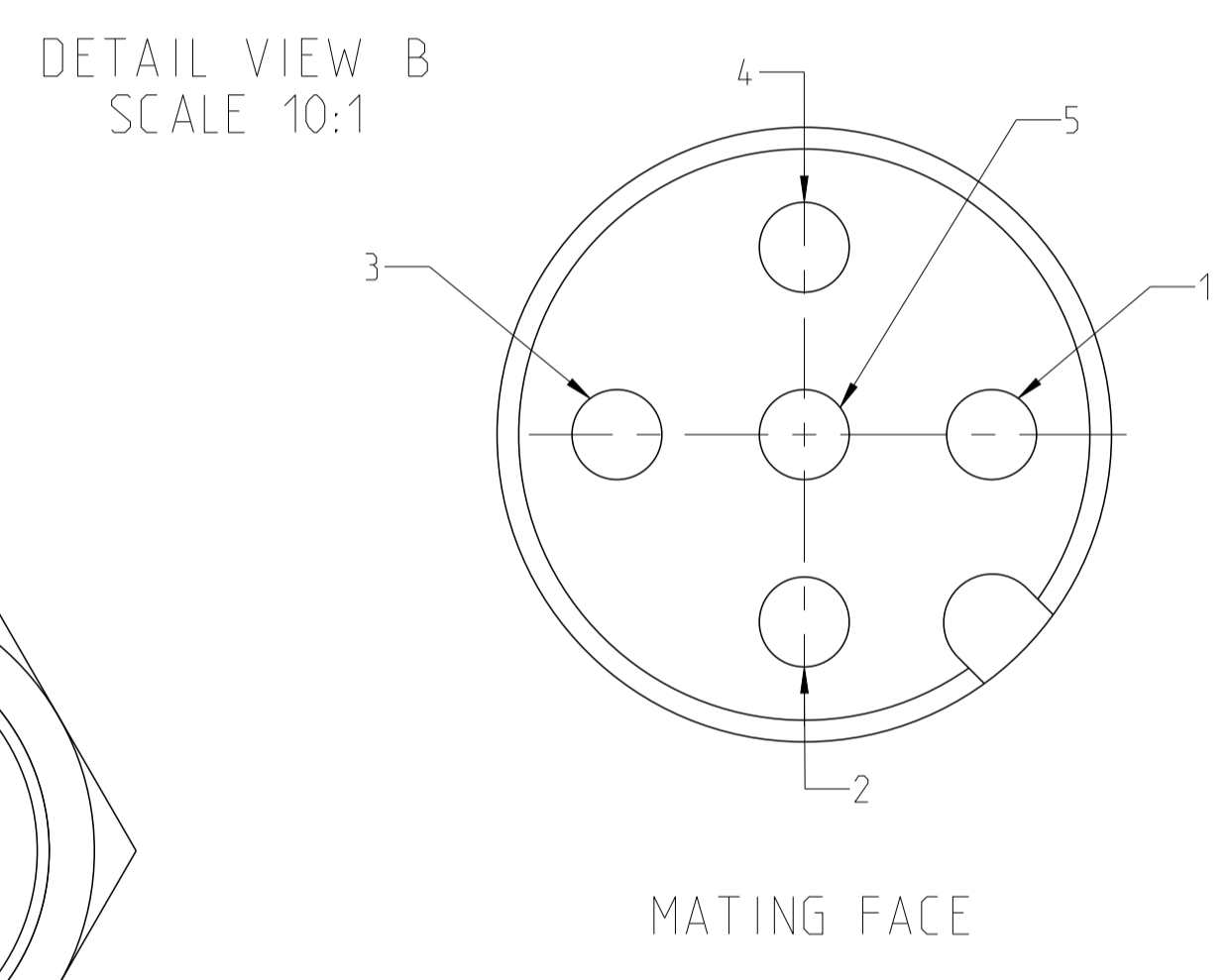
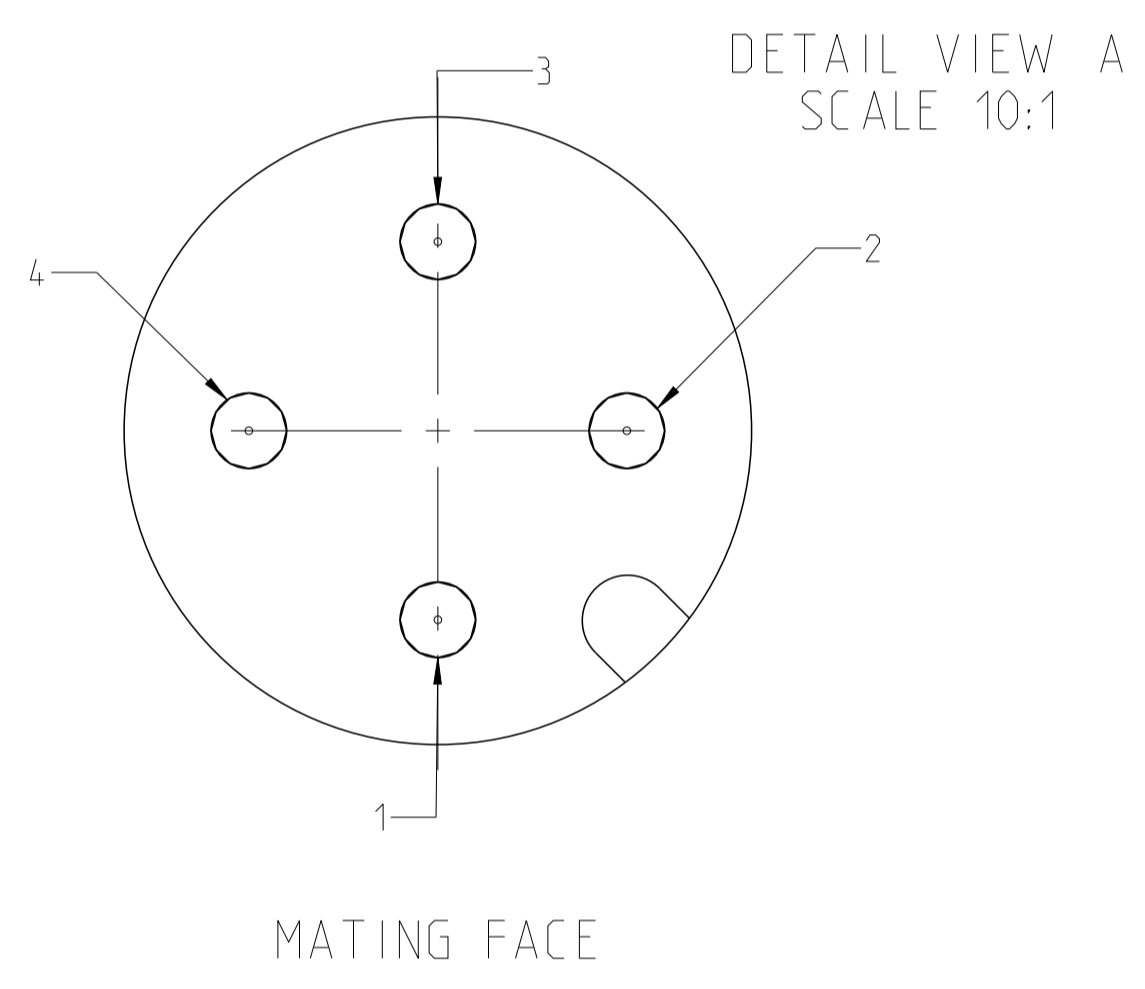
2287598-2 ARISO GPIO  
 RXM030S012PNP2A  
 2287598-8 ARISO IO-LINK  
 RXM030S012IOL2A



2287598-1 AS SHOWN

2287598-2 AS SHOWN

2287598-1		
TERMINAL NR.	NAME	DESCRIPTION
1	+ 24V DC	+ 24VDC_IN
2	PNP_OUT_1	PNP_OUTPUT CHANNEL 1
3	GND	GROUND
4	PNP_OUT_2	PNP_OUTPUT CHANNEL 2



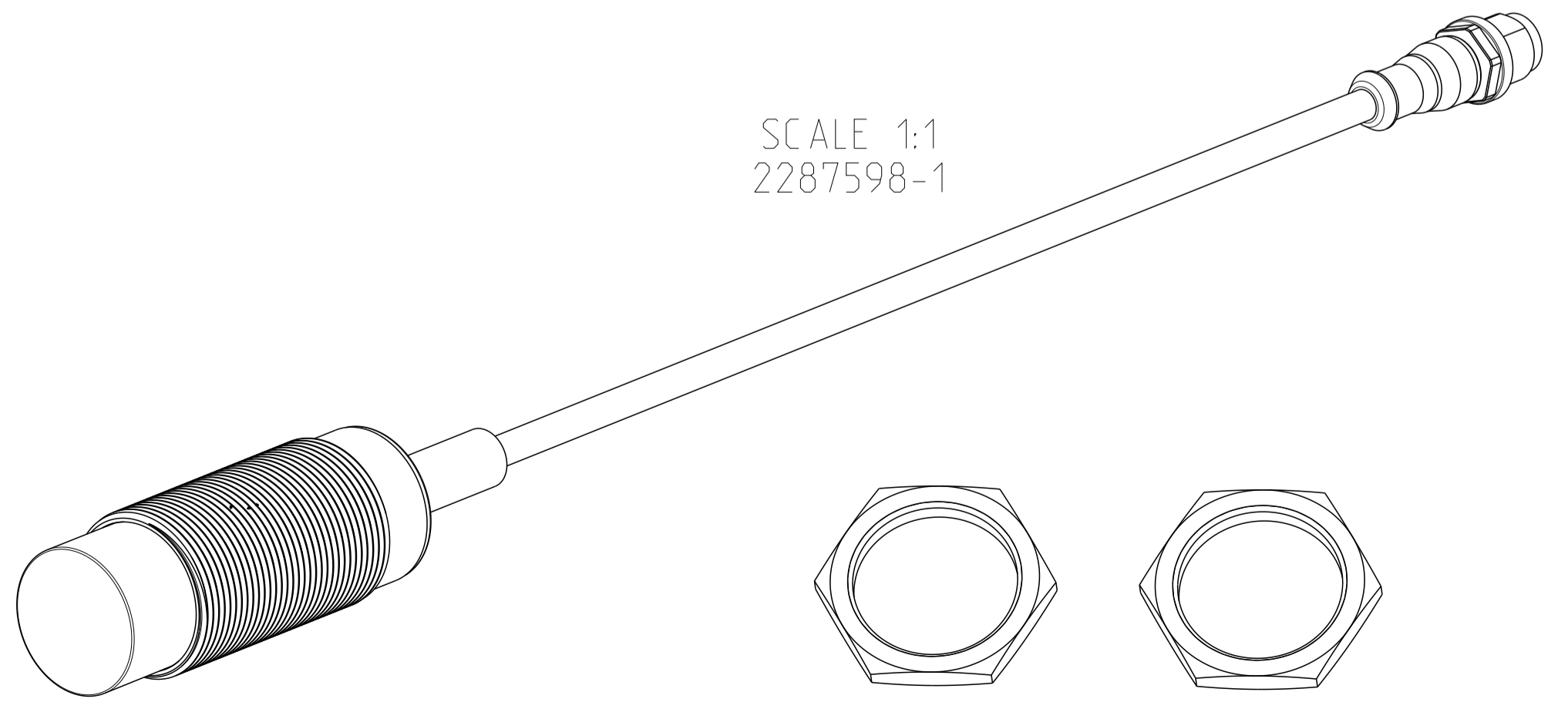
2287598-2		
TERMINAL NR.	NAME	DESCRIPTION
1	+ 24V DC	+ 24VDC_OUT
2	PNP_IN_1	PNP_INPUT CHANNEL 1
3	GND	GROUND
4	PNP_IN_2	PNP_INPUT CHANNEL 2
5	NC	NOT CONNECTED

2287598-7		
TERMINAL NR.	NAME	DESCRIPTION
1	+ 24V DC	+ 24VDC_IN
2	DO	DIGITAL OUTPUT
3	GND	GROUND
4	C/Q	COMMUNICATION (C) OR SWITCHING (Q) SIGNAL (SIO)

2287598-8		
TERMINAL NR.	NAME	DESCRIPTION
1	+ 24V DC	+ 24VDC_OUT
2	DI	DIGITAL INPUT
3	GND	GROUND
4	C/Q	COMMUNICATION (C) OR SWITCHING (Q) SIGNAL (SIO)
5	NC	NOT CONNECTED

NOTES:

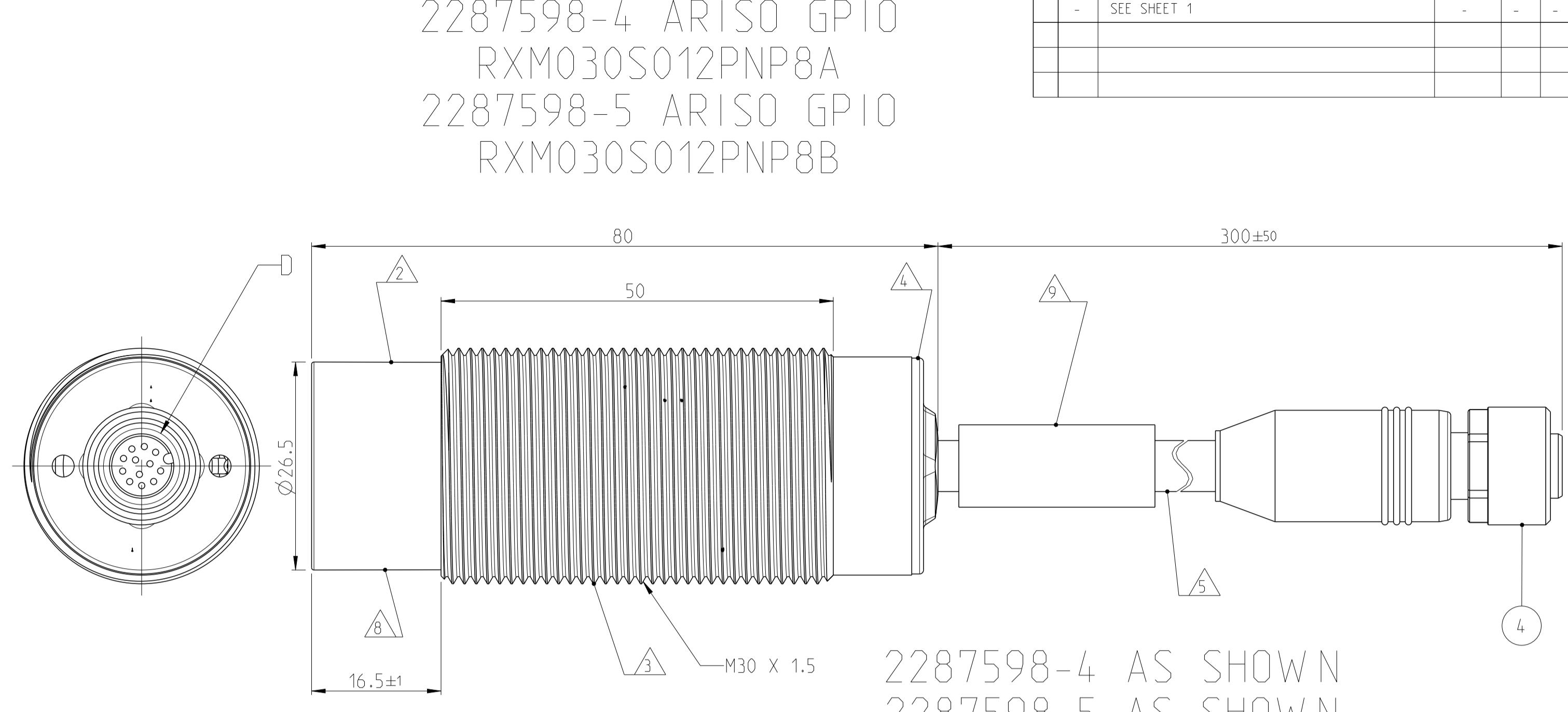
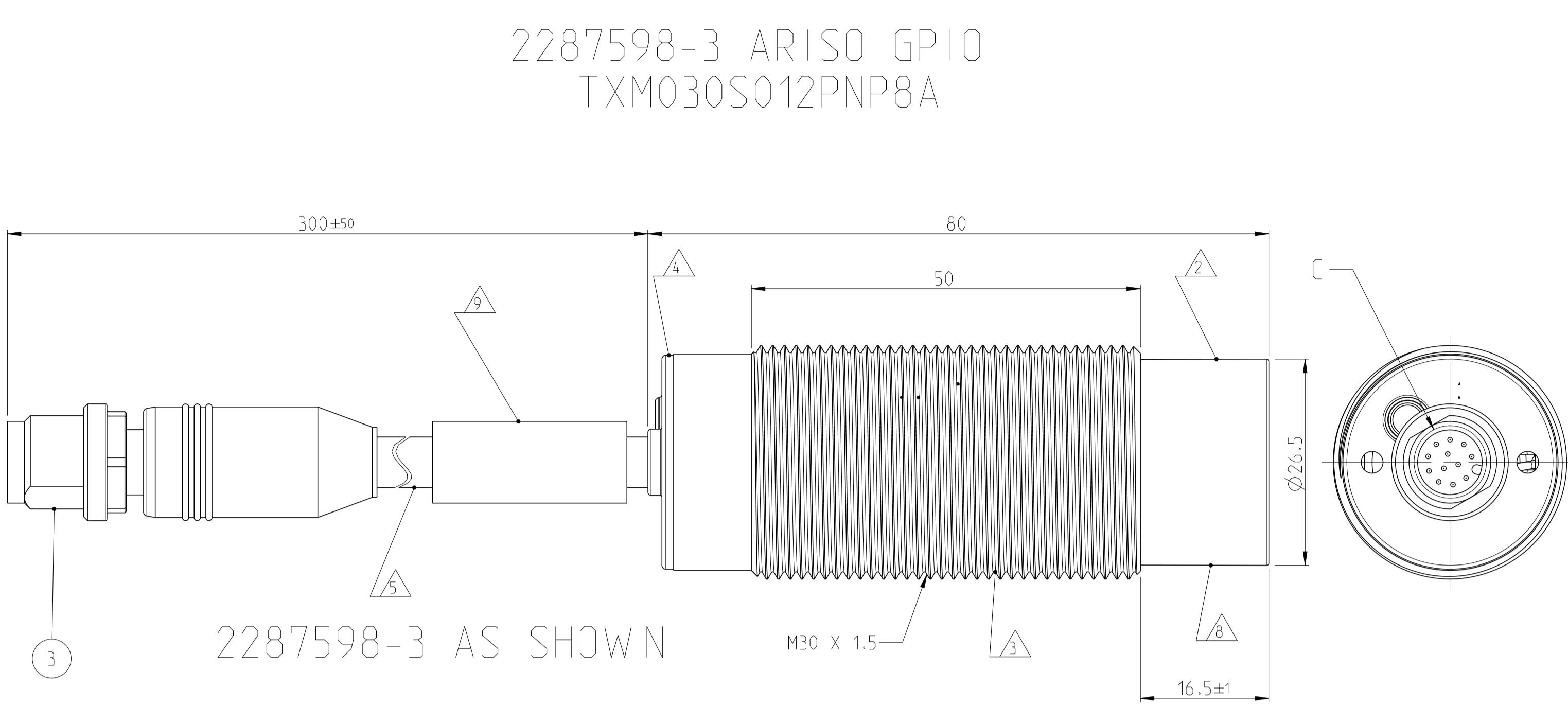
- △ PACKAGED AS 1 UNIT WITH 2PCS. M30 NUT PER CARDBOARD BOX, LABELLED WITH TE CONNECTIVITY
- △ MATERIAL: LCP.
- △ MATERIAL:BRASS, Ni PLATED.
- △ MATERIAL: TPV.
- △ CABLE JACKET: PUR.
- △ MATERIAL: BRASS, Ni PLATED.
- 7 POTTING MATERIAL: TWO COMPONENT PUR POTTING.
- △ LABELED ACCORDING TO 2287616
- △ OPTIONAL CABLE SLEEVE
- △ 116-19004 - DATASHEET ARISO GPIO  
116-19006 - DATASHEET ARISO IO-LINK
- △ 114-19159 - APPLICATION SPEC. ARISO GPIO  
114-94474 - APPLICATION SPEC. ARISO IO-LINK
- △ 109-19040 - TEST SPEC. ARISO GPIO  
109-18361 - TEST SPEC. ARISO IO-LINK
- △ 108-19484 - PRODUCT SPEC. ARISO GPIO  
108-94597 - PRODUCT SPEC. ARISO IO-LINK



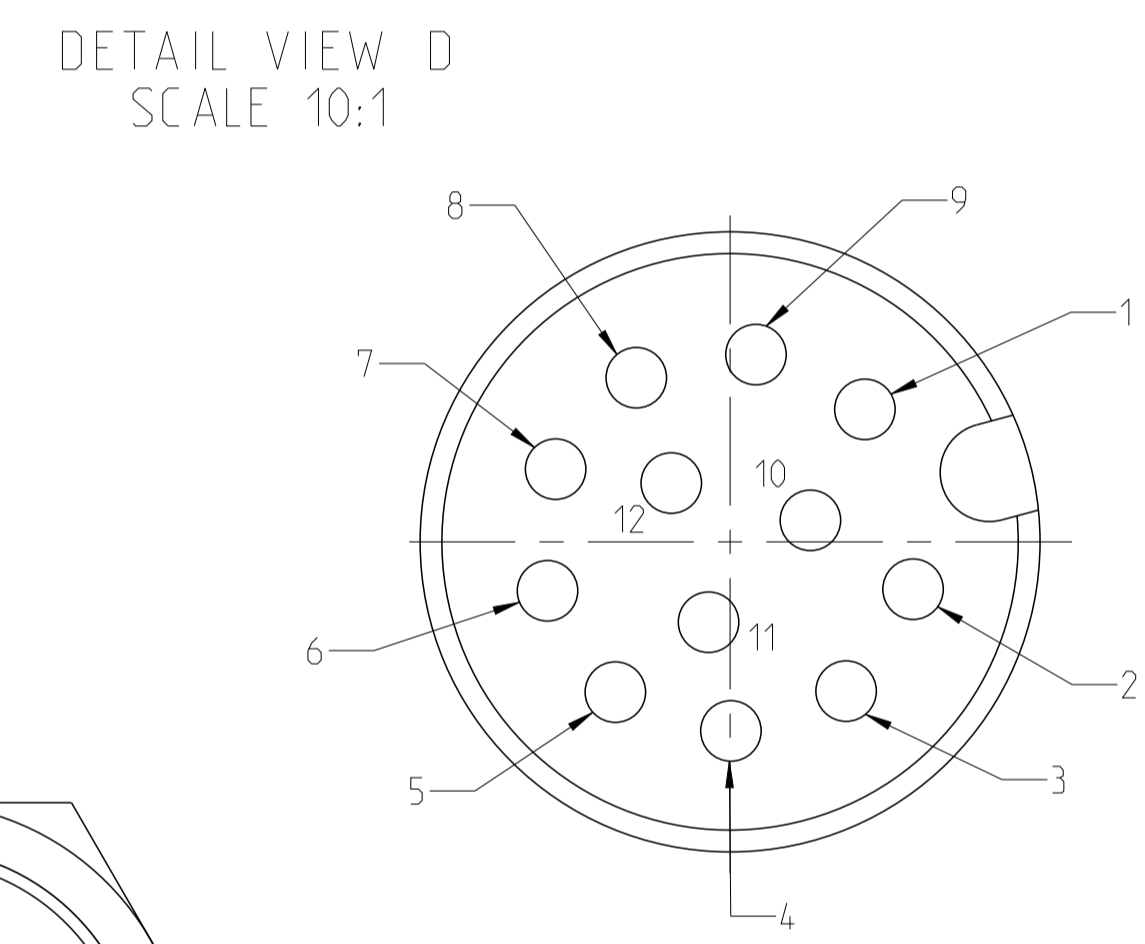
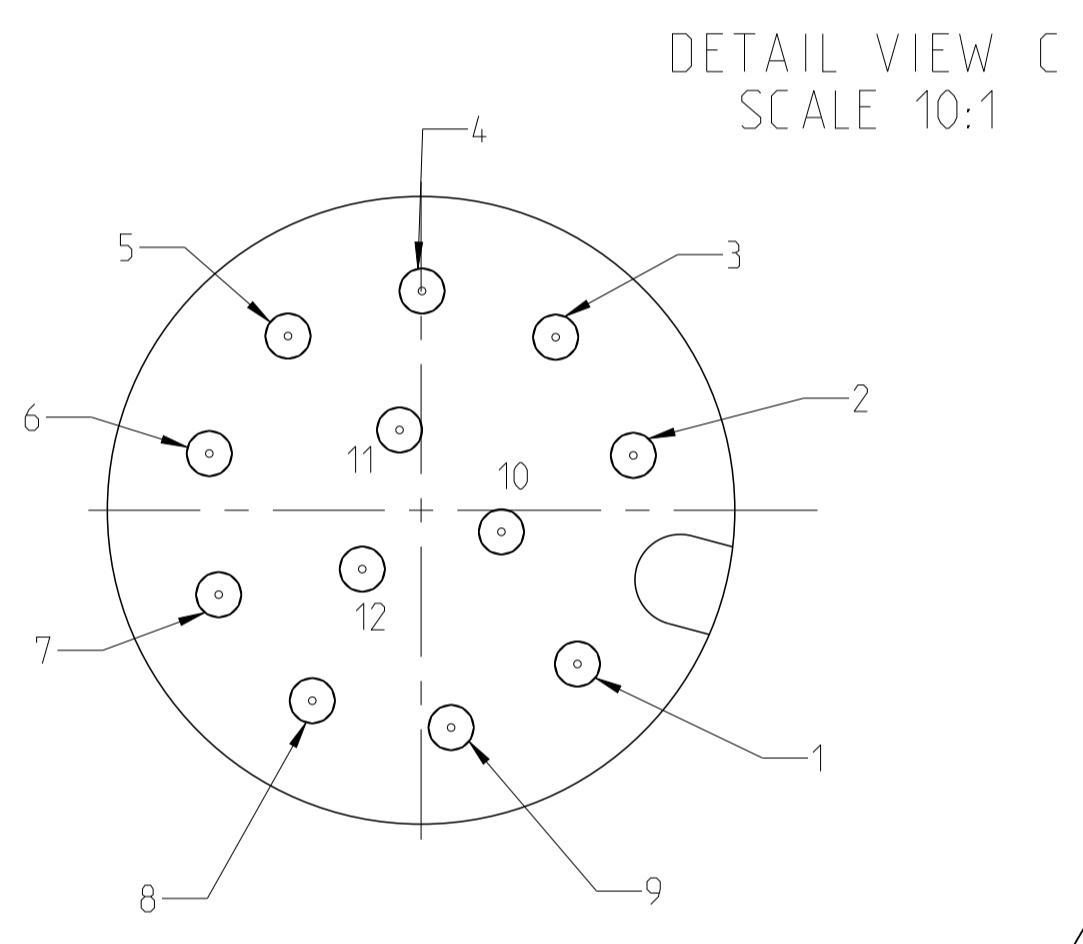
TE CONNECTIVITY ORDER-NO.			
QTY	ITEM NO.	DESCRIPTION	MATERIAL
2	2	NUT M30 X 1.5	Ni SHINY CuZn37
-	1	CABLE ASSY M12 FEMALE / 12 POS.	BLACK PUR
-	-	CABLE ASSY M12 MALE / 12 POS.	BLACK PUR
1	-	CABLE ASSY M12 FEMALE / 4 POS.	BLACK PUR
-	1	CABLE ASSY M12 MALE / 4 POS.	BLACK PUR

THIS DRAWING IS A CONTROLLED DOCUMENT. DIMENSIONING AND TOLERANCING PER GPS (ISO STANDARDS)	DWN: S.ABOULKASSEH CHK: D.ONDRE J APVD: D.ONDRE J	DATE: 07OCT2014 REV: 20OCT2014	
DIMENSIONS: MASSENHEITEN: mm TOLERANCES UNLESS OTHERWISE SPECIFIED: ALLE DIMENSIONEN	NAME: ARISO CONTACTLESS COUPLER M30 12W	SIZE: A1 WEIGHT: 14.8 g	
MATERIAL: -	APPLICATION SPEC: -	SCALE: 2:1	RESTRICTED TO NEW PUR: -
Customer Drawing			REVISIONS: 2

PROJECT NO.:		REVISIONS		
PRJ-13-00005512		ÄNDERUNGEN	DATE	APVD
P.	LTH	DESCRIPTION		
		BESCHREIBUNG		
-		SEE SHEET 1	-	-

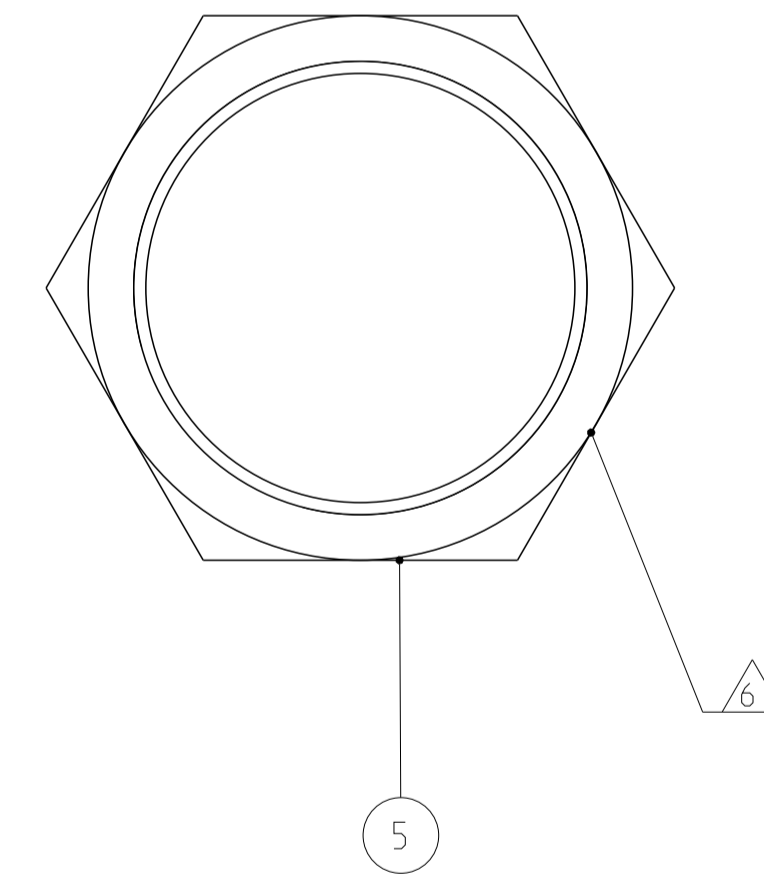
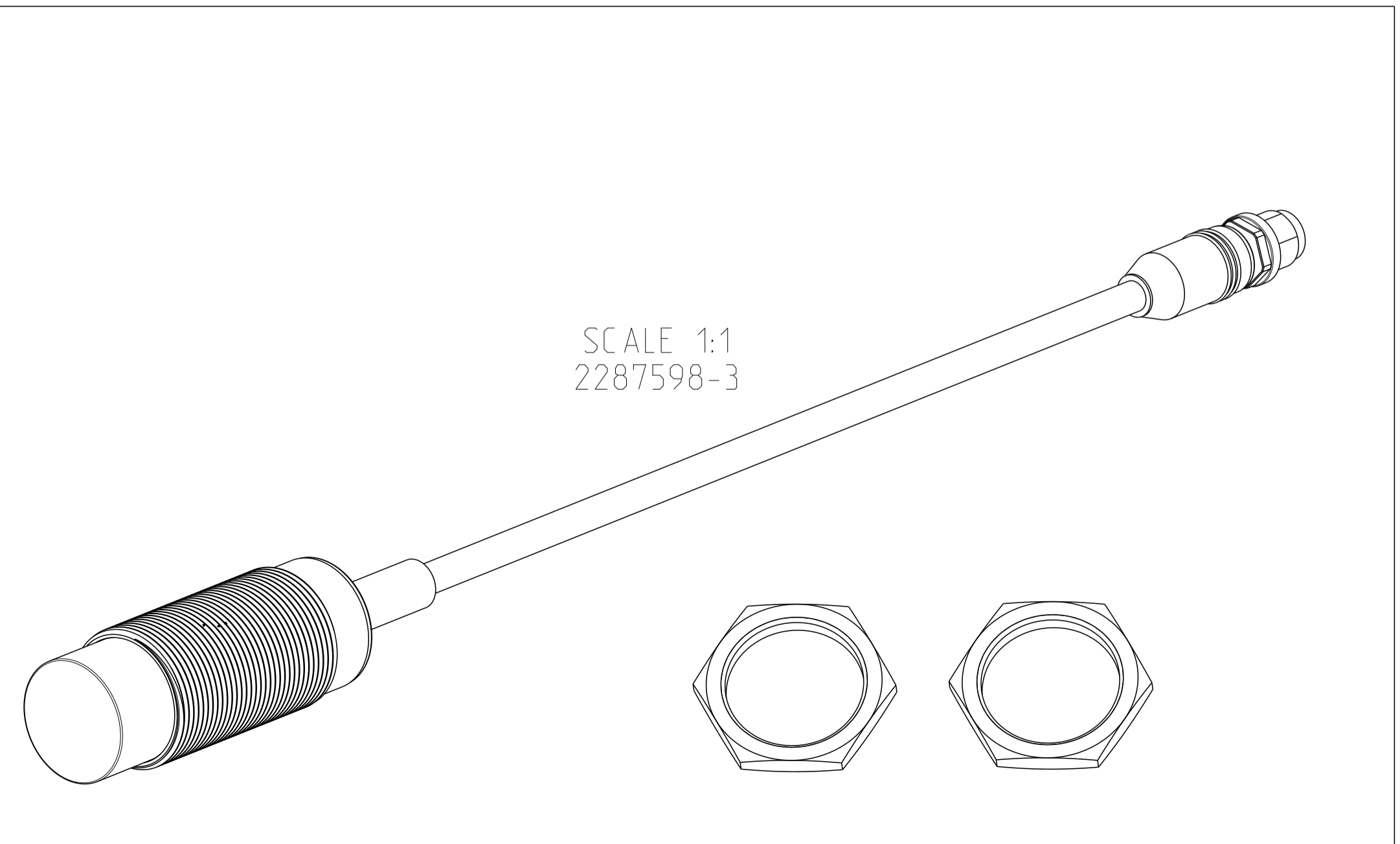


2287598-3		
TERMINAL NR.	NAME	DESCRIPTION
1	+ 24V DC	+24 DC_IN
2	GND	GROUND
3	PNP_OUT_1	PNP OUTPUT CHANNEL 1
4	PNP_OUT_2	PNP OUTPUT CHANNEL 2
5	PNP_OUT_3	PNP OUTPUT CHANNEL 3
6	PNP_OUT_4	PNP OUTPUT CHANNEL 4
7	PNP_OUT_5	PNP OUTPUT CHANNEL 5
8	PNP_OUT_6	PNP OUTPUT CHANNEL 6
9	PNP_OUT_7	PNP OUTPUT CHANNEL 7
10	PNP_OUT_8	PNP OUTPUT CHANNEL 8
11	FOD	FOREIGN OBJECT DETECTION
12	STATUS NOK	STATUS NOK



2287598-4		
TERMINAL NR.	NAME	DESCRIPTION
1	+ 24V DC	+24 DC_OUT
2	GND	GROUND
3	PNP_IN_1	PNP INPUT CHANNEL 1
4	PNP_IN_2	PNP INPUT CHANNEL 2
5	PNP_IN_3	PNP INPUT CHANNEL 3
6	PNP_IN_4	PNP INPUT CHANNEL 4
7	PNP_IN_5	PNP INPUT CHANNEL 5
8	PNP_IN_6	PNP INPUT CHANNEL 6
9	PNP_IN_7	PNP INPUT CHANNEL 7
10	PNP_IN_8	PNP INPUT CHANNEL 8
11	N.C	NOT CONNECTED
12	N.C	NOT CONNECTED

2287598-5		
TERMINAL NR.	NAME	DESCRIPTION
1	+ 24V DC	+24 DC_OUT
2	GND	GROUND
3	PNP_IN_1	PNP INPUT CHANNEL 1
4	PNP_IN_2	PNP INPUT CHANNEL 2
5	PNP_IN_3	PNP INPUT CHANNEL 3
6	PNP_IN_4	PNP INPUT CHANNEL 4
7	N.C	NOT CONNECTED
8	PNP_IN_5	PNP INPUT CHANNEL 5
9	PNP_IN_6	PNP INPUT CHANNEL 6
10	N.C	NOT CONNECTED
11	PNP_IN_7	PNP INPUT CHANNEL 7
12	PNP_IN_8	PNP INPUT CHANNEL 8



THIS DRAWING IS A CONTROLLED DOCUMENT.  
 DIMENSIONING AND TOLERANCING PER GPS (ISO STANDARDS)

DIMENSIONS: MASSENHEITEN: MM	TOLERANCES UNLESS OTHERWISE SPECIFIED: ALLGEMEINTOLERANZEN	OWN: S.ABOULKASSEH CHK: D.ONDRE J APVD: D.ONDRE J	DATE: 17/01/2014 20/01/2014
0 PLC ±0.2 1 PLC ±0.2 2 PLC ± 3 PLC ± 4 PLC ±	FINISHOBERFLÄCHE/FARBEN	NAME: ARISO CONTACTLESS COUPLER M30 12W	SIZE: A1 CAGE CODE: 00779 DRAWING NO: 2287598
MATERIAL: -	WEIGHT: 14.8 g	RESTRICTED TO: NUR FÜR: -	Customer Drawing

TE Connectivity

SCALE: 5:1  
SHEET: 2 OF 2  
REV: C 2