

THIS DRAWING IS UNPUBLISHED. RELEASED FOR PUBLICATION MAY, 2010.
 © COPYRIGHT 2010 By - ALL RIGHTS RESERVED.

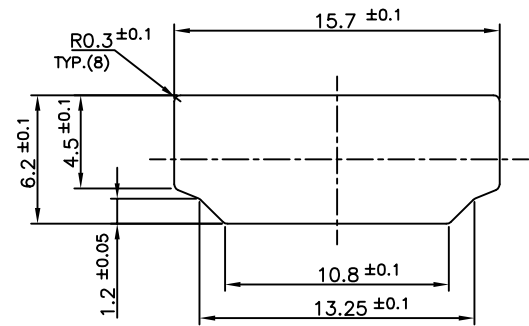
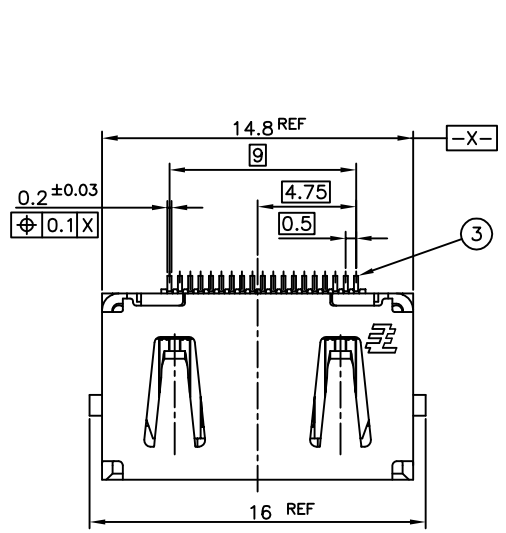
LOC	DIST	REVISIONS 変更					
ES		P	LTR	DESCRIPTION	DATE	DWN	APVD
		B2		REVISED ECR-11-023607	21NOV2011	J.H	S.Y

- 1 CONTACT COPLANALITY IS 0.1 MAX.
- △ THIS DIMENSION MEANS CENTER OF THE POCKET.
- △ M3 TAPPING + BVTP RECOMMENDED TORQUE: 68.6N (7Kgf) MAX.
- △ FINISH
- CONTACT: V μm MIN. Au PL. ON CONTACT AREA (V: SEE TABLE)
- 0.03~0.1 μm Au PL. ON TERMINAL AREA
- Ni UNDER PL. ALL OVER
- SHELL: Sn PL. (MATTE) ALL OVER
- Ni UNDER PL. ALL OVER
- △ SCREW SIZE
- △ QTY PRINT ON THE LABEL. (EMBOSS PACKING)

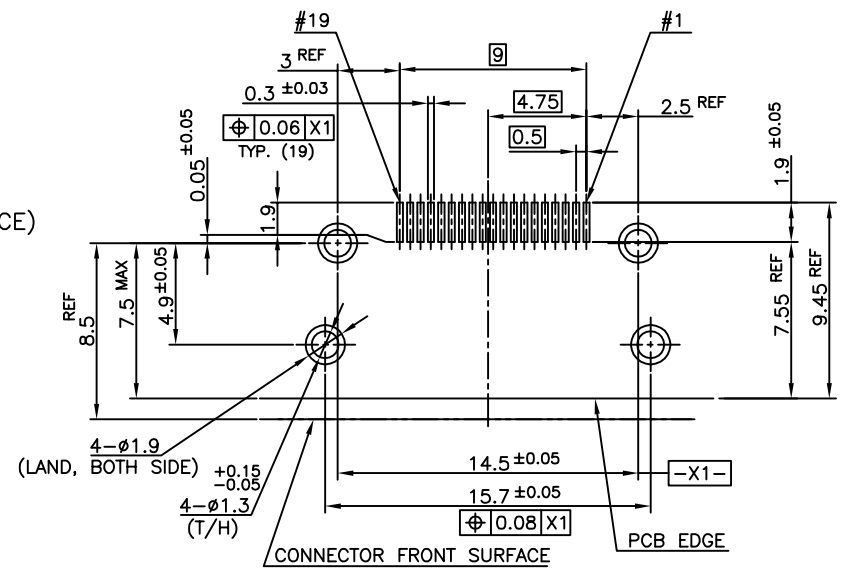
(B2)	0.1	-	△ 550	0.9	-	-	-	-	33.5	37.5	9.32	0.4	32	28.4	14.2	16	WITHOUT TAPE	WITHOUT FLANGE	THROUGH HOLE	(SEE SHEET 2)	EMBOSS (SEE SHEET 5)	1932649-6	
	0.3	M3 x 0.5	70	1.9	46	138	6-23	46	-	-	-	-	-	-	-	-	WITHOUT TAPE	WITH FLANGE	THROUGH HOLE	(SEE SHEET 4)	SOFT TRAY (SEE SHEET 6)	2-1932649-5	
	0.3	M3 x 0.5	70	1.9	46	138	6-23	46	-	-	-	-	-	-	-	-	WITHOUT TAPE	WITH FLANGE	THROUGH HOLE	(SEE SHEET 3)	SOFT TRAY (SEE SHEET 6)	1-1932649-5	
	0.3	M3 x 0.5	70	1.9	46	138	6-23	46	-	-	-	-	-	-	-	-	WITHOUT TAPE	WITH FLANGE	THROUGH HOLE	(SEE SHEET 3)	SOFT TRAY (SEE SHEET 6)	1-1932649-2	
	0.1	M3 x 0.5	70	1.9	46	138	6-23	46	-	-	-	-	-	-	-	-	WITHOUT TAPE	WITH FLANGE	THROUGH HOLE	(SEE SHEET 3)	SOFT TRAY (SEE SHEET 6)	1932649-5	
	0.1	M3 x 0.5	70	1.9	46	138	6-23	46	-	-	-	-	-	-	-	-	WITHOUT TAPE	WITH FLANGE	THROUGH HOLE	(SEE SHEET 3)	SOFT TRAY (SEE SHEET 6)	1932649-4	
	0.1	M3 x 0.5	△ 200	1.9	-	-	-	-	45.5	49.5	18.3	0.5	44	40.4	20.2	20	WITHOUT TAPE	WITH FLANGE	THROUGH HOLE	(SEE SHEET 3)	EMBOSS (SEE SHEET 5)	1932649-3	
	0.1	△ 2.65±0.3	70	1.9	46	138	6-23	46	-	-	-	-	-	-	-	-	WITHOUT TAPE	WITH FLANGE	THROUGH HOLE	(SEE SHEET 3)	SOFT TRAY (SEE SHEET 6)	1932649-2	
	0.1	-	△ 550	1.9	-	-	-	-	33.5	37.5	9.32	0.4	32	28.4	14.2	16	WITHOUT TAPE	WITHOUT FLANGE	THROUGH HOLE	(SEE SHEET 2)	EMBOSS (SEE SHEET 5)	1932649-1	
	V	U	T	AA	S	R	P	N	M	L	K	J	H	G	F	E	POLYIMIDE TAPE	FLANGE	SHELL TYPE	CONNECTOR	PACKING	PART NUMBER	
	△ Au PL.	△ SCREW SIZE	QTY	DIMENSION												PART LIST							

THIS DRAWING IS A CONTROLLED DOCUMENT.		DWN C.FISHER 20MAY2010	STE TE Connectivity	
DIMENSIONS: 單位: 稱 mm		CHK L.MARTIN 20MAY2010		
TOLERANCES UNLESS OTHERWISE SPECIFIED: 一般公差		APVD Y.STEVEN 20MAY2010	NAME 名稱 HDMI 19 POS RECEPTACLE ASSY SMT SHORT TYPE	
0 PLC ± 1 PLC ± 2 PLC ± 3 PLC ± 4 PLC ± ANGLES ±		PRODUCT SPEC 製品規格 108-78180-8	SIZE A3	
MATERIAL 材料		APPLICATION SPEC 取付適用規格	CAGE CODE 00779	DRAWING NO 番号 C=1932649
FINISH 仕上		WEIGHT	SCALE 尺度 4:1	RESTRICTED TO REV B2
CUSTOMER DRAWING			SHEET 1 OF 7	REV B2

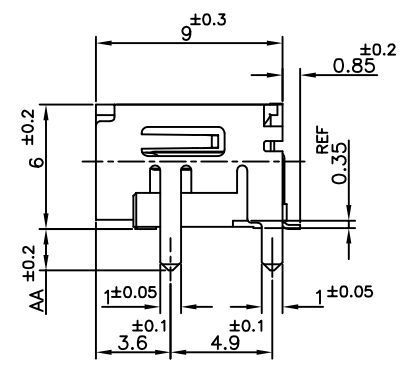
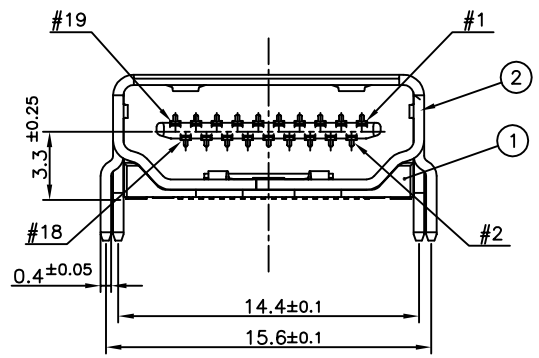
LOC	DIST	REVISIONS					
ES		P	LTR	DESCRIPTION	DATE	DWN	APVD
		-		SEE SHEET 1	-	-	-



PANEL CUT OUT DIMENSION (REFERENCE)

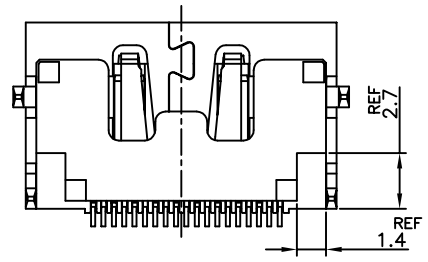


P.C.B LAYOUT (REFERENCE)
SHOWN AS CONNECTOR MOUNTING SIDE
TOLERANCE: NON-CUMULATIVE



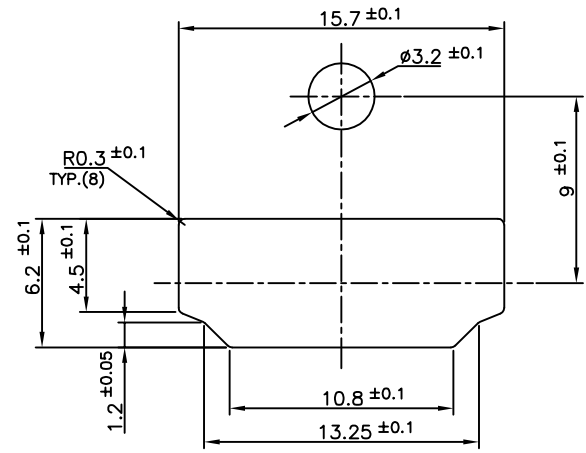
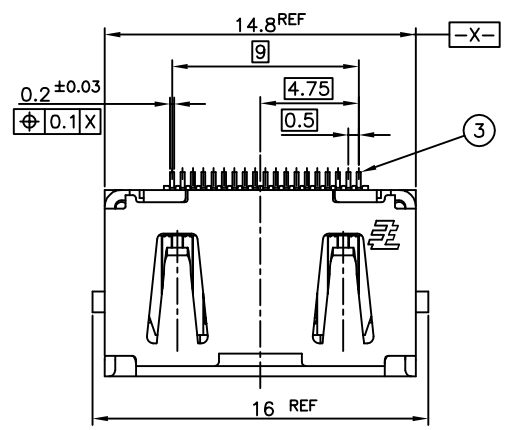
BRASS	CONTACT	(3)
STAINLESS STEEL	SHELL	(2)
GLASS FILLED LCP UL94V-0, BLACK COLOR	HOUSING	(1)
MATERIAL	DESCRIPTION	ITEM

CONNECTOR: WITHOUT FLANGE THROUGH HOLE TYPE

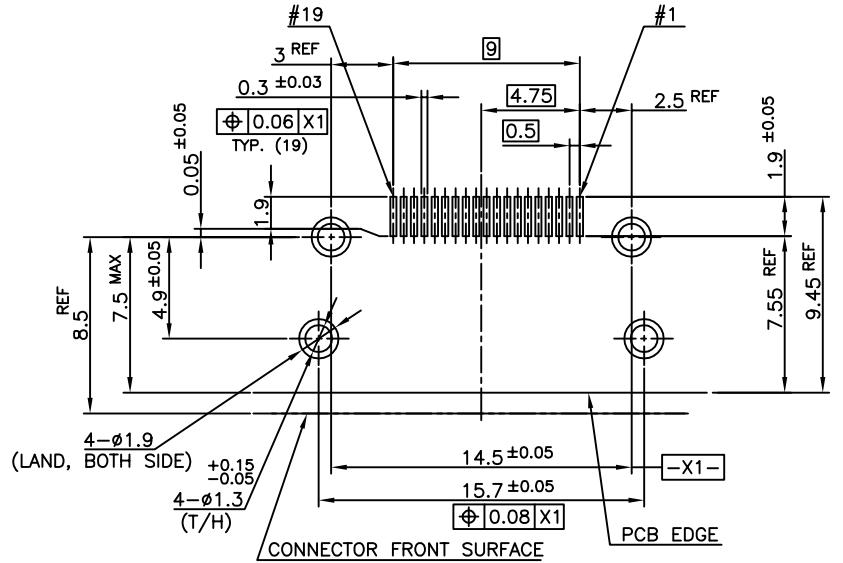


THIS DRAWING IS A CONTROLLED DOCUMENT.		DWN		
DIMENSIONS: 單位: 毫米 mm		CHK		
TOLERANCES UNLESS OTHERWISE SPECIFIED: 一般公差		APVD	NAME 名稱	
0 PLC ±		PRODUCT SPEC 製品規格	HDMI 19 POS RECEPTACLE ASSY	
1 PLC ±		APPLICATION SPEC 取付適用規格	SMT SHORT TYPE	
2 PLC ±		WEIGHT	SIZE A3	CAGE CODE 00779
3 PLC ±		CUSTOMER DRAWING	DRAWING NO. C=1932649	RESTRICTED TO
4 PLC ±			SCALE 尺度 4:1	SHEET 2 of 7
ANGLES ±				REV B2
MATERIAL 材料	FINISH 仕上			

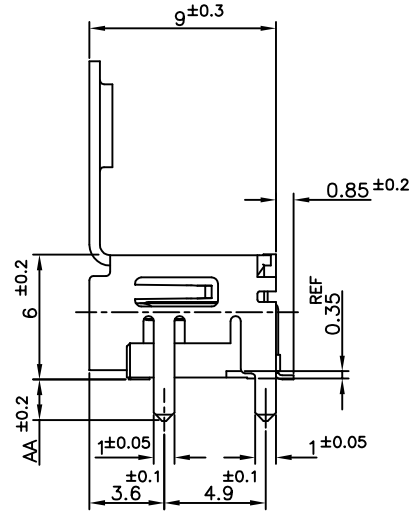
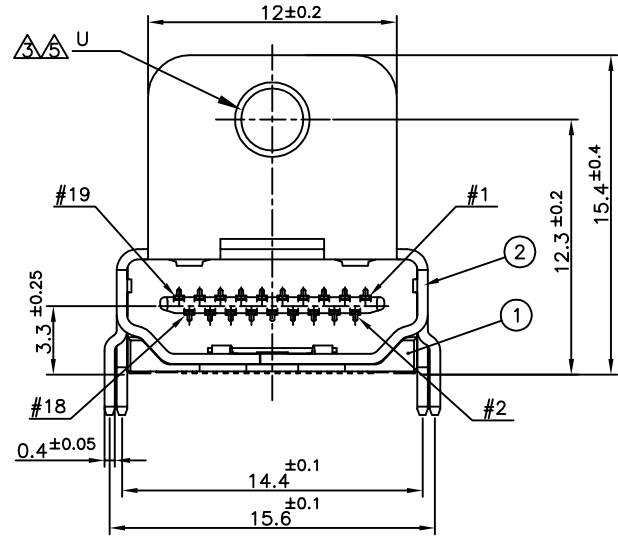
LOC	DIST	REVISIONS		
ES		P	LTR	DATE
				DWN
				APVD
		DESCRIPTION		
		SEE SHEET 1		



PANEL CUT OUT DIMENSION (REFERENCE)



P.C.B LAYOUT (REFERENCE)
SHOWN AS CONNECTOR MOUNTING SIDE
TOLERANCE: NON-CUMULATIVE



CONNECTOR: WITH FLANGE THROUGH HOLE TYPE

BRASS	CONTACT	③
STAINLESS STEEL	SHELL	②
GLASS FILLED LCP UL94V-0, BLACK COLOR	HOUSING	①
MATERIAL	DESCRIPTION	ITEM

THIS DRAWING IS A CONTROLLED DOCUMENT.

DIMENSIONS: 單位: 毫米 mm	TOLERANCES UNLESS OTHERWISE SPECIFIED: 一般公差	DWN	CHK	APVD	NAME 名稱
0 PLC ±	1 PLC ±	PRODUCT SPEC 製品規格	HDMI 19 POS RECEPTACLE ASSY SMT SHORT TYPE		
2 PLC ±	3 PLC ±	APPLICATION SPEC 取付適用規格	SIZE	CAGE CODE	DRAWING NO 番号
4 PLC ±	ANGLES ±	WEIGHT	A3	00779	G=1932649
MATERIAL 材料	FINISH 仕上	CUSTOMER DRAWING	SCALE 尺度	SHEET 張数	REV 版次
			4:1	3 of 7	B2

RESTRICTED TO



4

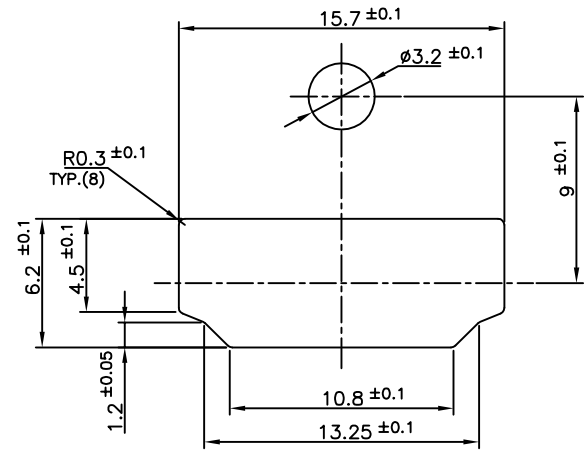
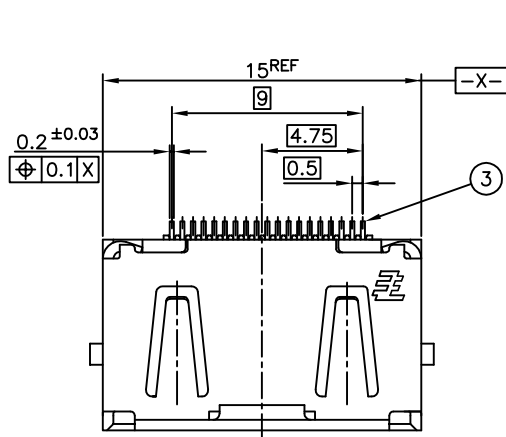
3

2

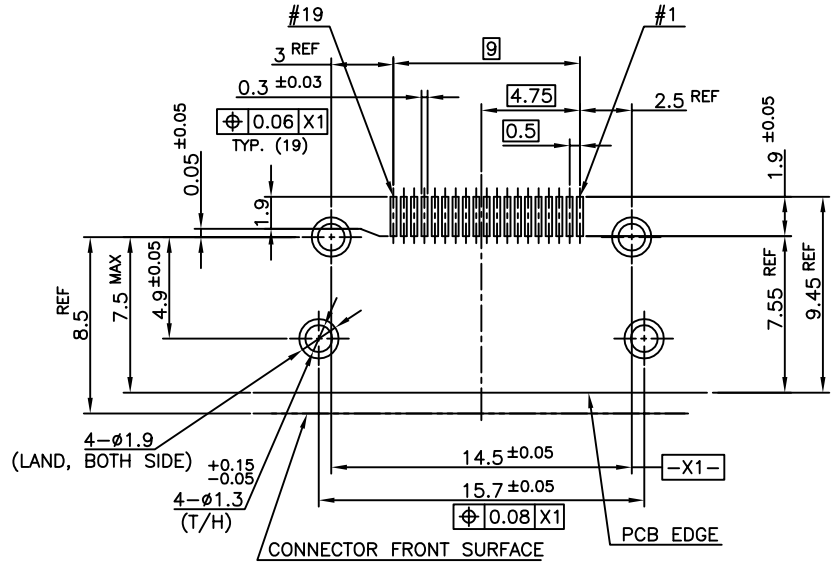
1

THIS DRAWING IS UNPUBLISHED. RELEASED FOR PUBLICATION SEP., 2005. ALL RIGHTS RESERVED.

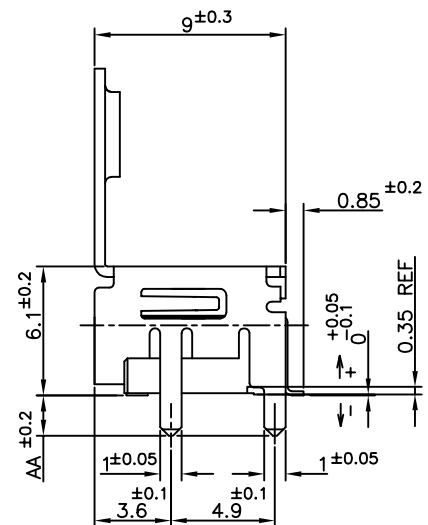
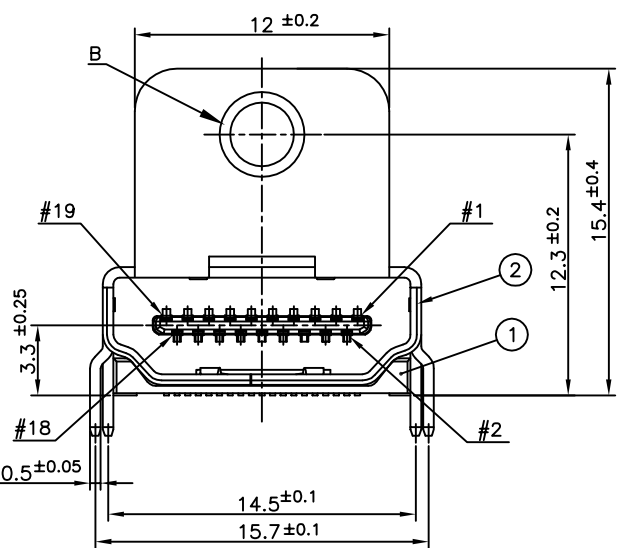
LOC		REVISIONS			DATE	DWN	APVD
ES	DIST	変更					
		DESCRIPTION					
P	LTR	SEE SHEET 1			-	-	-



PANEL CUT OUT DIMENSION (REFERENCE)

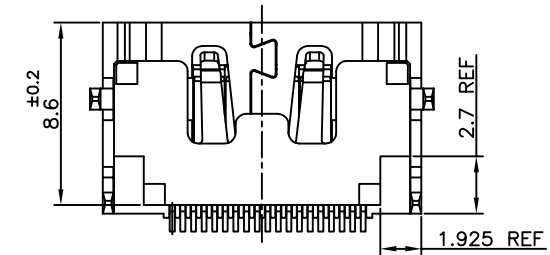


P.C.B LAYOUT (REFERENCE) SHOWN AS CONNECTOR MOUNTING SIDE TOLERANCE: NON-CUMULATIVE



CONNECTOR: WITH FLANGE THROUGH HOLE TYPE

BRASS	CONTACT	③
BRASS	SHELL	②
GLASS FILLED LCP UL94V-0, BLACK COLOR	HOUSING	①
MATERIAL	DESCRIPTION	ITEM

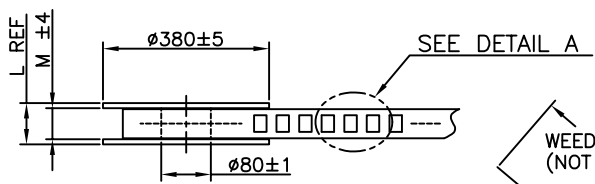
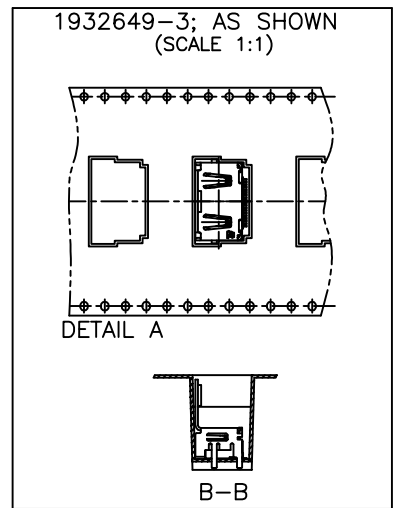
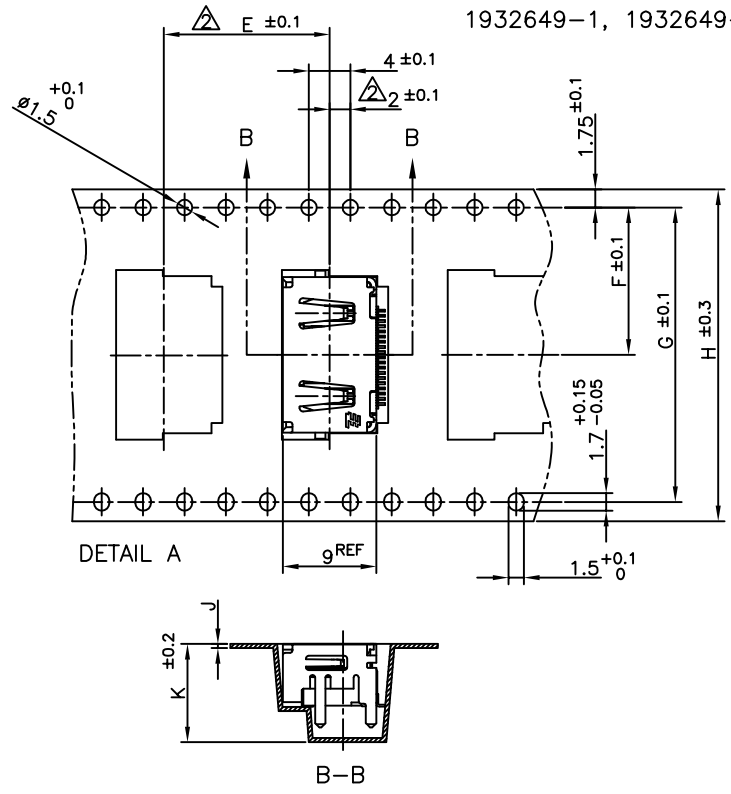


THIS DRAWING IS A CONTROLLED DOCUMENT.

DIMENSIONS: 單位: 稱 mm	TOLERANCES UNLESS OTHERWISE SPECIFIED: 一般公差	DWN	CHK	APVD	NAME 名稱	TE Connectivity	
0 PLC ±	1 PLC ±	PRODUCT SPEC 製品規格	APPLICATION SPEC 取付適用規格	WEIGHT	HDMI 19 POS RECEPTACLE ASSY SMT SHORT TYPE		
2 PLC ±	3 PLC ±	FINISH 仕上	CUSTOMER DRAWING	SCALE 尺度 4:1	SIZE A3	CAGE CODE 00779	DRAWING NO. 番号 C=1932649
4 PLC ±	ANGLES ±			SHEET 4 OF 7	RESTRICTED TO		REV B2

LOC ES	DIST -	REVISIONS 変更			DATE	DWN	APVD
P	LTR	DESCRIPTION					
-	-	SEE SHEET 1		-	-	-	-

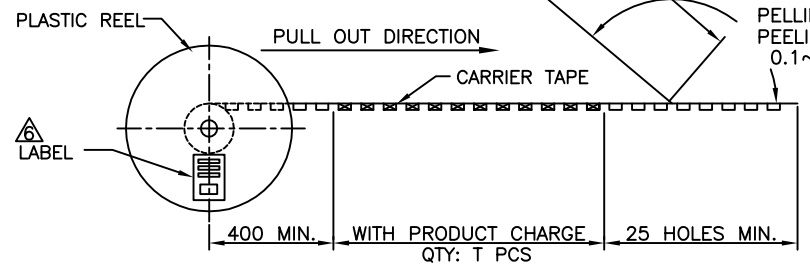
1932649-1, 1932649-6; AS SHOWN



WEEDING THE COVER TAPE: 300 MIN (NOT INCLUDE EMPTINESS POCKET)
 PELLING ANGLE: 165°~180°
 PEELING STRENGTH: 0.1~0.7N (300mm/min.)

△ LABEL DESCRIPTION
 TYCO P/N: *-1932649-*
 QTY: * pcs
 D/C:
 MADE IN CHINA

PET	COVER TAPE
PS	CARRIER TAPE
PLASTIC	REEL
MATERIAL	DESCRIPTION



THIS DRAWING IS A CONTROLLED DOCUMENT.		DWN	TE Connectivity			
DIMENSIONS: 單位: 毫米 mm		CHK				
TOLERANCES UNLESS OTHERWISE SPECIFIED: 一般公差		APVD	NAME 名稱 HDMI 19 POS RECEPTACLE ASSY SMT SHORT TYPE			
0 PLC ±		PRODUCT SPEC 製品規格	SIZE	CAGE CODE	DRAWING NO 番号	RESTRICTED TO 番号
1 PLC ±		APPLICATION SPEC 取付適用規格	A3	00779	G=1932649	
2 PLC ±		WEIGHT	CUSTOMER DRAWING			SCALE 尺度 4:1
3 PLC ±		SHEET 5 of 7		REV B2		
4 PLC ±						
ANGLES ±						
FINISH 仕上						
MATERIAL 材料						

THIS DRAWING IS UNPUBLISHED.

RELEASED FOR PUBLICATION

SEP, 2005.

© COPYRIGHT 2005 By -

ALL RIGHTS RESERVED.

LOC
ES

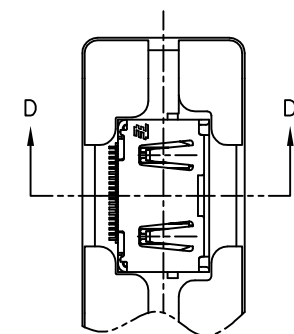
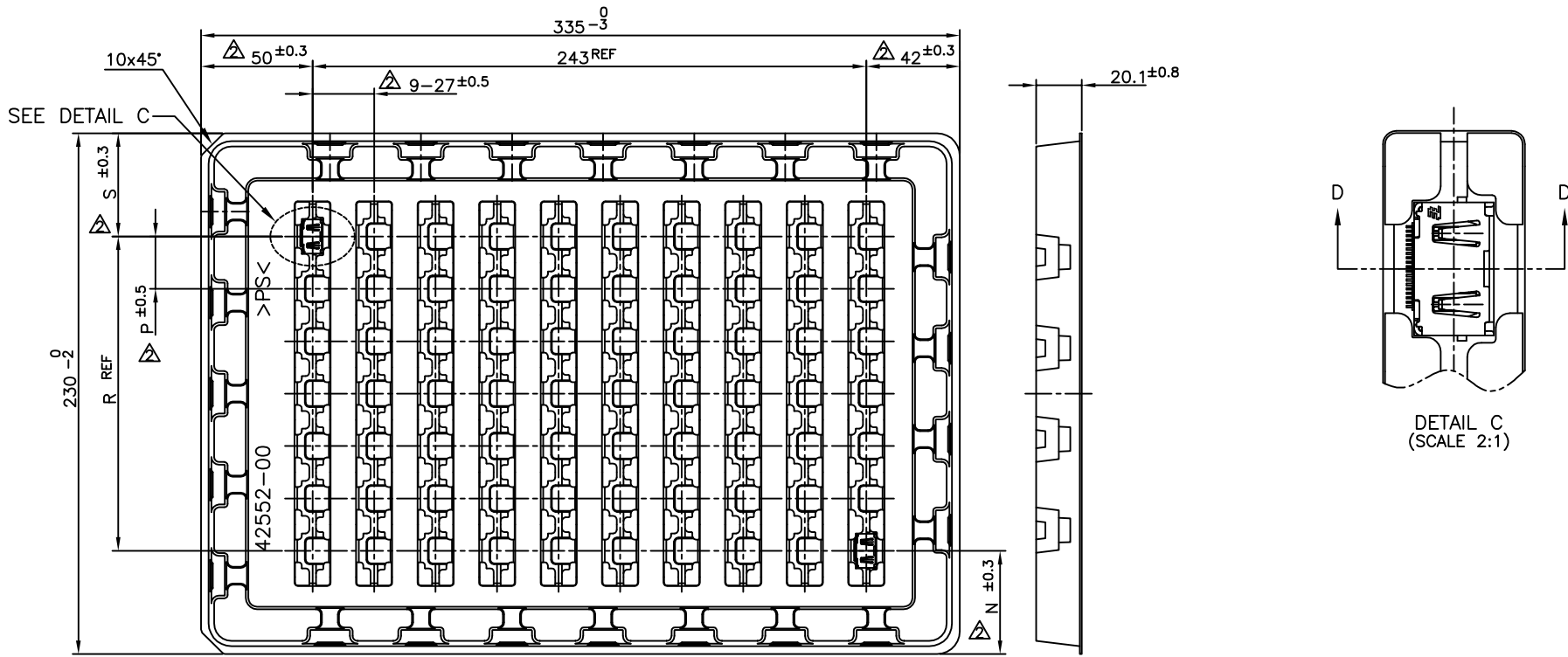
DIST
-

REVISIONS

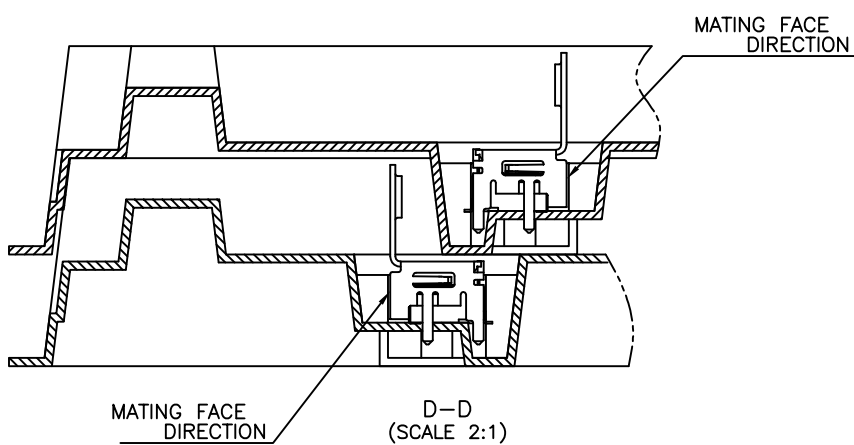
変更

P	LTR	DESCRIPTION	DATE	DWN	APVD
-	-	SEE SHEET 1	-	-	-

1932649-2, 1932649-4, 1932649-5, 1-1932649-2, 1-1932649-5, 2-1932649-5; AS SHOWN



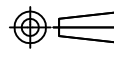
DETAIL C (SCALE 2:1)



D-D (SCALE 2:1)

THIS DRAWING IS A CONTROLLED DOCUMENT.

DIMENSIONS:
單位: 毫米
mm



MATERIAL
材料

TOLERANCES UNLESS OTHERWISE SPECIFIED:
一般公差

- 0 PLC ±
- 1 PLC ±
- 2 PLC ±
- 3 PLC ±
- 4 PLC ±
- ANGLES ±
- FINISH 仕上

CHK
APVD
PRODUCT SPEC 製品規格
APPLICATION SPEC 取付適用規格
WEIGHT
CUSTOMER DRAWING

PS MATERIAL	TRAY DESCRIPTION
TE TE Connectivity	
NAME 名称 HDMI 19 POS RECEPTACLE ASSY SMT SHORT TYPE	
SIZE A3	CAGE CODE 00779
DRAWING NO 番号 G=1932649	RESTRICTED TO
SCALE 尺度 4:1	SHEET 6 of 7
REV B2	

4

3

2

1

THIS DRAWING IS UNPUBLISHED.

RELEASED FOR PUBLICATION

MAY ,2010.

© COPYRIGHT 2010 By -

ALL RIGHTS RESERVED.

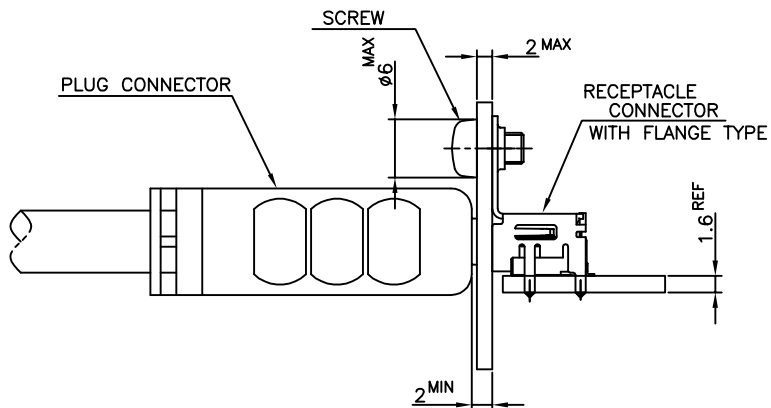
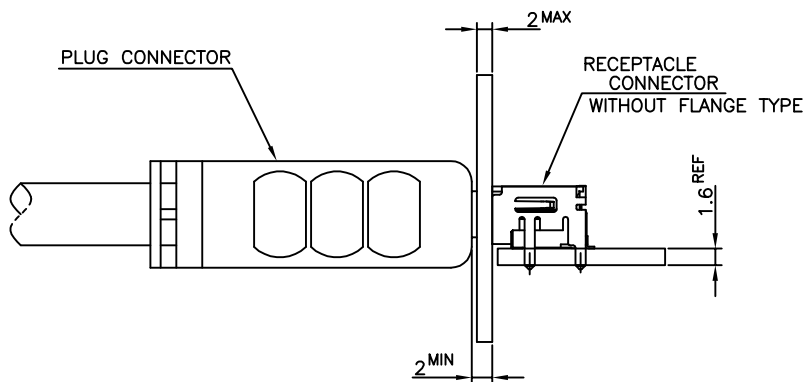
LOC
ES

DIST
/

REVISIONS

変更

P	LTR	DESCRIPTION	DATE	DWN	APVD
-	-	SEE SHEET 1	-	-	-



MATING CONDITION (REFERENCE)
(SCALE 2:1)

THIS DRAWING IS A CONTROLLED DOCUMENT.		DWN		TE TE Connectivity	
DIMENSIONS: 單位: 毫米 mm		CHK			
		APVD		NAME 名稱	
		PRODUCT SPEC 製品規格		HDMI 19 POS RECEPTACLE ASSY SMT SHORT TYPE	
		APPLICATION SPEC 取付適用規格		DRAWING NO 番号	
		MATERIAL 材料		WEIGHT	
FINISH 仕上		CUSTOMER DRAWING		SCALE 尺度 4:1	
TOLERANCES UNLESS OTHERWISE SPECIFIED: 一般公差		DRAWING NO C=1932649		SHEET 7 of 7	
0 PLC ±		A3 00779		REV B2	
1 PLC ±					
2 PLC ±					
3 PLC ±					
4 PLC ±					
ANGLES ±					