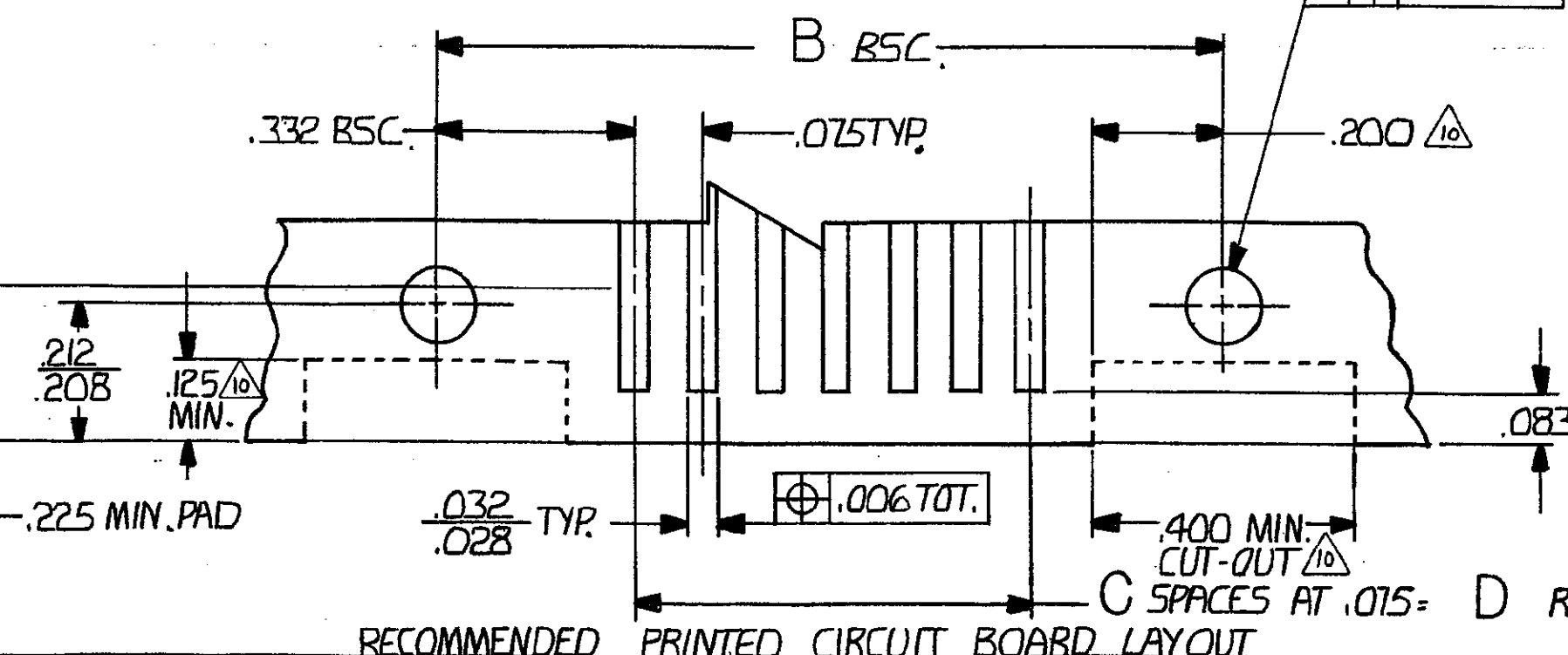
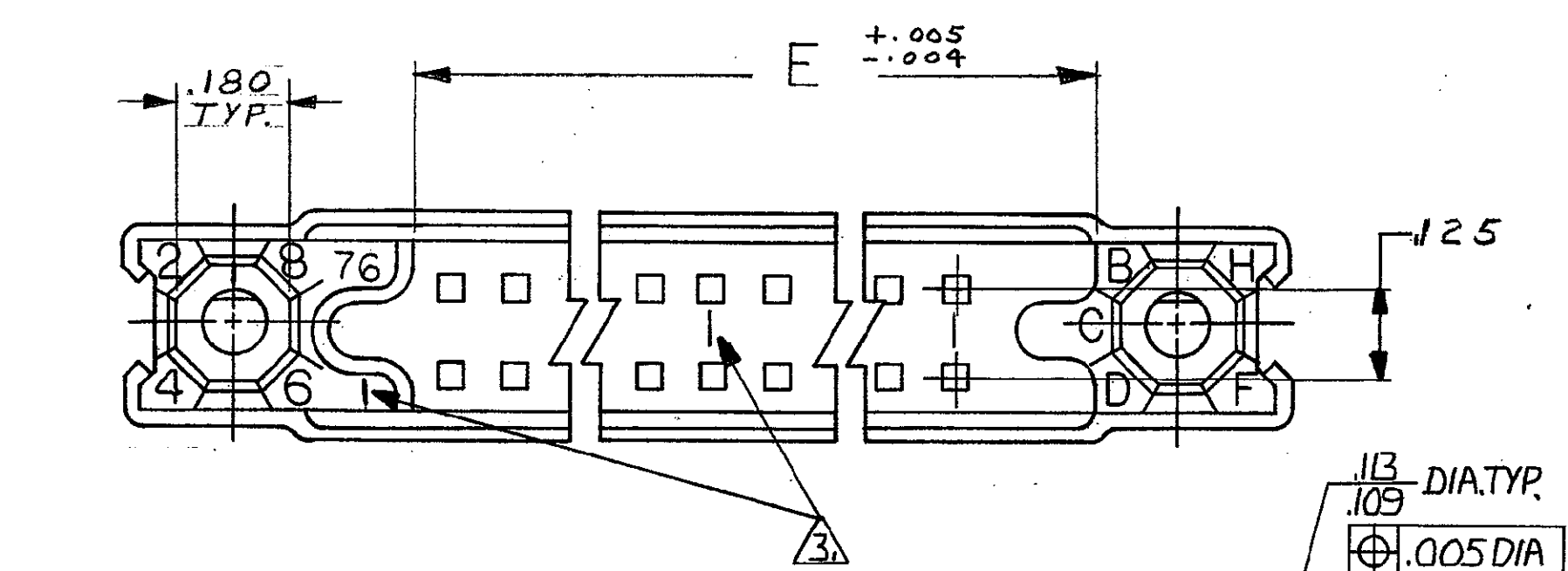
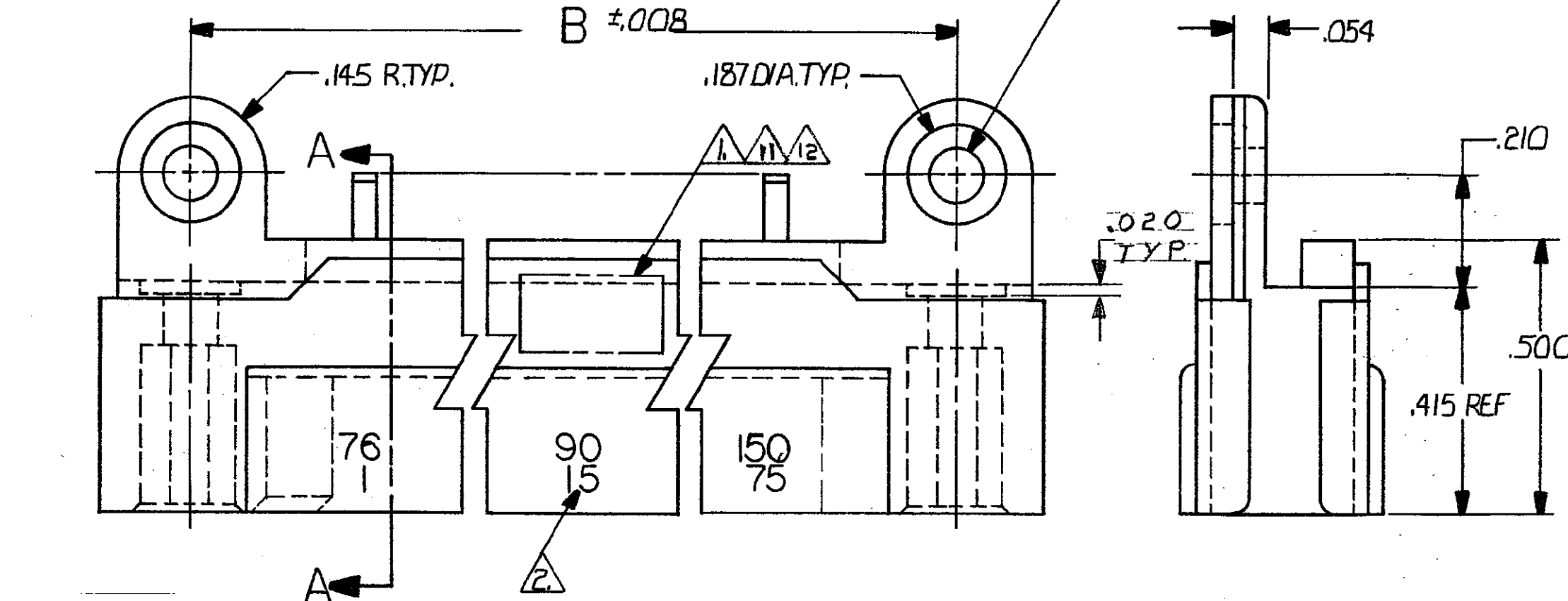
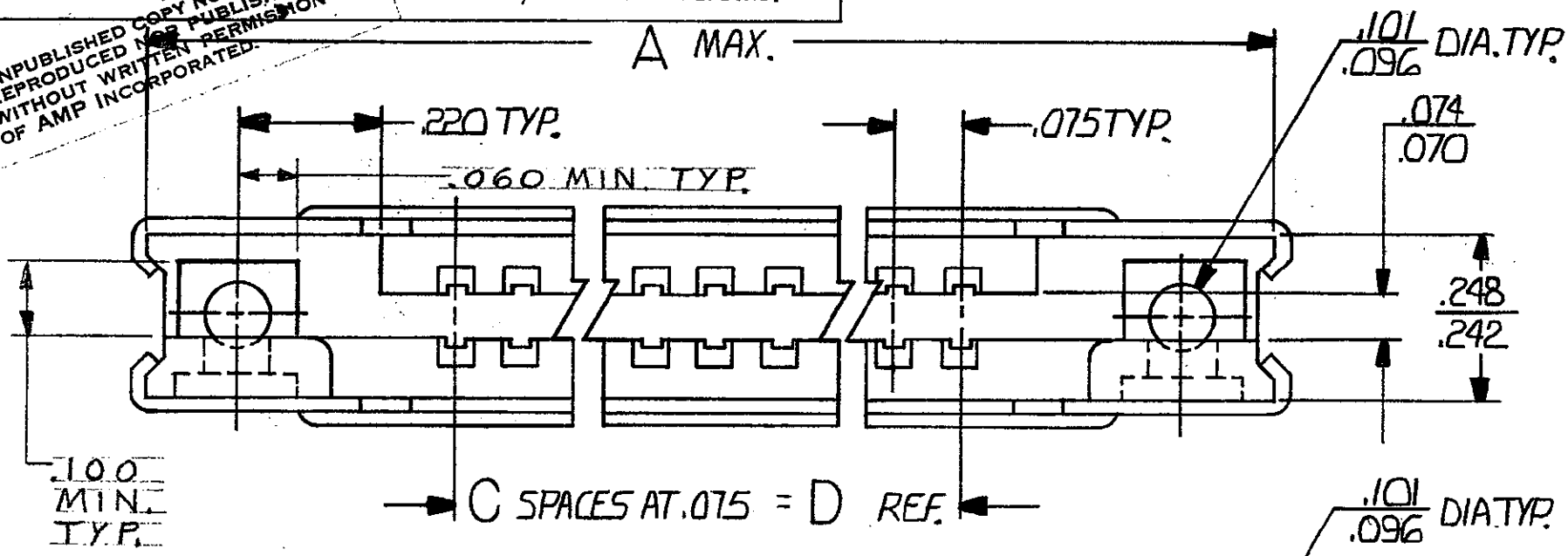


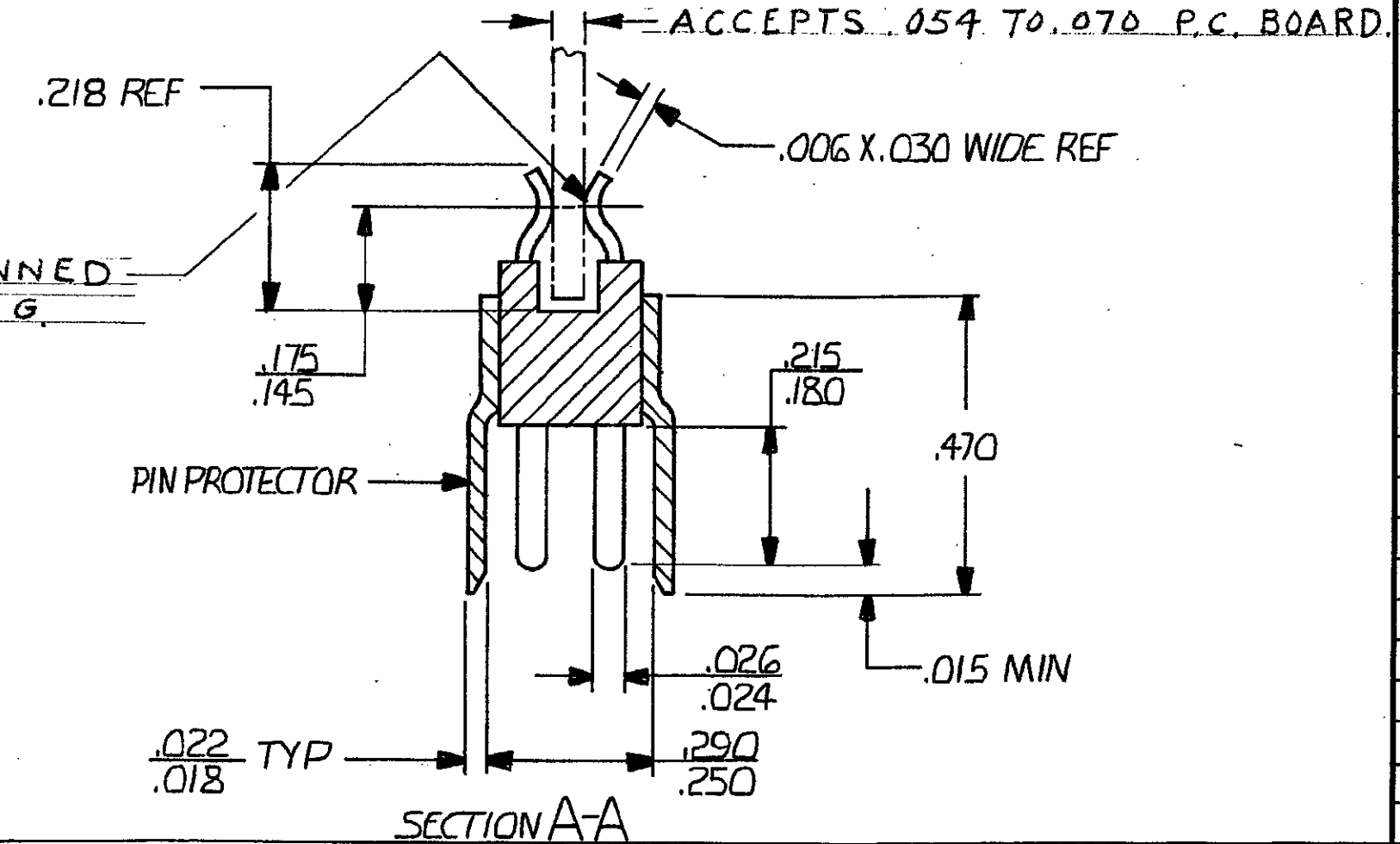
© COPYRIGHT 1977 BY AMP INCORPORATED, HARRISBURG, PA. ALL INTERNATIONAL RIGHTS RESERVED. AMP INCORPORATED PRODUCTS COVERED BY U.S. AND FOREIGN PATENTS AND/OR PATENTS PENDING.

UNPUBLISHED COPY NOT TO BE REPRODUCED OR TRANSMITTED IN ANY FORM OR BY ANY MEANS WITHOUT WRITTEN PERMISSION OF AMP INCORPORATED.

REVISIONS									
P	F	ZONE	LTR	DESCRIPTION	DATE	APPROVED			
✓	✓		Q	RELEASED WAS 5087-908-2 RW	2-1-77				
✓	✓		O1	REVISED 5092 m.s.	3-1-77				
			A	REVISED 5122 m.s.	3-77				
			B	REVISED 6191 m.s.	8-79				
			B1	ADDED 1--7 6239 m.s.	9-10-79				
			C	REVISED 6541 m.s.	2-26-80				
			C1	MIL. PIN'S ASSIGNED	4-80	DLK			
			D	REVISED 6734 m.s.	6-80				
			D1	REVISED 6924 m.s.	10-80				



- 1. CUSTOMER PART NO. 90133-1, ADDED TO STAMPING.
- 1. MILITARY PART NUMBER, 00779, DATE CODE, TE PART NUMBER AND AMP MARKED IN THIS AREA, EITHER SIDE.
- 2. NUMBERS INDICATING EVERY 5 CAVITIES TO BE MARKED ON SIDE
- 3. NUMBERS, 062 HIGH, AND LINES INDICATING EVERY 5 CAVITIES MOLDED OR MARKED. SEE SHEET 20F2
- 4. MUST MEET ALL APPLICABLE REQUIREMENTS OF MIL-C-55302.
- 6. USES KEY 530341-1 AND RIVET 530347-1.
- 7. HOUSING MATERIAL: DIALYL PHTHALATE PER MIL-M-14 TYPE SDG-F COLOR: BLUE.
- 8. CONTACT MATERIAL: BRASS PER MIL-C-55302 PLATED .000050 GOLD. OVER .000050 NICKEL.
- 9. PIN PROTECTOR MATERIAL: ALUMINUM PER MIL-C-55302.
- 10. OPTIONAL CUT-OUT FOR KEYING AFTER CONNECTOR IS MOUNTED.
- 11. MARKING: AMP PART NUMBER AND DATE CODE MARKED THIS AREA.



TABS PRE-TINNED FOR SOLDERING

UNLESS OTHERWISE SPECIFIED DIMENSIONS ARE IN INCHES. TOLERANCES ON: DECIMALS ±.005 ANGLES ±		CONTRACT NO		PART NO	
MATERIAL		DR Robert Weber 1-10-77		AMP INCORPORATED Harrisburg, Pa.	
FINISH		CHK R. Williams 2-3-77		NAME BOX CONNECTOR, PIN HEADER, .075 GRID.	
		APPD R. Williams 2-3-77		SIZE CODE IDENT NO DRAWING NO	
		APPD R. Shouman 2-3-77		C 00779 530785	
		DSGN APPD		REVISION K	
		OTHER APPD		SCALE 4-1 SHEET 1 OF 2	

© COPYRIGHT 1979 BY AMP INCORPORATED, HARRISBURG, PA. ALL INTERNATIONAL RIGHTS RESERVED. AMP INCORPORATED PRODUCTS COVERED BY U. S. AND FOREIGN PATENTS AND/OR PATENTS PENDING.

REVISIONS			
P	F	ZONE	LTR

SEE SHEET 1

M55302/23-24	46/1	▲	3.575	3.300	44	3.965	4.267	90	1-530785-7
M55302/23-16	6/1	▲	.575	.300	4	.965	1.267	10	1-530785-6
M55302/23-17	11/1	▲	.950	.675	9	1.340	1.642	20	1- -5
M55302/23-18	16/1		1.325	1.050	14	1.715	2.017	30	1- -4
M55302/23-19	21/1		1.700	1.425	19	2.090	2.392	40	1- -3
M55302/23-20	26/1		2.075	1.800	24	2.465	2.767	50	1- -2
M55302/23-21	31/1		2.450	2.175	29	2.840	3.142	60	1- -1
M55302/23-22	36/1		2.825	2.550	34	3.215	3.517	70	1- -0
M55302/23-23	41/1		3.200	2.925	39	3.590	3.892	80	-9
M55302/23-25	51/1		3.950	3.675	49	4.340	4.642	100	-8
M55302/23-26	56/1		4.325	4.050	54	4.715	5.017	110	-7
M55302/23-27	61/1		4.700	4.425	59	5.090	5.392	120	-6
M55302/23-29	81/1		6.200	5.925	79	6.590	6.892	160	-5
M55302/23-30	91/1		6.950	6.675	89	7.340	7.642	180	-4
	46/1	▲	3.575	3.300	44	3.965	4.267	90	-3
M55302/23-28	76/1	▲	5.825	5.550	74	6.215	6.517	150	-2
	76/1	▲	5.825	5.550	74	6.215	6.517	150	-530785-1

OBS

MIL-C-55302 PART NUMBER	CONTACT IDENT. NO.	NOTES	E	D	C	B	A	NO. OF CONTACTS	PART NO
		UNLESS OTHERWISE SPECIFIED DIMENSIONS ARE IN INCHES. TOLERANCES ON: DECIMALS ± ANGLES ±	CONTRACT NO		AMP INCORPORATED Harrisburg, Pa.				
		MATERIAL	DR <i>M. Smiesz</i> 8-13-79		NAME BOX CONNECTOR, PIN HEADER, .075 GRID.				
		FINISH	CHK <i>R. Durbie</i> 8/21/79		SIZE CODE IDENT NO DRAWING NO				
			APPD <i>R. Durbie</i> 8/21/79		CJ 00779 530785				
			APPD <i>R. Durbie</i> 8/21/79		REV K				
			DSGN APPD		SCALE # SHEET 2 OF 2				
			OTHER APPD		CUSTOMER DRAWING				