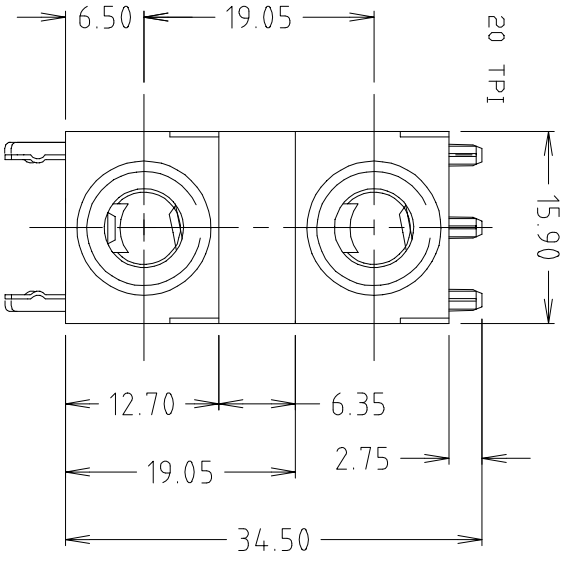
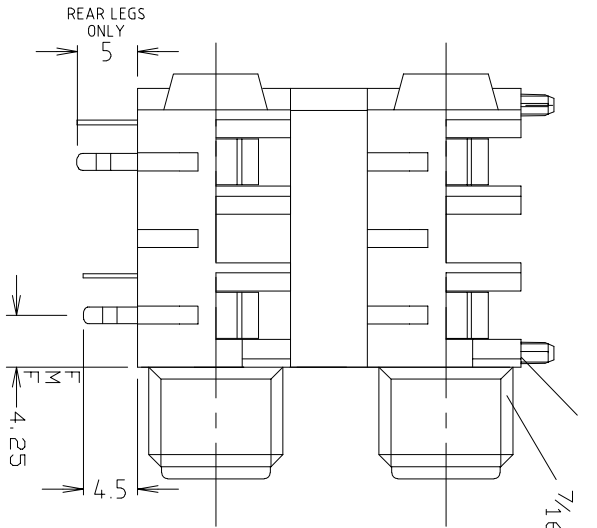
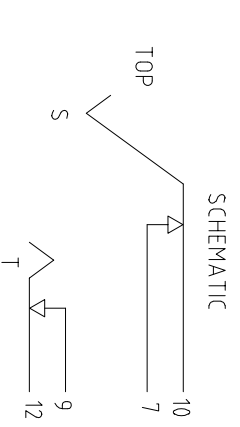


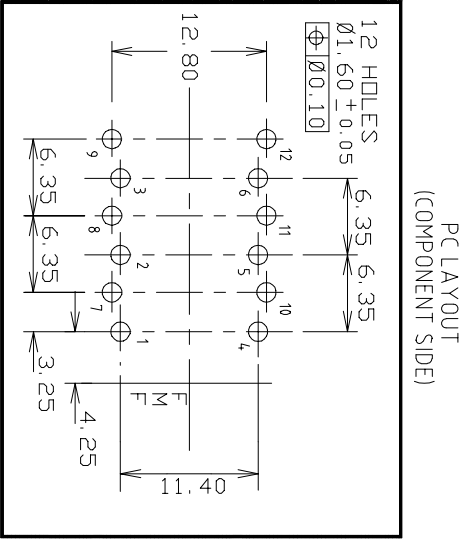
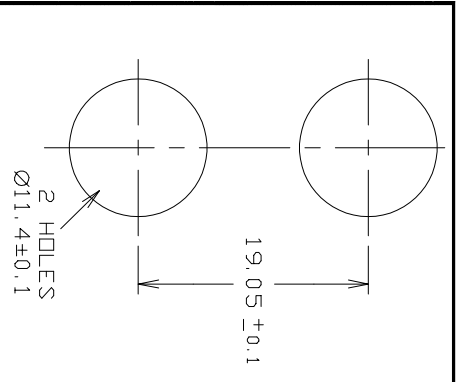
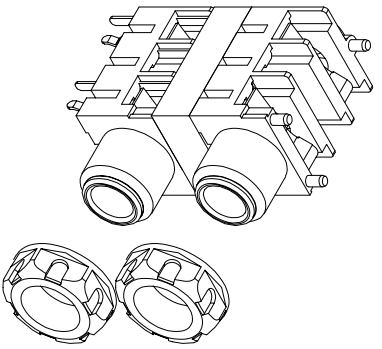
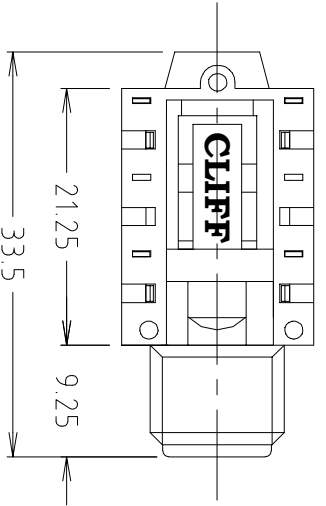
STACKING PEGS



REV	REVISION	DATE
1	1st DRAWN	14/1/10



SWITCH CONTACTS OPEN WHEN PLUG IS INSERTED, CLOSE WHEN PLUG IS WITHDRAWN.



Cliff Electronic Components Ltd.
 76 Holmehorpe Avenue, Holmehorpe Industrial Estate,
 Redhill, Surrey, RH11 2PF, England, UK
 Tel: 01737 771315 Fax: 01737-765012 Website: www.cliffuk.co.uk

DIMENSIONS IN MILLIMETERS UNLESS OTHERWISE STATED. WORK TO DIMENSIONS. REMOVE ALL BURRS. IF IN DOUBT ASK

MATERIAL: **COMPOSITE**

FINISH: **CLEAN**

DRAWN: **C.A.M.J.**

APPROVED: **R.W.T.**

3rd ANGLE PROJECTION:

TITLE: **STACKJACK S1C/SH/BNBX2 WITH NUTS**

DRWG. No. **FCR1120**

FORM: **ADDRWC**

ROHS COMPLIANT

TOLERANCE

NO DEC. PLACE ±

1 DEC. PLACE ±

2 DEC. PLACE ±

HOLE Ø ±

ANGLES ± 1/2°

UNLESS OTHERWISE STATED

DO NOT SCALE