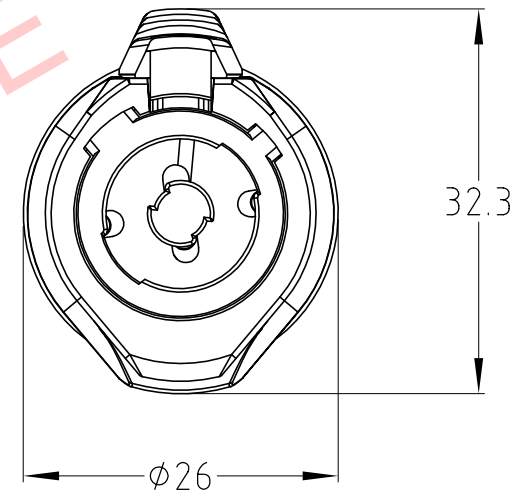
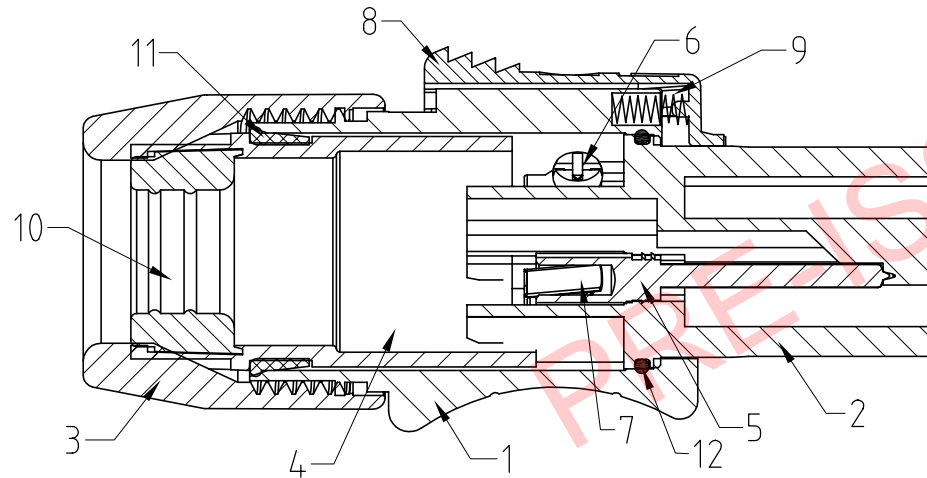
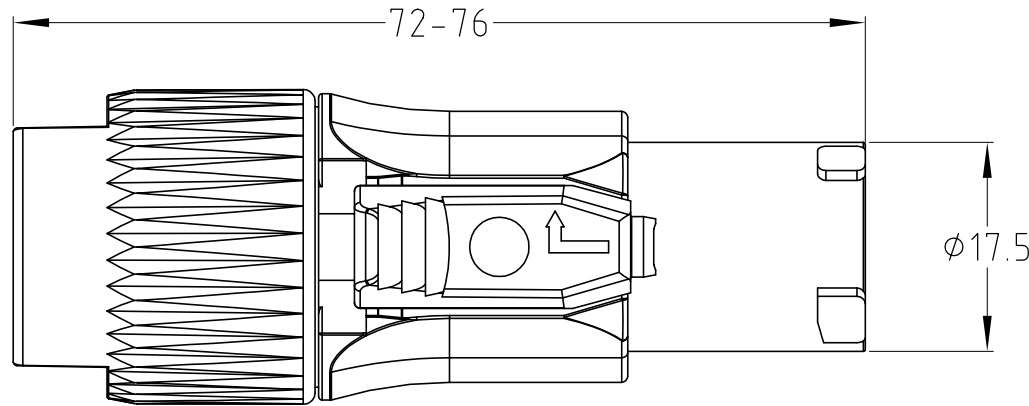


ISS.	AMEND	DATE
1	ISSUED	31/10/18



ITEM	DESCRIPTION	QTY	MATERIAL	FINISH
1	BODY	1	PA6 30% GF	BLUE
2	FRONT INSERT	1	PA6 30% GF	BLUE
3	LOCKRING REAR	1	PA6 30% GF	BLUE
4	INNER SLEEVE	1	PA6	BLACK
5	CONTACTS	3	BRASS	Ag PLATED
6	SCREWS	3	STEEL	BLACK
7	SCREW CONTACT	3	BRASS	Ag PLATED
8	LATCH	1	ZINC ALLOY	Ni PLATED
9	SPRING	1	SPRING STEEL	Ni PLATED
10	SEALING RING	1	RUBBER	BLACK
11	SEALING RING	1	RUBBER	BLACK
12	SEALING RING	1	RUBBER	BLACK

WARNING
DO NOT CONNECT OR DISCONNECT
WHEN UNDER LOAD OR LIVE.

Number of contacts: 2+PE
Contact Resistance: $\approx 3m\Omega$
Insulation Resistance after: $\approx 100M\Omega$
Dielectric strength: 4000Vdc
Rated voltage: 250V ac
Rated current per contact: 20A rms
Mates with FM12300 - Power IN Socket (Blue)

RoHS
COMPLIANT

TOLERANCE
NO DEC. PLACE \pm
1 DEC. PLACE \pm
2 DEC. PLACE \pm
HOLE $\varnothing \pm$
ANGLES \pm
UNLESS
OTHERWISE STATED

DO NOT SCALE

Cliff Electronic Components Ltd.
76 Holmethorpe Avenue, Holmethorpe Industrial Estate,
Redhill, Surrey, RH1 2PF, England, UK
Tel: 01737-771375 Fax: 01737-766012 Website: www.cliffuk.co.uk

DIMENSIONS IN MILLIMETERS UNLESS OTHERWISE STATED. WORK TO DIMENSIONS. REMOVE ALL BURRS. IF IN DOUBT ASK.

3rd ANGLE PROJECTION:

MATERIAL: SEE TABLE

FINISH: BLUE - SEE TABLE

DRAWN: T.J.O

APPROVED: D.P.J

TITLE: CLIFFCON P - POWER IN PLUG (BLUE)

DRWG. No. **FM12301**

FORM: A4DRWGf