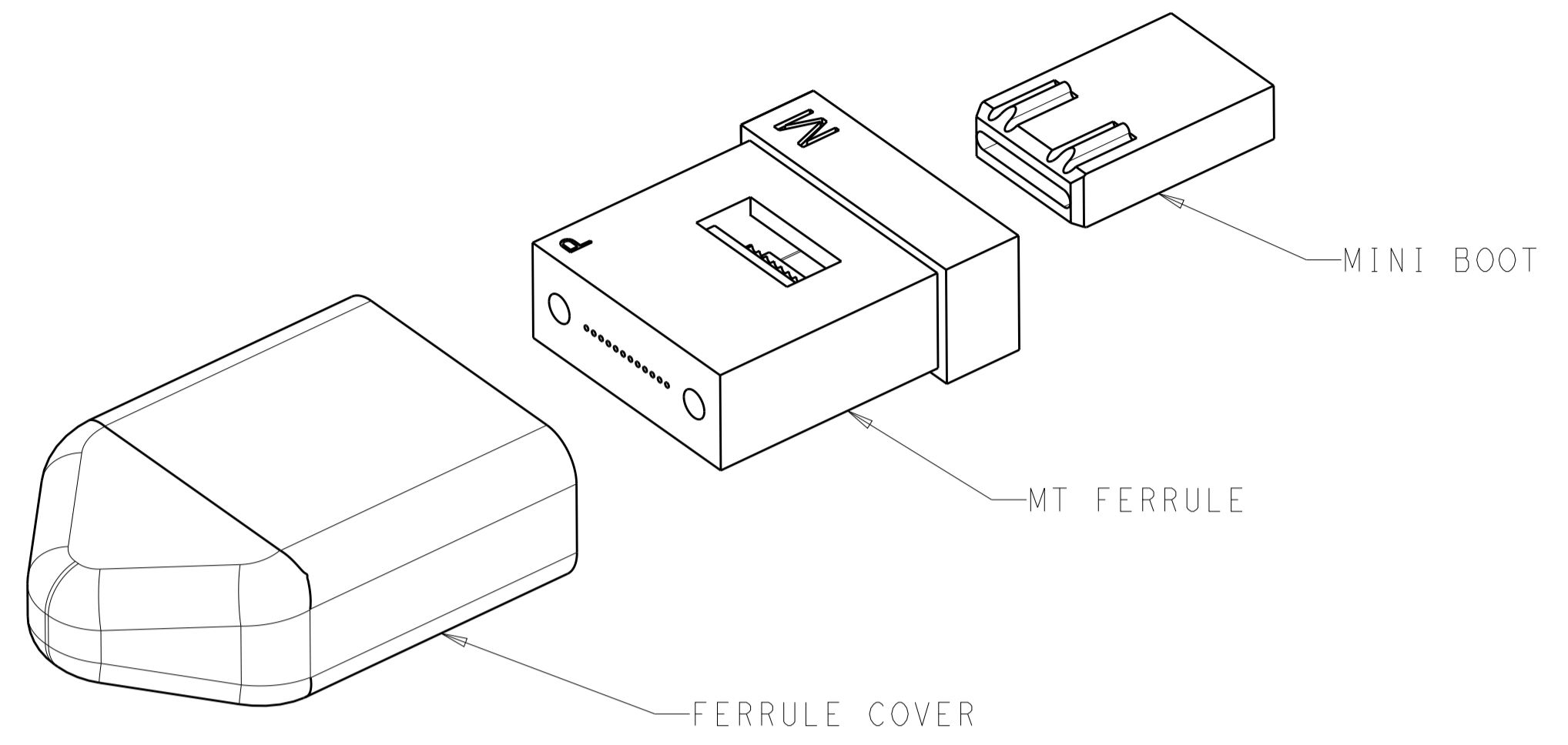
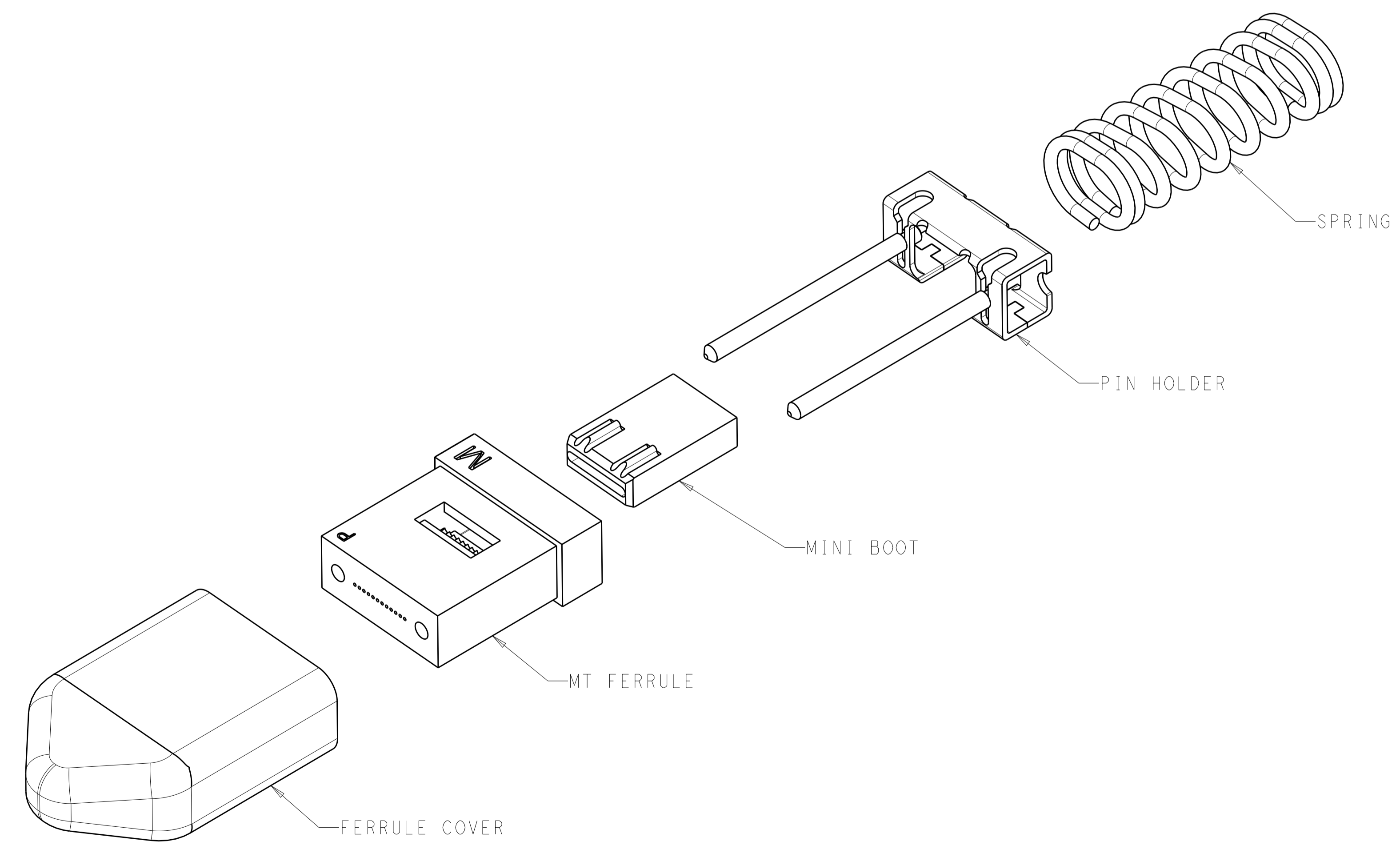


LOC		DIST		REVISIONS			
				REV	DATE	BY	APPV
-	-	A	-	RELEASED PER ECO-14-017426	10DEC2014	-	-



2102866-1 <sup>3</sup>  
RECEPTACLE (BACKPLANE) KIT

- 1 MATERIAL:  
 MT FERRULE: THERMOPLASTIC, PER ASTM D4067  
 MINI BOOT: VULCANIZED THERMOPLASTIC POLYOLEFIN  
 FERRULE COVER: PVC  
 SPRING: 300 SERIES STAINLESS STEEL WIRE, PER ASTM A313  
 PIN HOLDER: 300 SERIES STAINLESS STEEL, PER ASTM A167  
 PINS: 400 SERIES STAINLESS STEEL, PER ASTM A276
- 2 FINISH:  
 SPRING: PASSIVATED
- 3 UNASSEMBLED RECEPTACLE FIBER OPTIC KIT  
 CONTAINING THE MT FERRULE, MINI-BOOT AND FERRULE COVER  
 ALL PACKAGED IN A POLY BAG, MARKED WITH PART NUMBER AND DATE CODE.
- 4 UNASSEMBLED PLUG FIBER OPTIC KIT,  
 CONTAINING MT FERRULE, MINI-BOOT, PIN HOLDER, SPRING AND FERRULE COVER  
 ALL PACKAGED IN A POLY BAG, MARKED WITH PART NUMBER AND DATE CODE.



2102866-2 <sup>4</sup>  
PLUG (MODULE) KIT

MULTI-MODE, 12-FIBER, STANDARD GRADE	UNASSEMBLED PLUG KIT	<sup>4</sup>	2102866-2
MULTI-MODE, 12-FIBER, STANDARD-GRADE	UNASSEMBLED RECEPTACLE KIT	<sup>3</sup>	2102866-1
MT FERRULE TYPE		COMMENTS	PART NUMBER

THIS DRAWING IS A CONTROLLED DOCUMENT.		OWN: D. FABIAN	09FEB2012	TE Connectivity
DIMENSIONS: mm		CHK: -	APVD: -	
TOLERANCES UNLESS OTHERWISE SPECIFIED:		PRODUCT SPEC		MT FERRULE KIT FIBER OPTIC
0 PLC ±		108-2247		
2 PLC ±0.13		APPLICATION SPEC		SIZE: CAGE CODE DRAWING NO RESTRICTED TO
3 PLC ±0.013		114-32050		
4 PLC ±		WEIGHT		A100779C=2102866
ANGLES ±1		Customer Drawing		
MATERIAL		SCALE 8:1		SHEET 1 OF 1
FINISH		REV A		