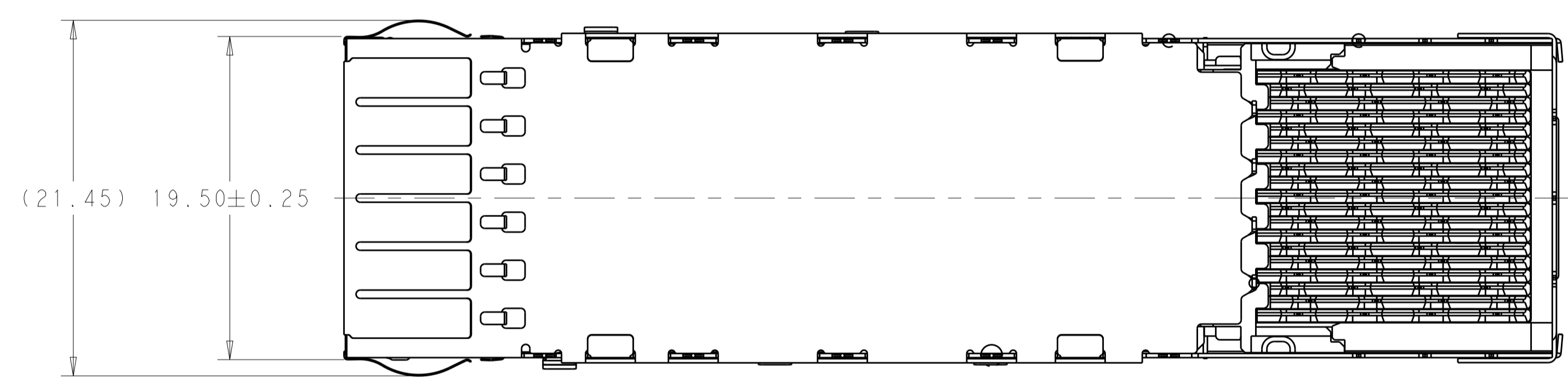
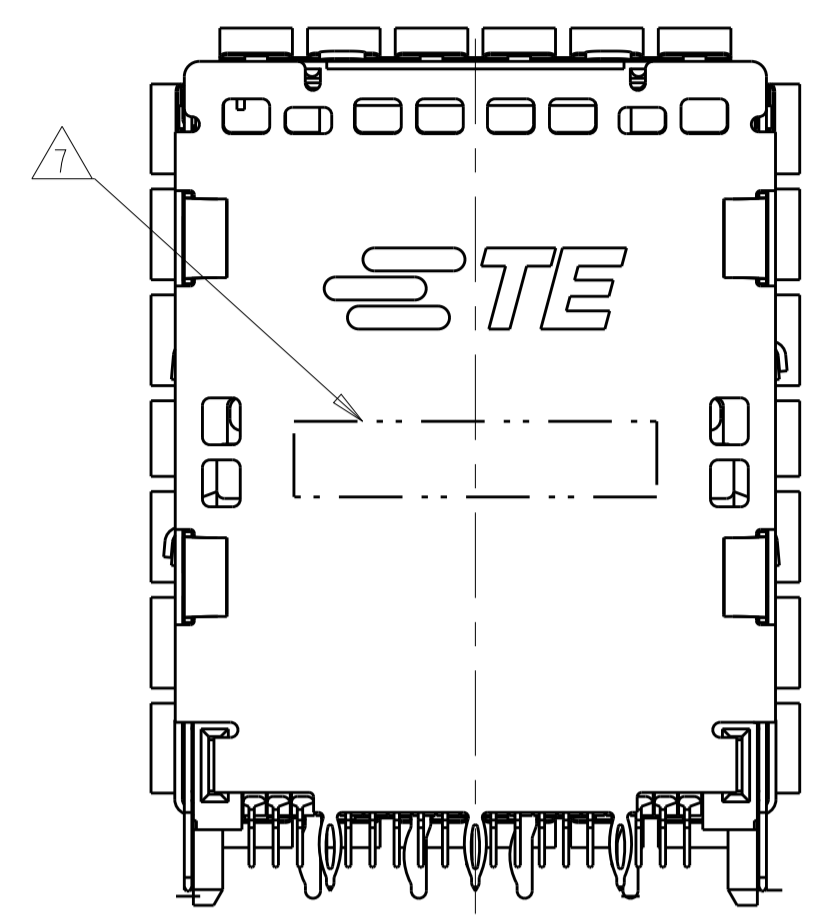
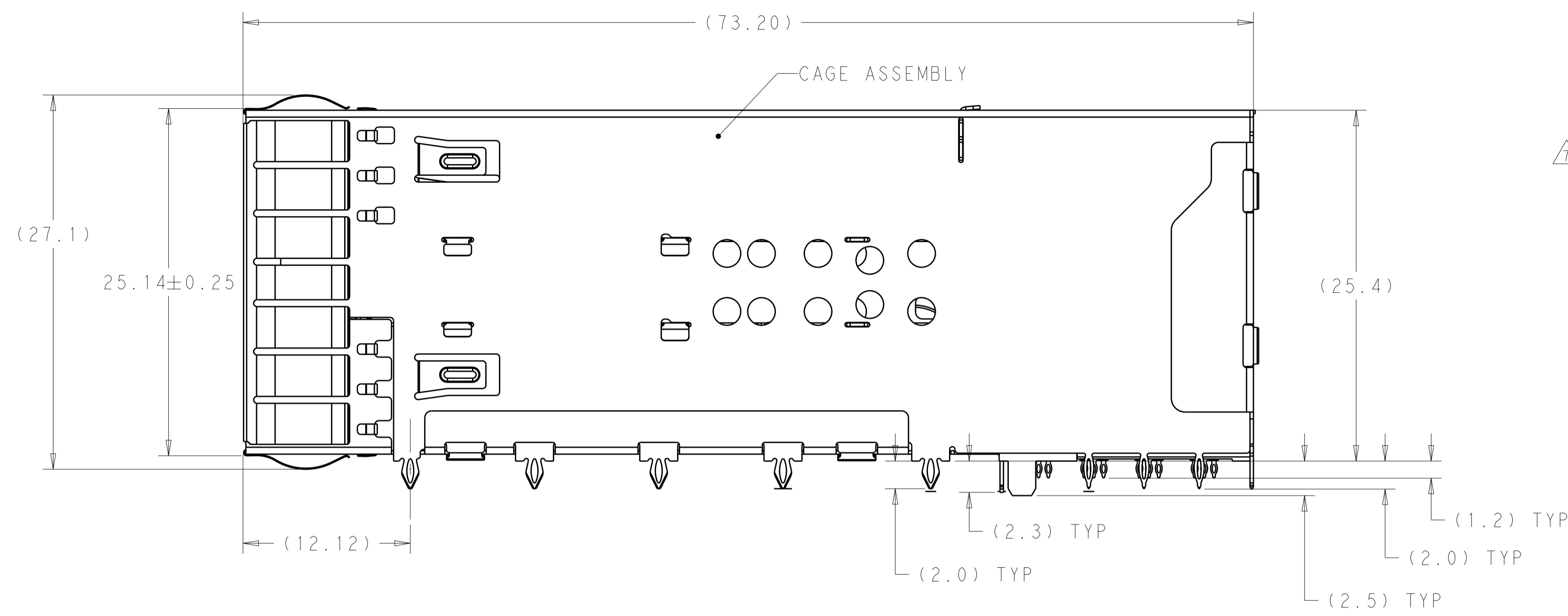
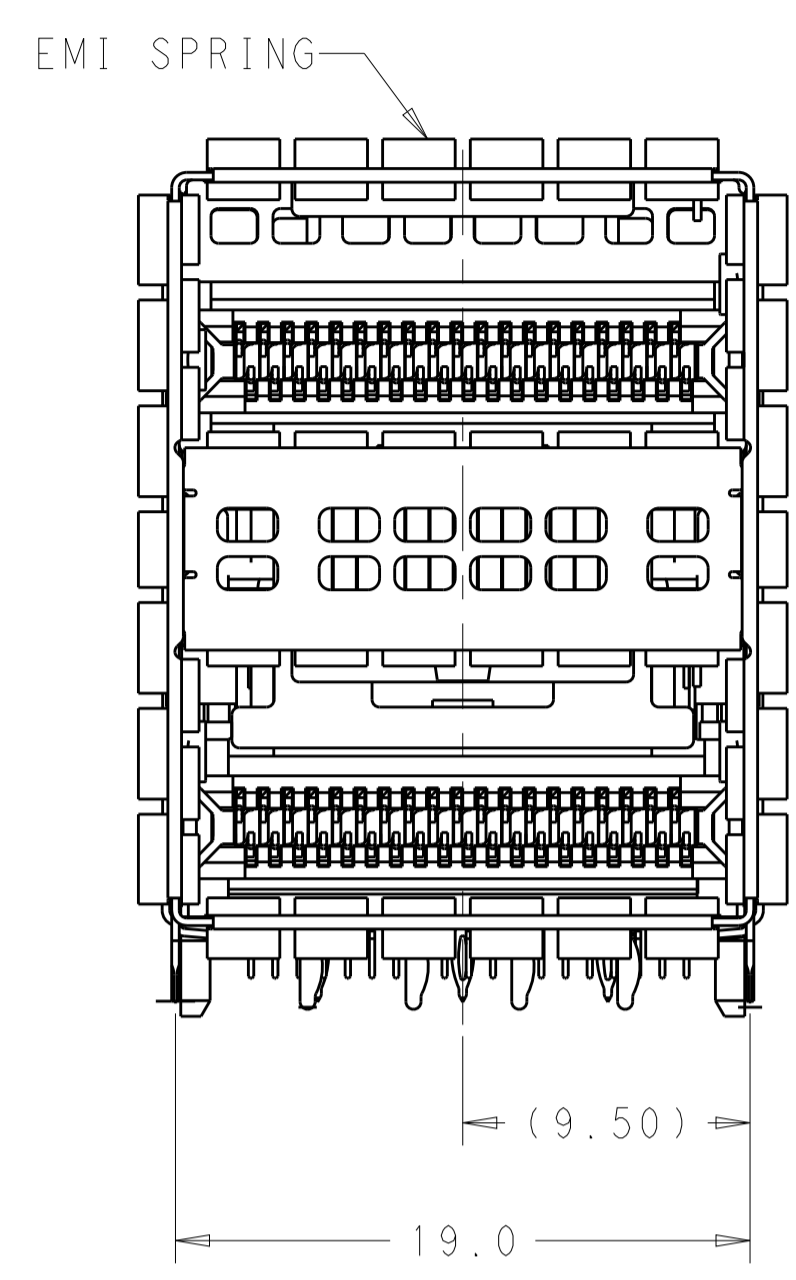


| LOC | DIST | REVISIONS | | | | | |
|-----|------|-----------|-----|---------------------------|-----------|-----|------|
| GP | 00 | P | LTN | DESCRIPTION | DATE | DWN | APVD |
| | | A | | RELEASED FOR PRODUCTION | 02MAR2016 | TX | SH |
| | | B | | REVISED PER ECO-18-007430 | 14MAY2016 | TX | SH |



- MATERIALS:
 CAGE ASSEMBLY- NICKEL SILVER ALLOY PER ASTM B 122.
 EMI SPRING- COPPER ALLOY, NICKEL PLATED.
 HOUSING- POLYESTER LCP WITH 94V-0.
 CHICKLET- POLYESTER LCP WITH 94V-0.
 CONTACT- COPPER ALLOY.
 LIGHTPIPE- POLYCARBONATE WITH 94V-0.
- CONTACT FINISH: 0.76µm GOLD ON MATING END, 0.7-1.5µm MATT TIN ON COMPLIANT AREA, ALL OVER 1.27µm NICKEL.
- DATUM AND BASIC DIMENSION ESTABLISHED BY CUSTOMER.
- MINIMUM PCB THICKNESS OF 1.57.
- THE ENTIRE AREA OF THE CONNECTOR FOOTPRINT, INDICATED BY THE DASHED LINE, TO BE CONSIDERED THE KEEPOUT AREA FOR COMPONENTS.
- CROSS-HATCHED AREAS REPRESENT ZONES ON THE PCB THAT COME IN CONTACT WITH OR BE IN CLOSE PROXIMITY TO THE PLASTIC HOUSING OR THE CONNECTOR CAGE. INDICATED AREAS TO BE CONSIDERED TRACE FREE.
- PART NUMBER AND DATE CODE MADE IN APPROXIMATE AREA SHOWN.
- CONTACT FINISH: 0.08µm MINIMUM GOLD OVER 0.68µm PALLADIUM-NICKEL ON MATING AREA, 0.7-1.5µm MATT TIN ON COMPLIANT AREA, ALL OVER 1.27µm NICKEL.
- HATCHED AREA IS PLACEMENT ZONE FOR LED. LED SHOULD BE CENTERED WITHIN ZONE. RECOMMEND 0805 PACKAGE.
- THE ORDER FOR LED LOACTION,CORRESPONDING TO THE LIGHT PIPES

| CONTACT FINISH | DESCRIPTION | PART NUMBER |
|----------------|--------------------------|-------------|
| 2 | LEFT INDICATOR UP | 2-2227669-0 |
| 2 | ROUND INDICATOR, 4LP | 1-2227669-1 |
| 2 | ALL INDICATOR DOWN, 4LP | 1-2227669-0 |
| 2 | LEFT INDICATOR DOWN, 4LP | 2227669-9 |
| 2 | LEFT INDICATOR UP, 4LP | 2227669-8 |
| 2 | ALL INDICATOR UP, 4LP | 2227669-7 |
| 8 | LEFT INDICATOR DOWN | 2227669-6 |
| 8 | LEFT INDICATOR UP | 2227669-5 |
| 8 | NO LIGHT PIPE | 2227669-4 |
| 2 | LEFT INDICATOR DOWN | 2227669-3 |
| 2 | LEFT INDICATOR UP | 2227669-2 |
| 2 | NO LIGHTPIPE | 2227669-1 |

THIS DRAWING IS A CONTROLLED DOCUMENT.

DIMENSIONS: mm

TOLERANCES UNLESS OTHERWISE SPECIFIED:

| | |
|--------|-------|
| 0 PLC | ± |
| 1 PLC | ±0.25 |
| 2 PLC | ±0.15 |
| 3 PLC | ± |
| 4 PLC | ± |
| ANGLES | ± |
| FINISH | ± |

MATERIAL: SEE NOTE 1

OWN: M. SHIRK 16JAN2013
 CHK: D. SZCZESNY 16JAN2013
 APVD: -

PRODUCT SPEC: 108-60102
 APPLICATION SPEC: 114-60015

WEIGHT: -

CUSTOMER DRAWING

TE Connectivity

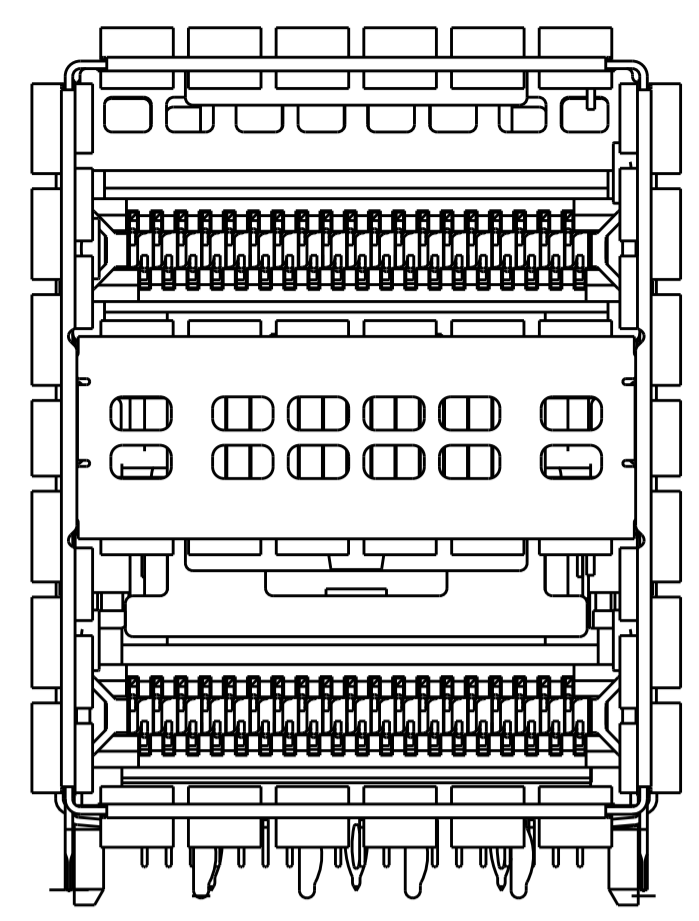
CAGE AND CONNECTOR ASSEMBLY, WITH EMI SPRING FINGERS, THRU BEZEL, 2X1, ZOSFP+ STACKED

SIZE: A1
 CAGE CODE: 100779
 DRAWING NO: 2227669

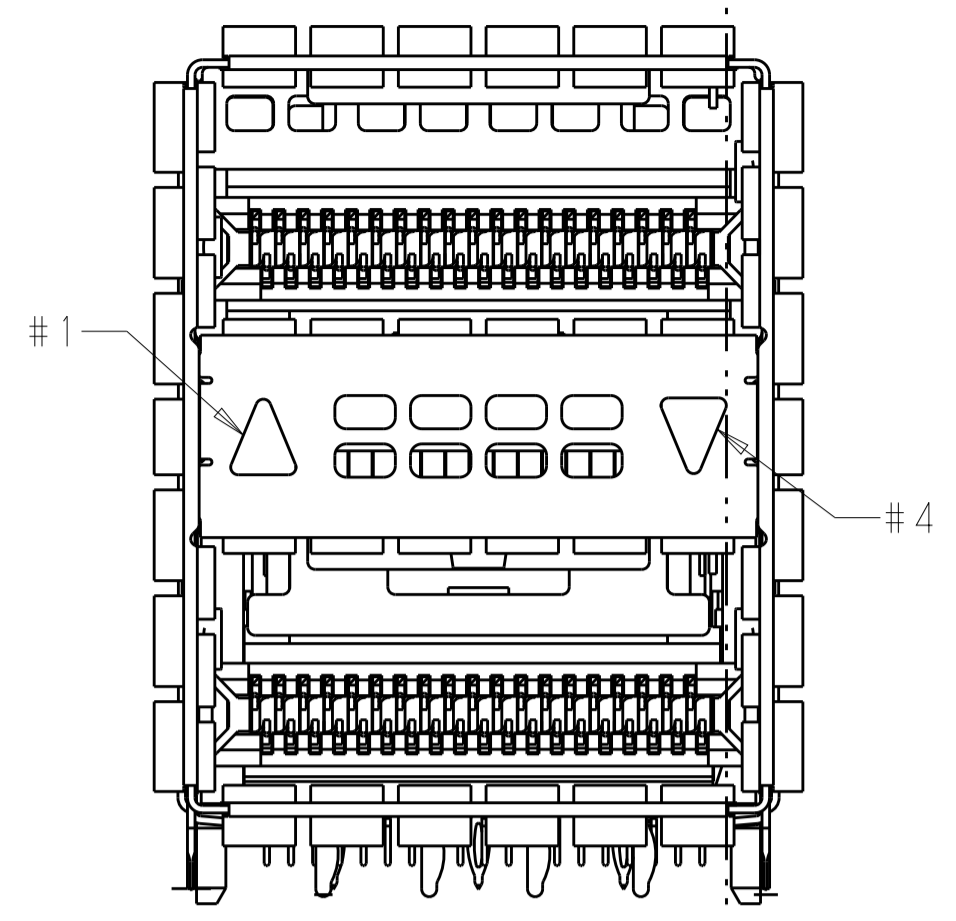
RESTRICTED TO: -

SCALE: 4:1 SHEET 1 OF 6 REV B

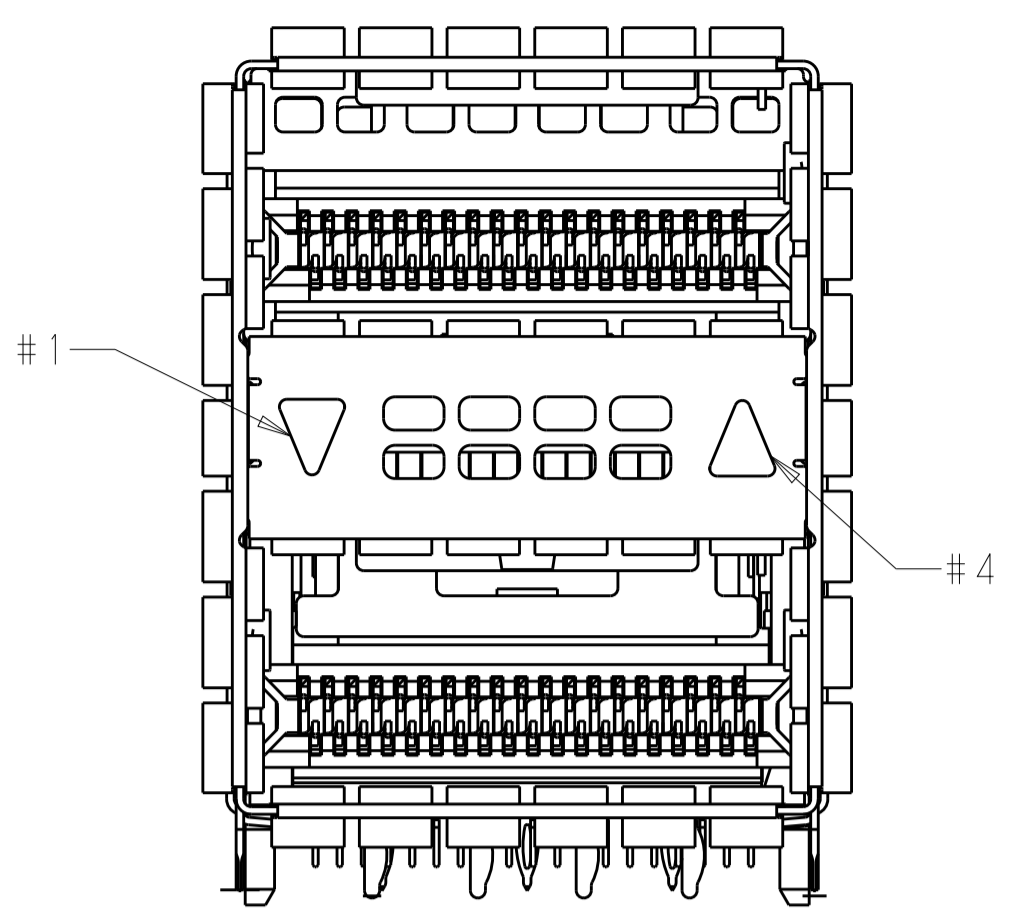
| LOC | | DIST | | REVISIONS | | | |
|-----|----|------|-----|-------------|------|-----|------|
| GP | 00 | P | LTN | DESCRIPTION | DATE | OWN | APVD |
| | | - | | SEE SHEET 1 | | | |



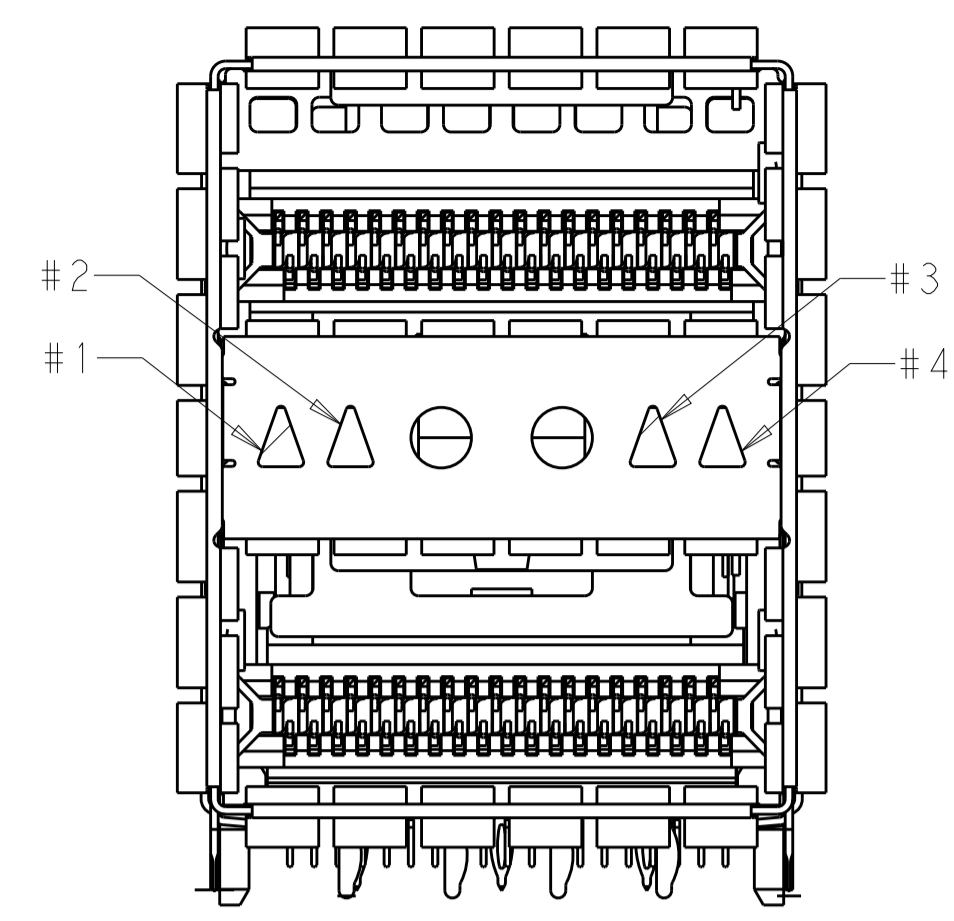
2227669-1
 2227669-4
 NO LIGHTPIPE IN ASSEMBLY



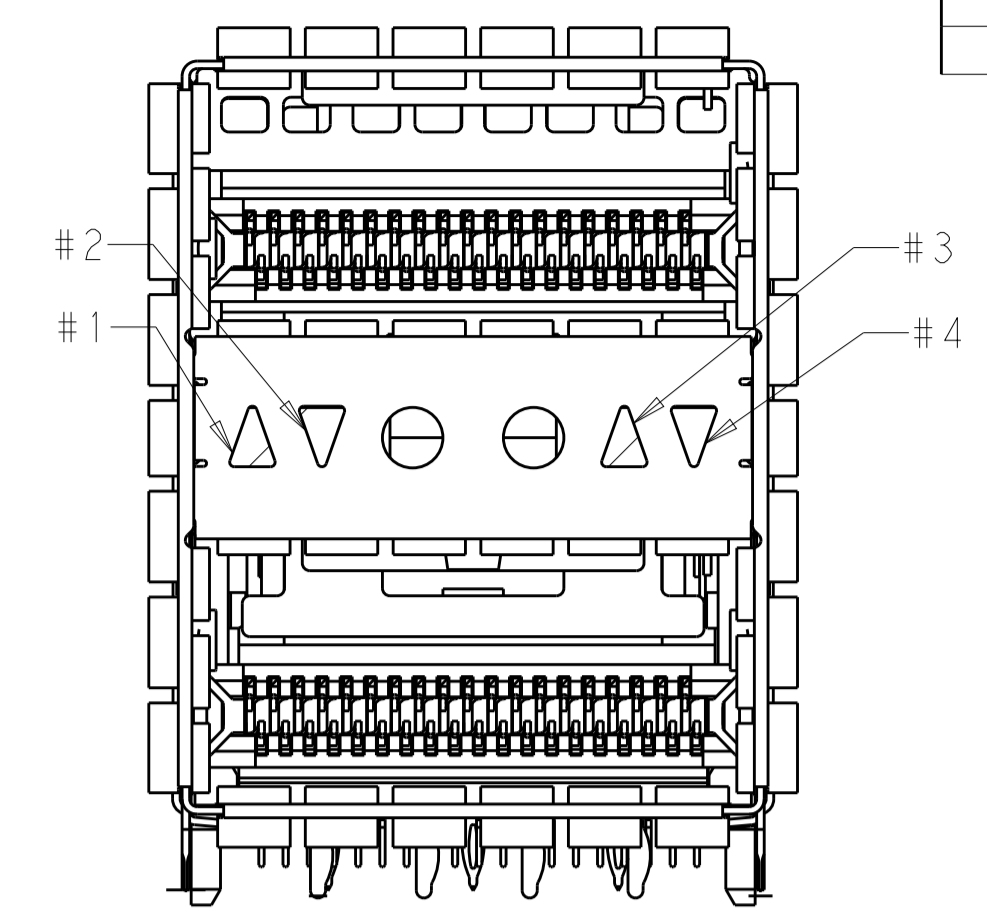
2227669-2
 2227669-5
 LEFT INDICATOR UP



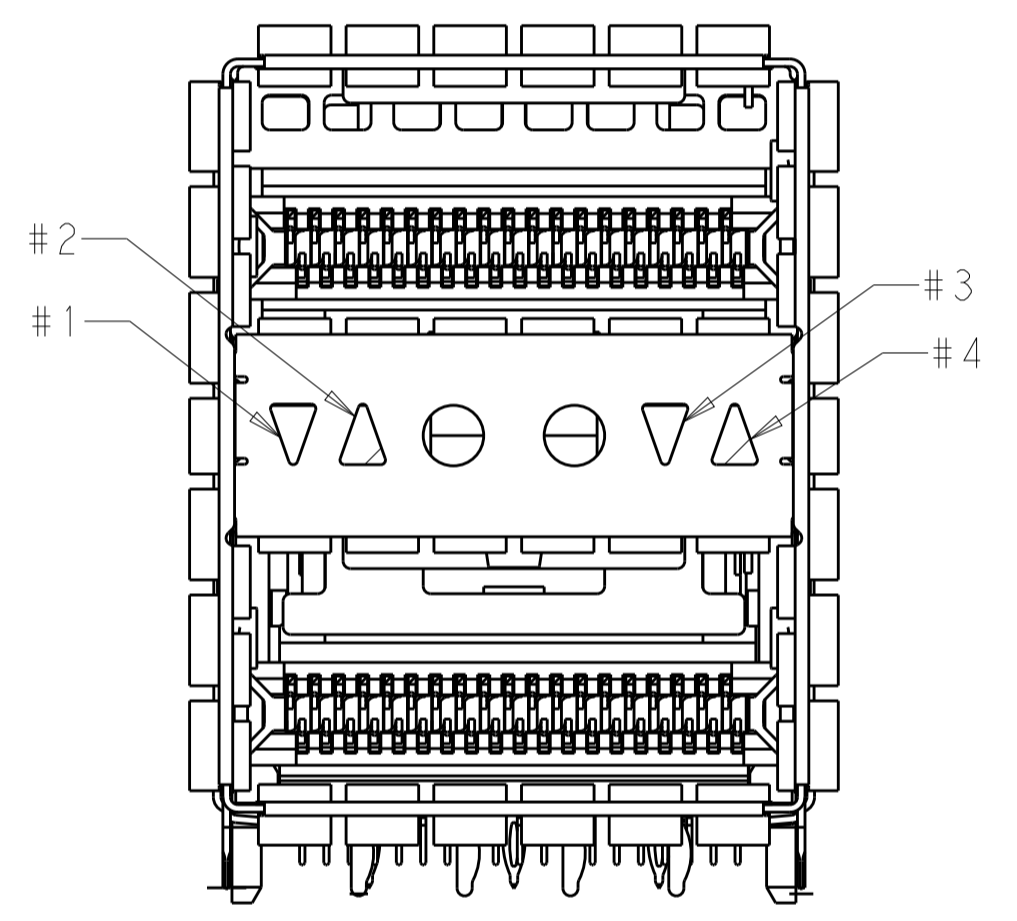
2227669-3
 2227669-6
 LEFT INDICATOR DOWN



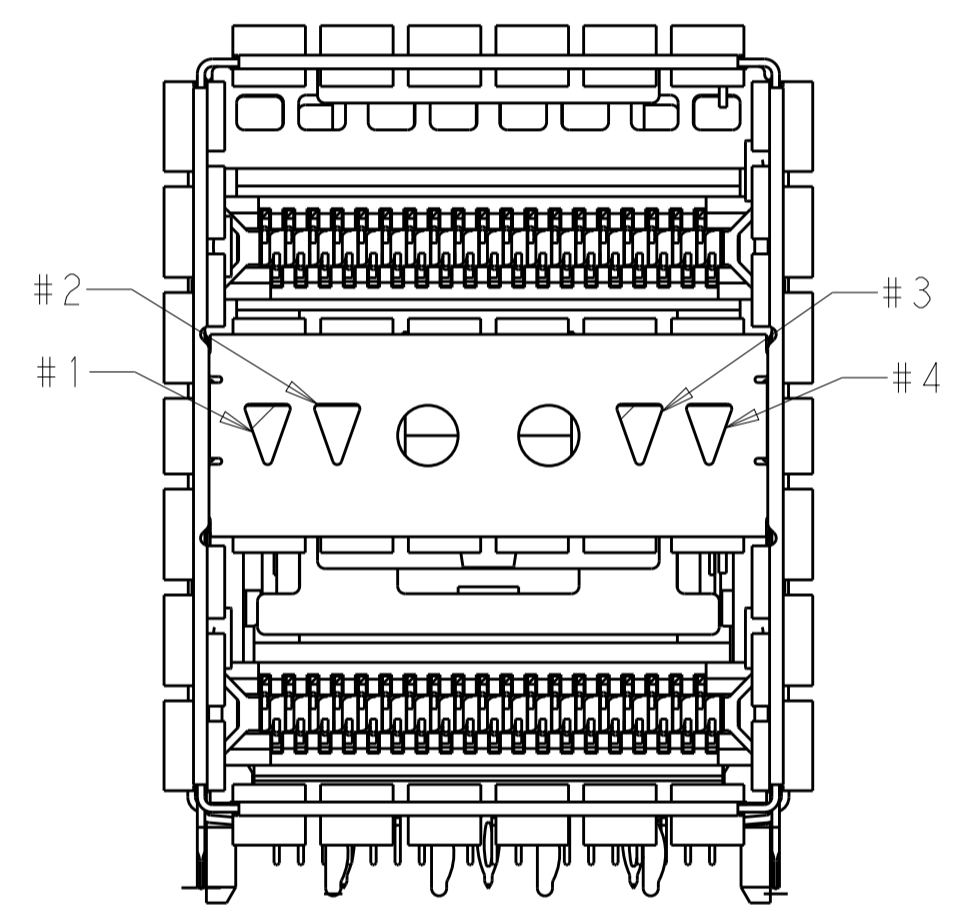
2227669-7
 ALL INDICATOR UP, 4LP



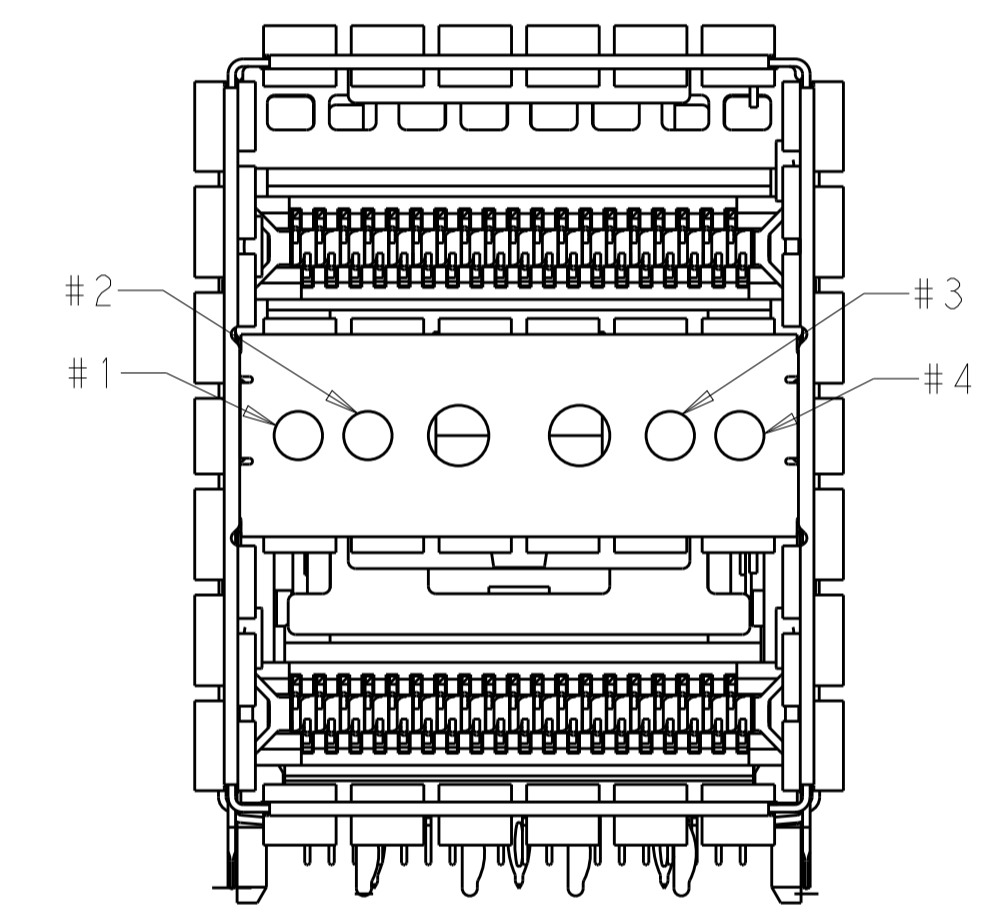
2227669-8
 LEFT INDICATOR UP, 4LP



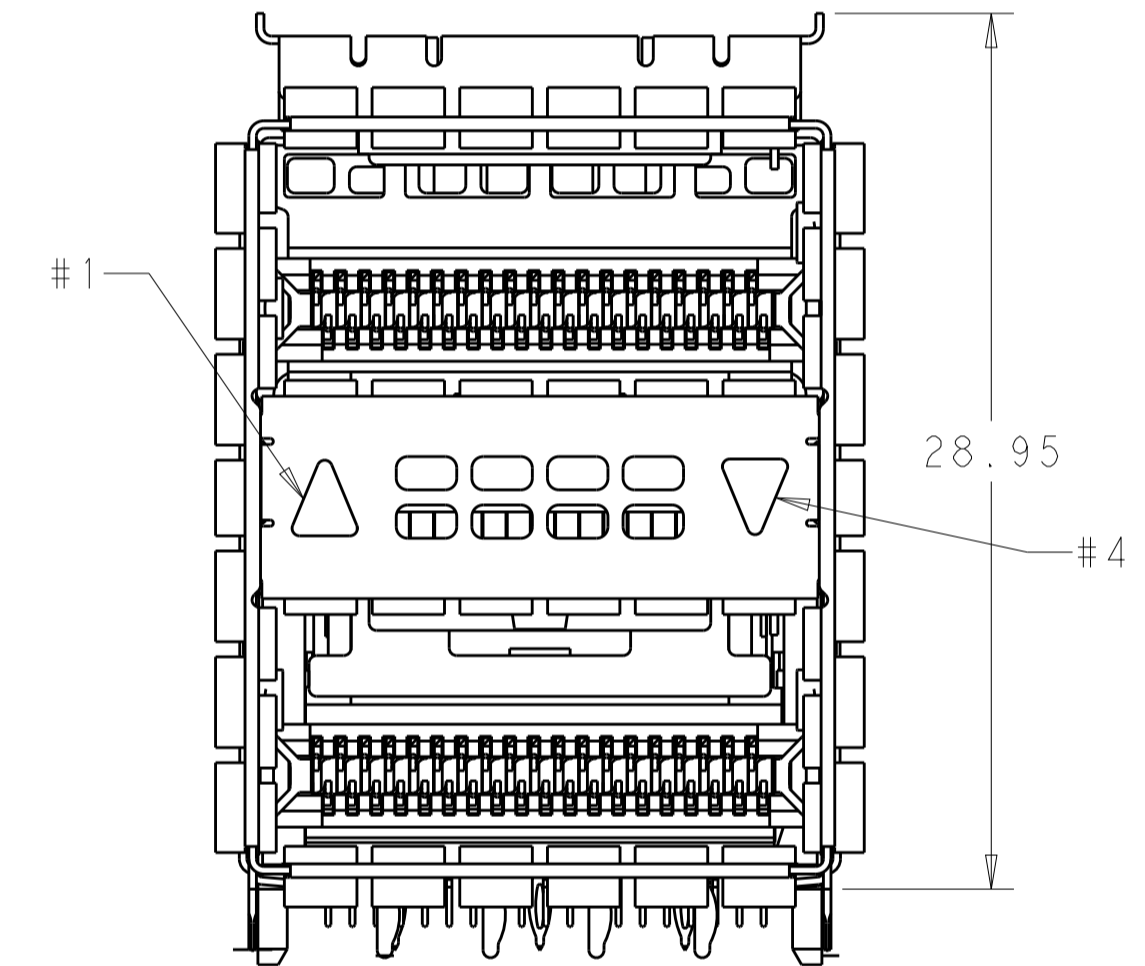
2227669-9
 LEFT INDICATOR DOWN, 4LP



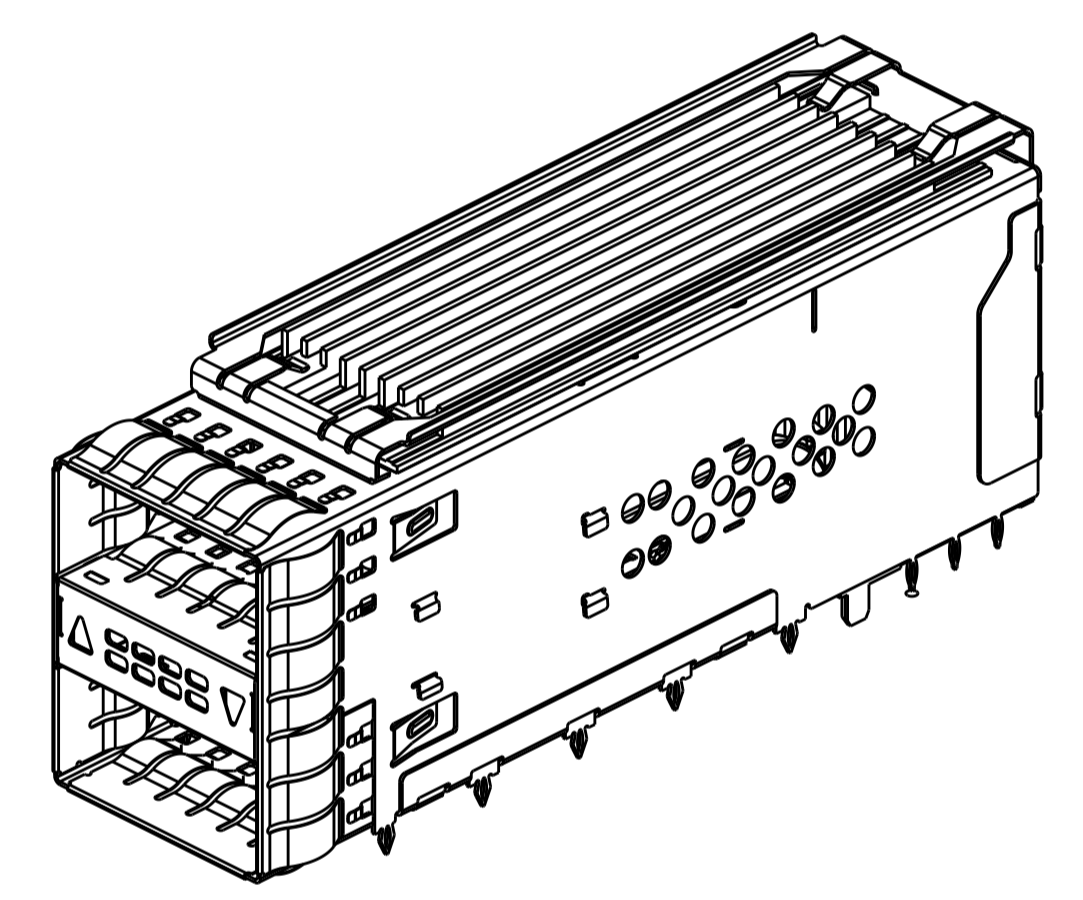
1-2227669-0
 ALL INDICATOR DOWN, 4LP



1-2227669-1
 ROUND SHAPE INDICATORS, 4LP



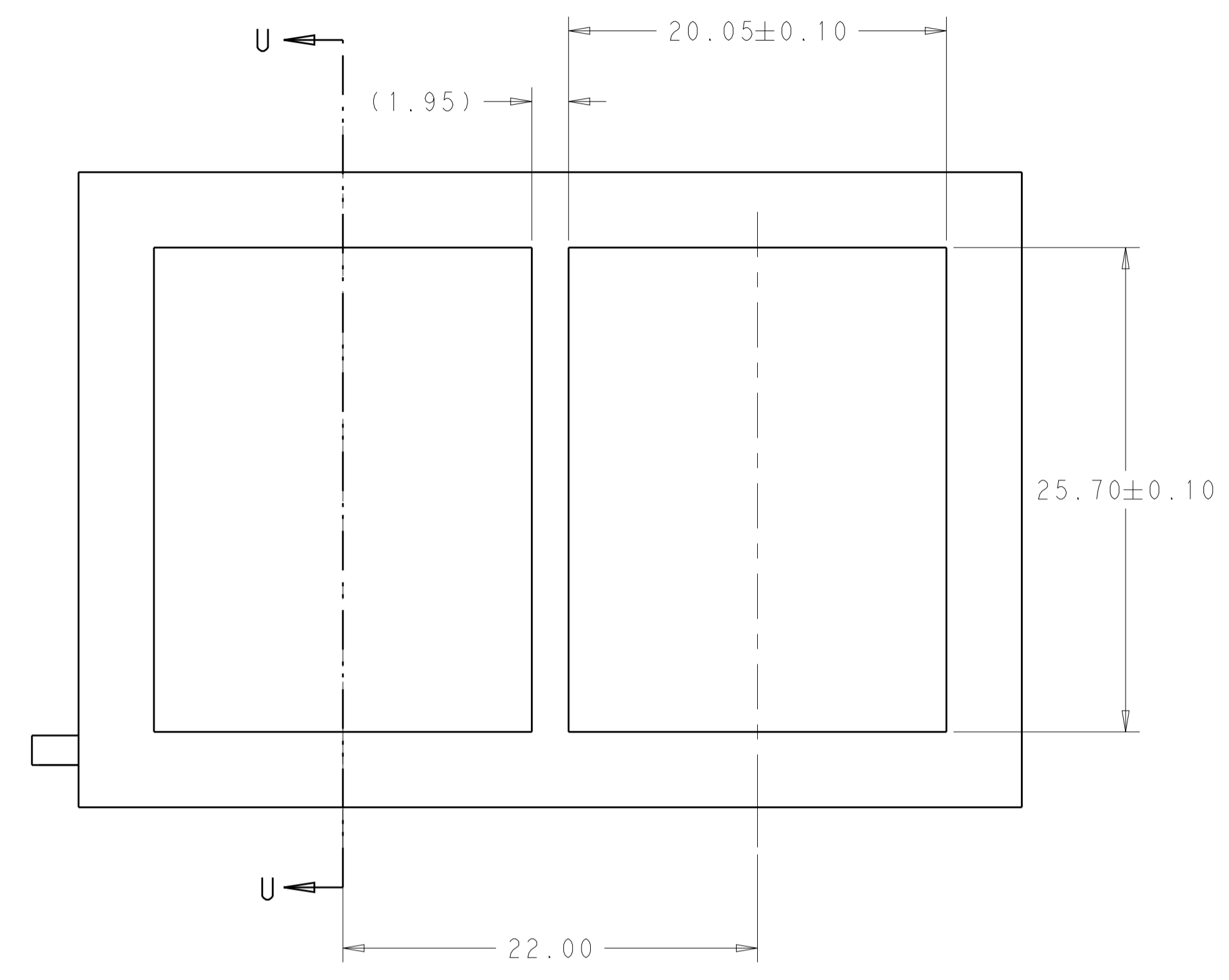
2-2227669-0
 LEFT INDICATOR UP
 SCALE 4:1



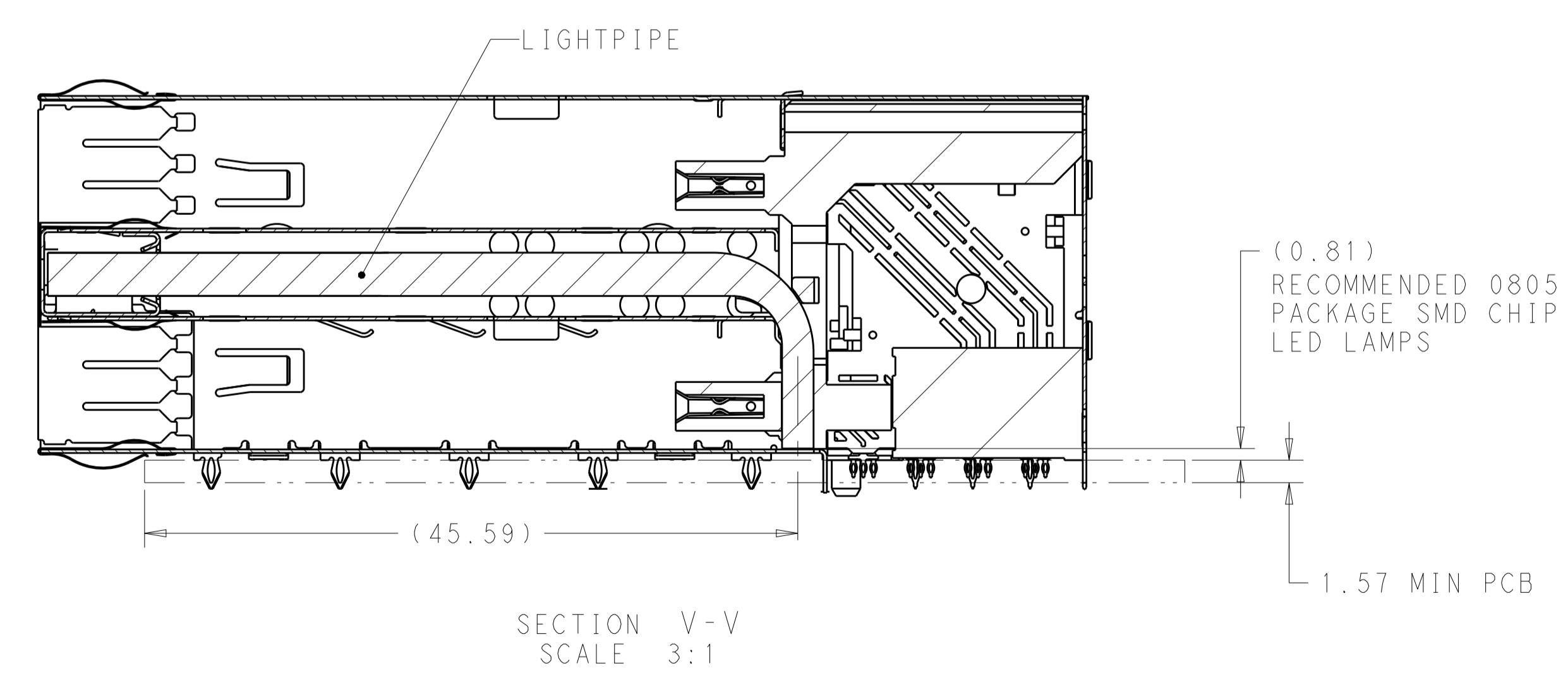
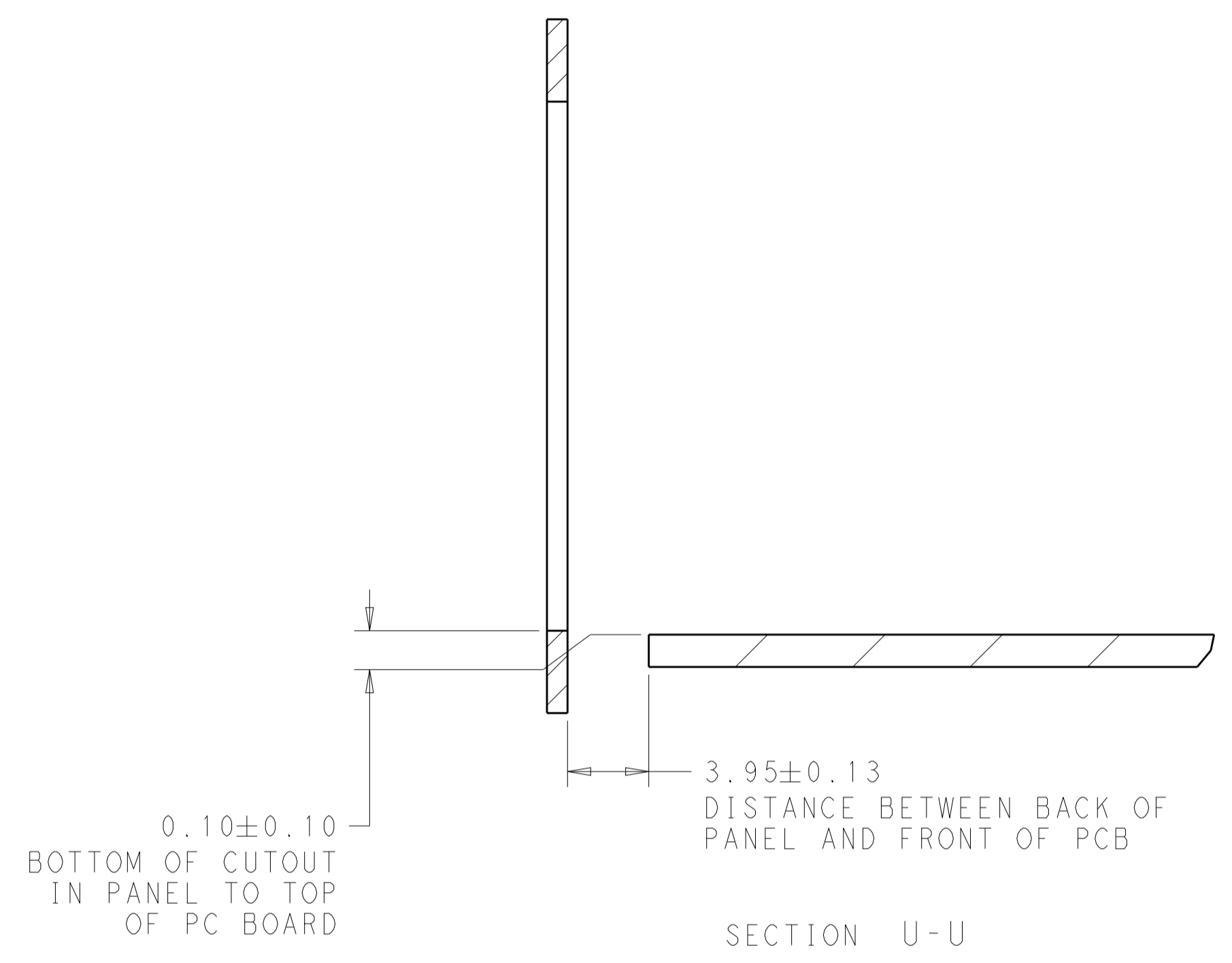
2-2227669-0
 SCALE 2:1

| | | | |
|--|--|-----------------------------|---|
| THIS DRAWING IS A CONTROLLED DOCUMENT. | | OWN: M. SHIRK 16JAN2013 | TE Connectivity |
| DIMENSIONS: mm | | CHK: D. SZCZESNY 16JAN2013 | |
| TOLERANCES UNLESS OTHERWISE SPECIFIED: | | APVD: - | NAME: CAGE AND CONNECTOR ASSEMBLY, WITH EMI SPRING FINGERS, THRU BEZEL, 2X1, ZOSFP+ STACKED |
| 0 PLC ± | | PRODUCT SPEC: 108-60102 | SIZE: A1 |
| 1 PLC ±0.25 | | APPLICATION SPEC: 114-60015 | CAGE CODE: 00779 |
| 2 PLC ±0.15 | | WEIGHT: - | DRAWING NO: 2227669 |
| 3 PLC ± | | CUSTOMER DRAWING | SCALE: 4:1 |
| 4 PLC ± | | | SHEET 2 OF 6 |
| ANGLES ± | | | REV B |
| FINISH: - | | | |
| SEE NOTE 1 | | | |

| LOC | DIST | REVISIONS | | | | | |
|-----|------|-----------|-----|-------------|------|-----|------|
| GP | 00 | P | LTN | DESCRIPTION | DATE | DWN | APVD |
| | | - | | SEE SHEET 1 | | - | - |
| | | | | | | | |
| | | | | | | | |

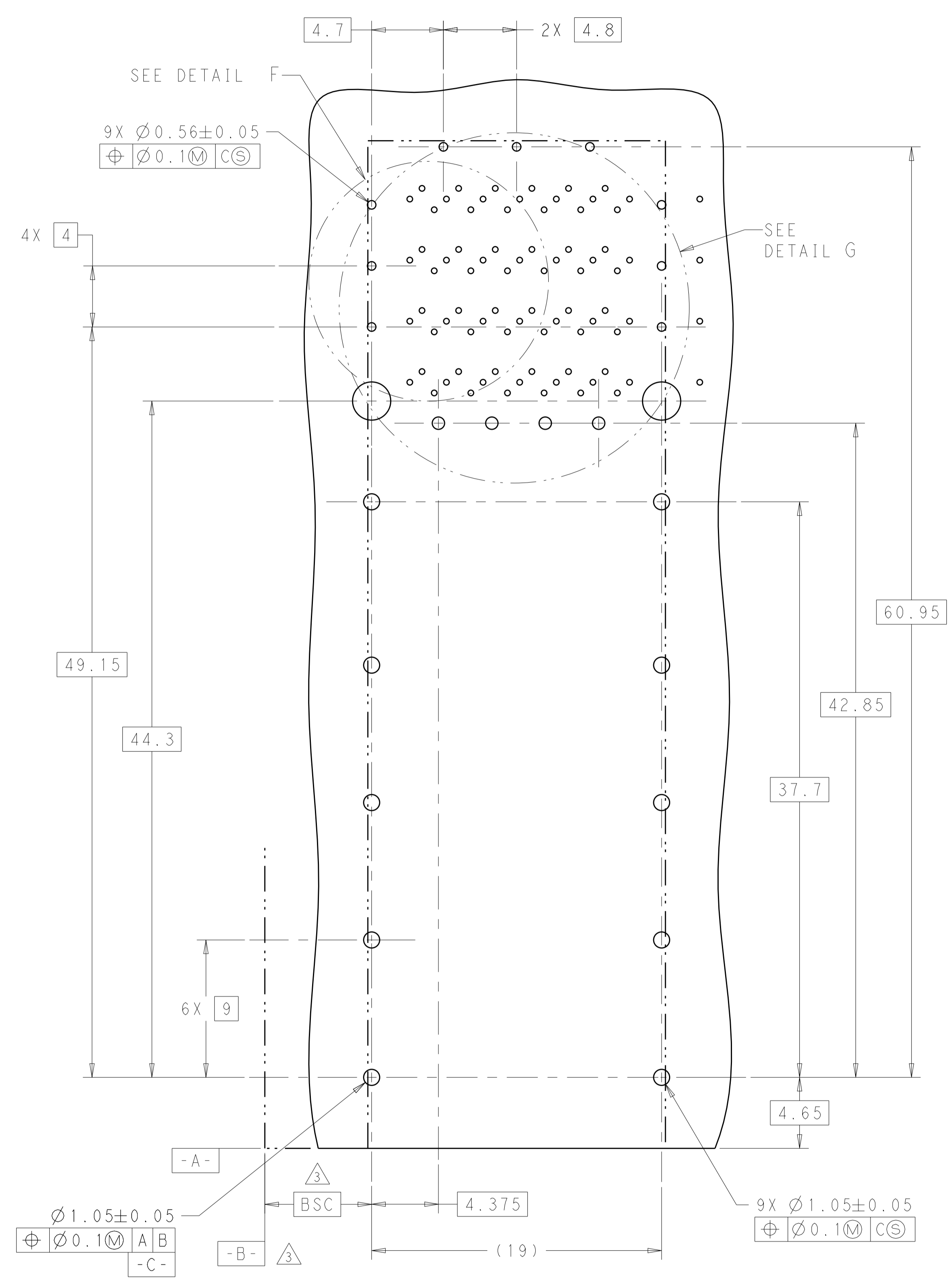


RECOMMENDED PANEL CUTOUT
 AND PC BOARD, PANEL POSITION

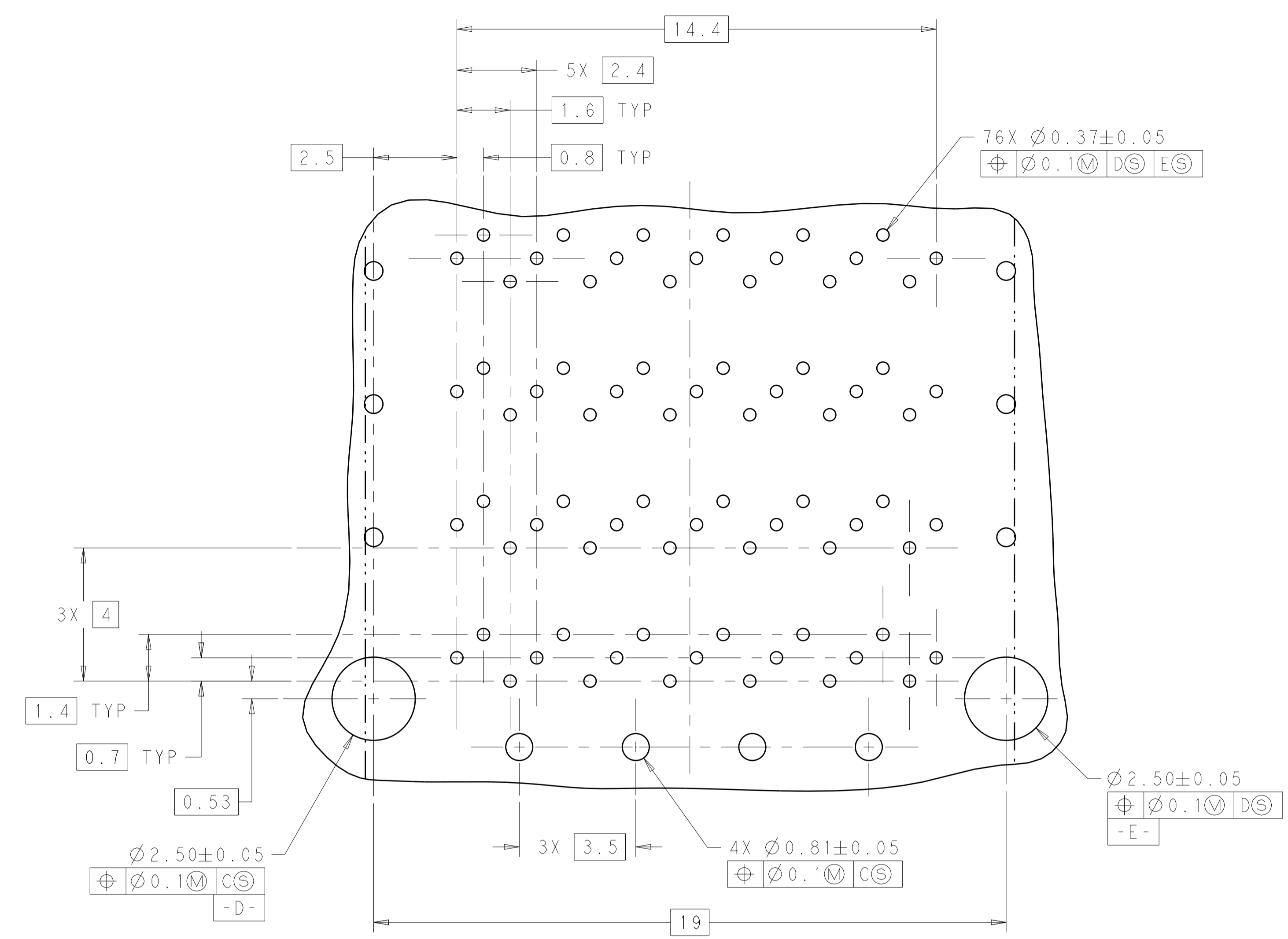


| | | | | |
|--|---|-----------------------------------|--|------------------------------|
| THIS DRAWING IS A CONTROLLED DOCUMENT. | | DWN M. SHIRK 16 JAN 2013 | TE Connectivity | |
| DIMENSIONS: | | CHK D. SZCZESNY 16 JAN 2013 | NAME CAGE AND PART NUMBER OBSOLETE WITH EMIEBPSRNGINGERSHRDHDZBEZE2X1, ZQSE@SFBTASR0KED | |
| mm | TOLERANCES UNLESS OTHERWISE SPECIFIED: | APVD - | PRODUCT SPEC 108-60102 | RESTRICTED TO |
| | 0 PLC ± 1 PLC ±0.25 2 PLC ±0.15 3 PLC ± 4 PLC ± | APPLICATION SPEC 114-60015 | SIZE A100779C=2227669 | |
| MATERIAL | FINISH | WEIGHT | CUSTOMER DRAWING | SCALE 4:1 SHEET 3 OF 6 REV B |
| SEE NOTE 1 | | | | |

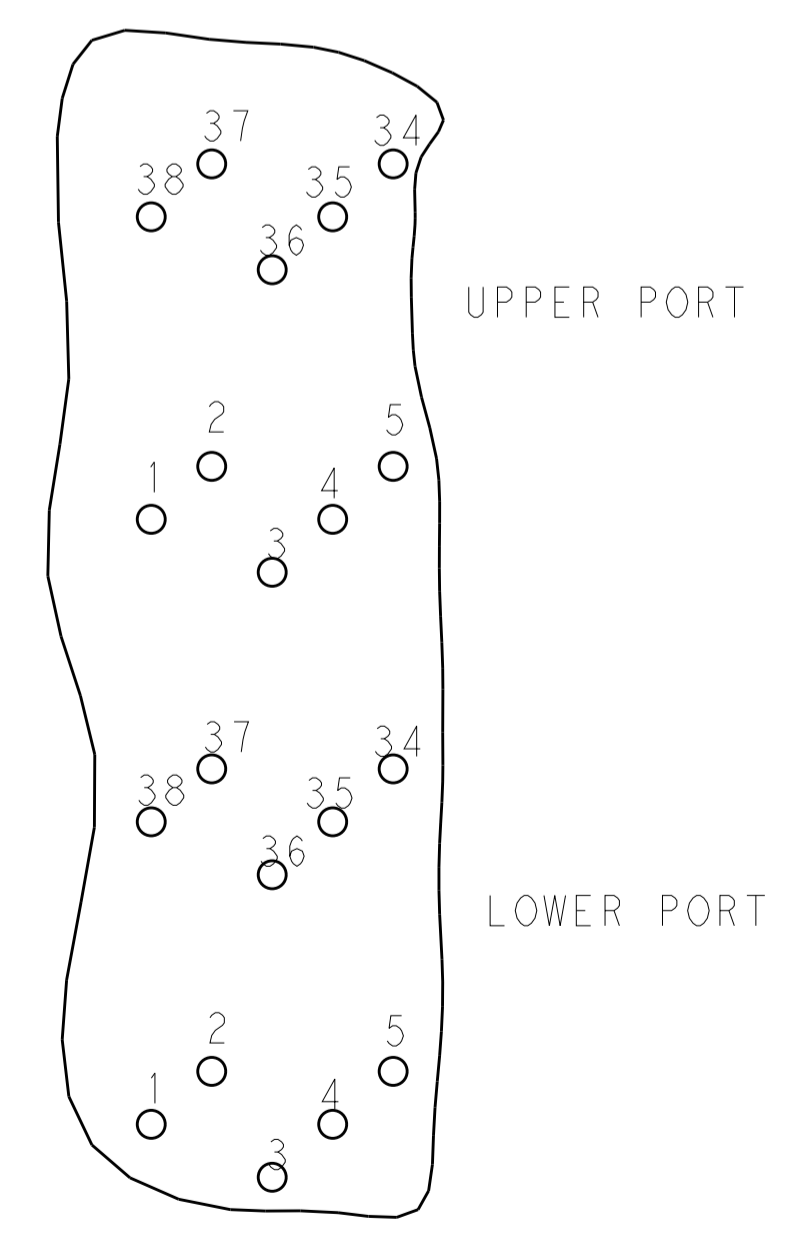
| LOC | DIST | REVISIONS | | | |
|-----|------|-----------|-------------|----|------|
| GP | 00 | REV | DATE | BY | APVD |
| | | - | SEE SHEET 1 | - | - |



RECOMMENDED PC BOARD LAYOUT
 COMPONENT SIDE OF BOARD
 SCALE 5:1
 (PCB TOLERANCE: ±0.05)



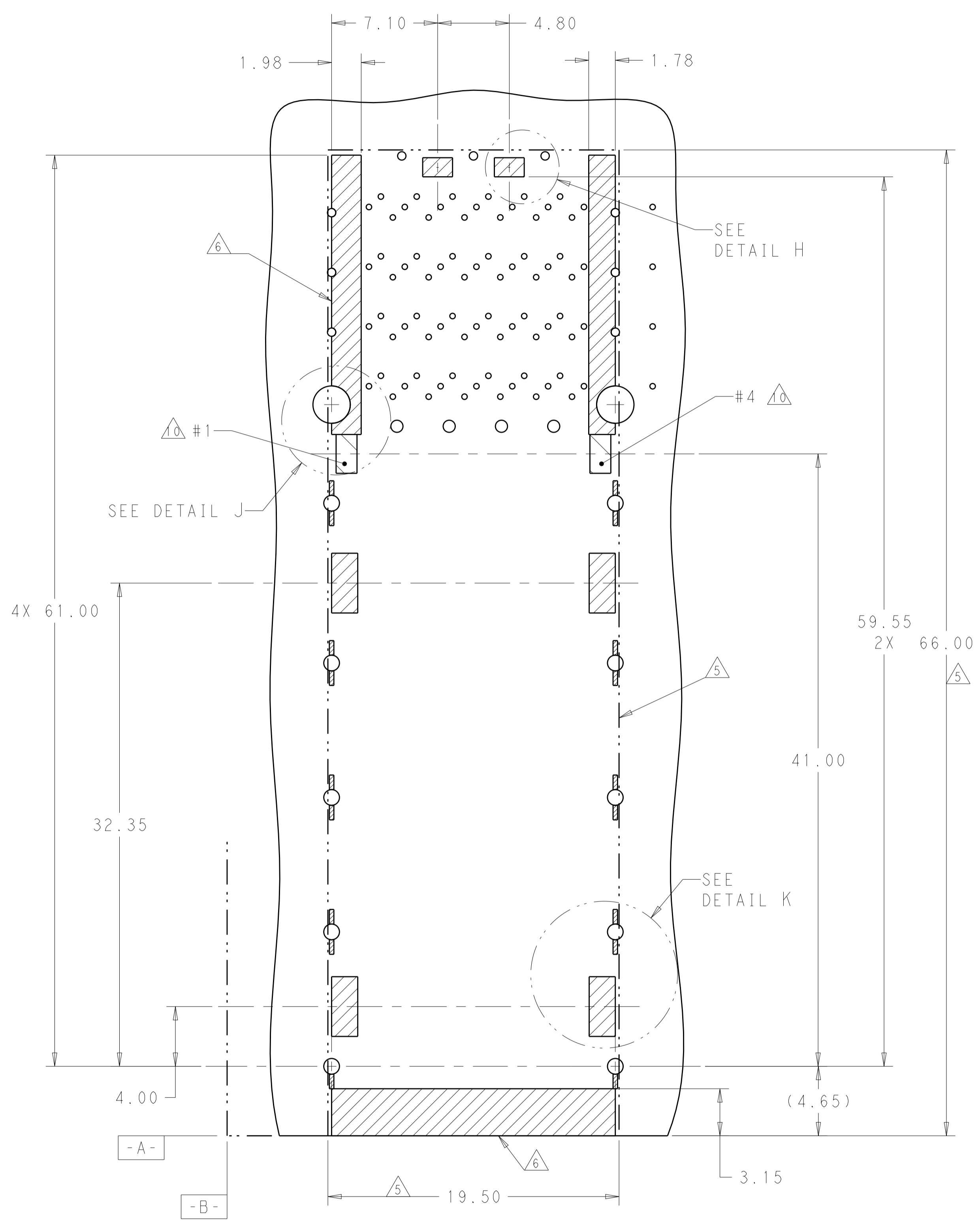
DETAIL G
 SCALE 10:1



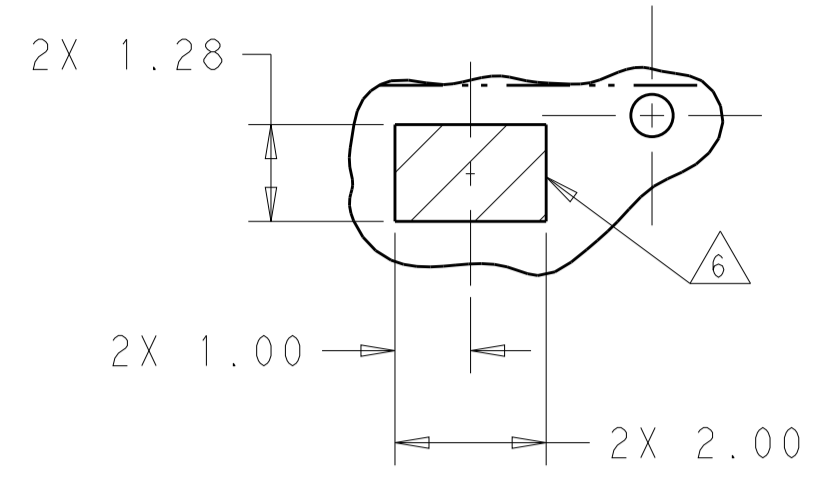
DETAIL F
 SCALE 10:1
 PIN ASSIGNMENTS

| | | | |
|--|-------------|-----------------------------|---|
| THIS DRAWING IS A CONTROLLED DOCUMENT. | | OWN: M. SHIRK 16JAN2013 | TE Connectivity |
| DIMENSIONS: mm | | CHK: D. SZCZESNY 16JAN2013 | |
| TOLERANCES UNLESS OTHERWISE SPECIFIED: | | APVD: - | NAME: CAGE AND STANDARD NOT OBSERVED WITH |
| 0 PLC ±0.25 | 1 PLC ±0.15 | PRODUCT SPEC: 108-60102 | EMITTERS AND SENSORS HARDWARE 12X1 |
| 2 PLC ±0.15 | 3 PLC ±0.15 | APPLICATION SPEC: 114-60015 | ZOSEFBTASR0KED |
| 4 PLC ±0.15 | ANGLES ±0.1 | SIZE: A1 | CAGE CODE: 00779 |
| MATERIAL: SEE NOTE 1 | FINISH: - | WEIGHT: - | DRAWING NO: C=2227669 |
| | | CUSTOMER DRAWING | RESTRICTED TO: - |
| | | SCALE: 4:1 | SHEET 4 OF 6 |
| | | | REV: B |

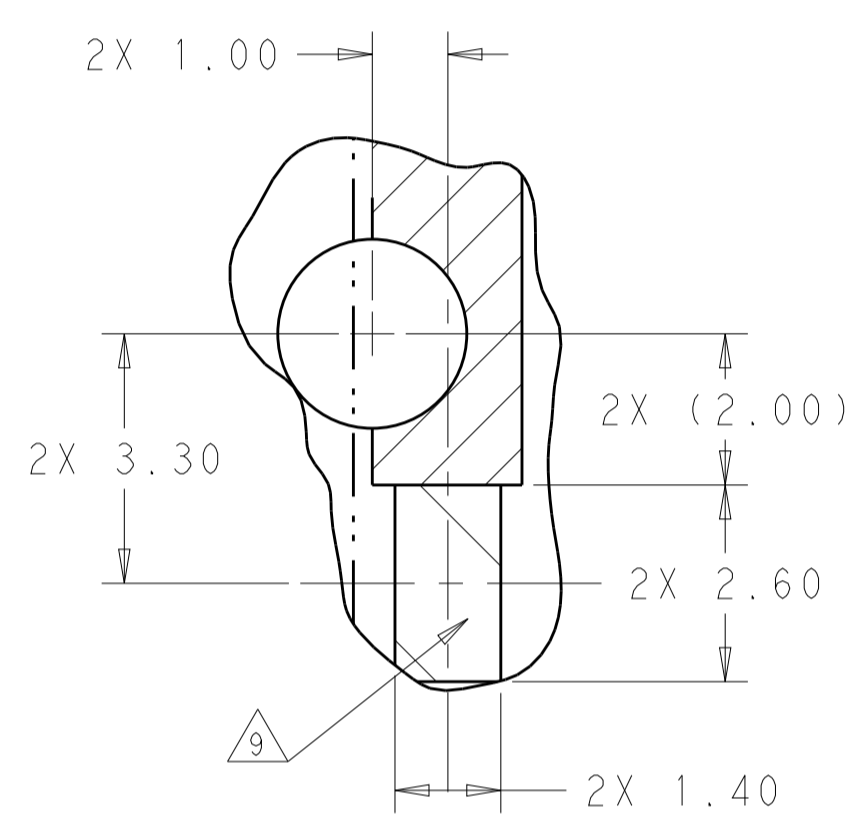
| LOC | DIST | REVISIONS | | | |
|-----|------|-------------|------|-----|------|
| P | LTN | DESCRIPTION | DATE | DMN | APVD |
| - | - | SEE SHEET 1 | - | - | - |
| | | | | | |
| | | | | | |



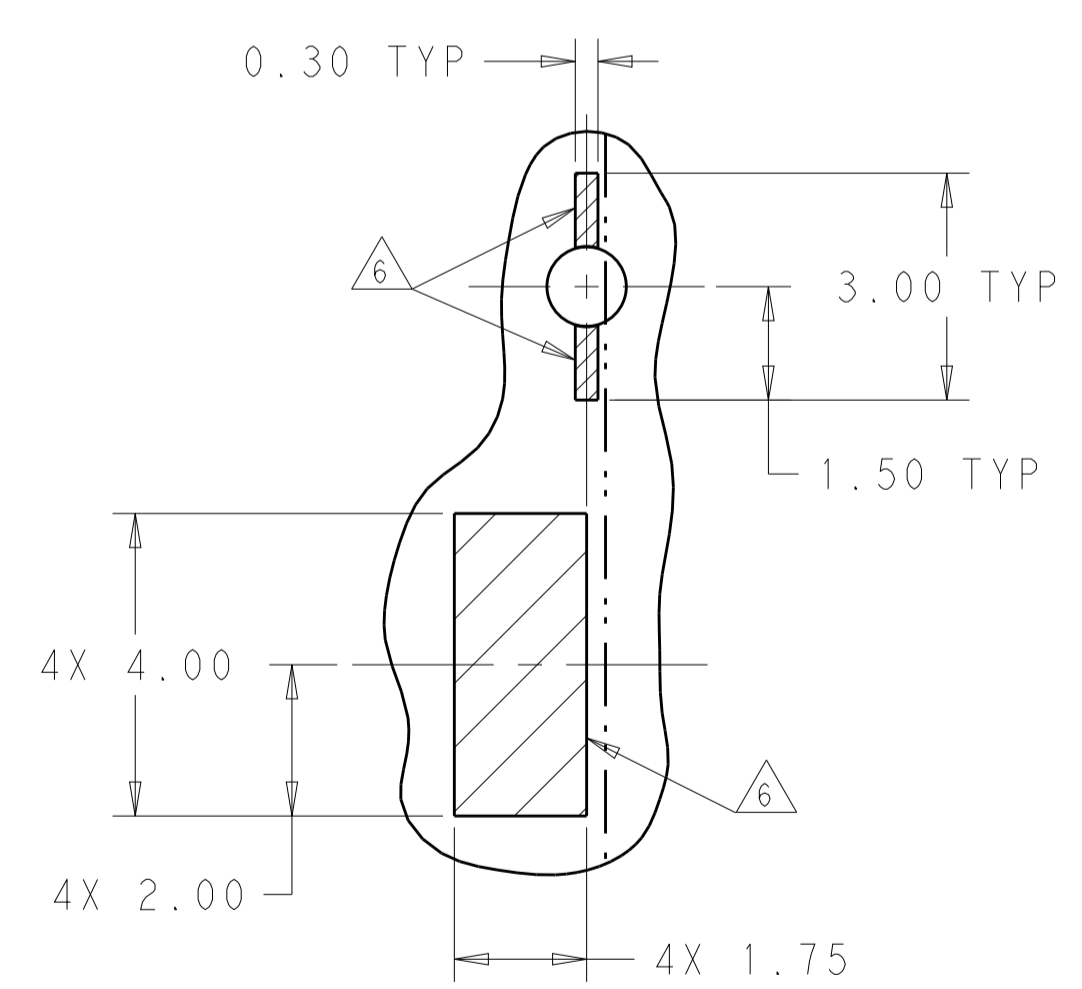
KEEPOUT AREAS FOR 2LP APPLICATION
 COMPONENT SIDE OF BOARD
 SCALE 5:1



DETAIL H
 SCALE 10:1



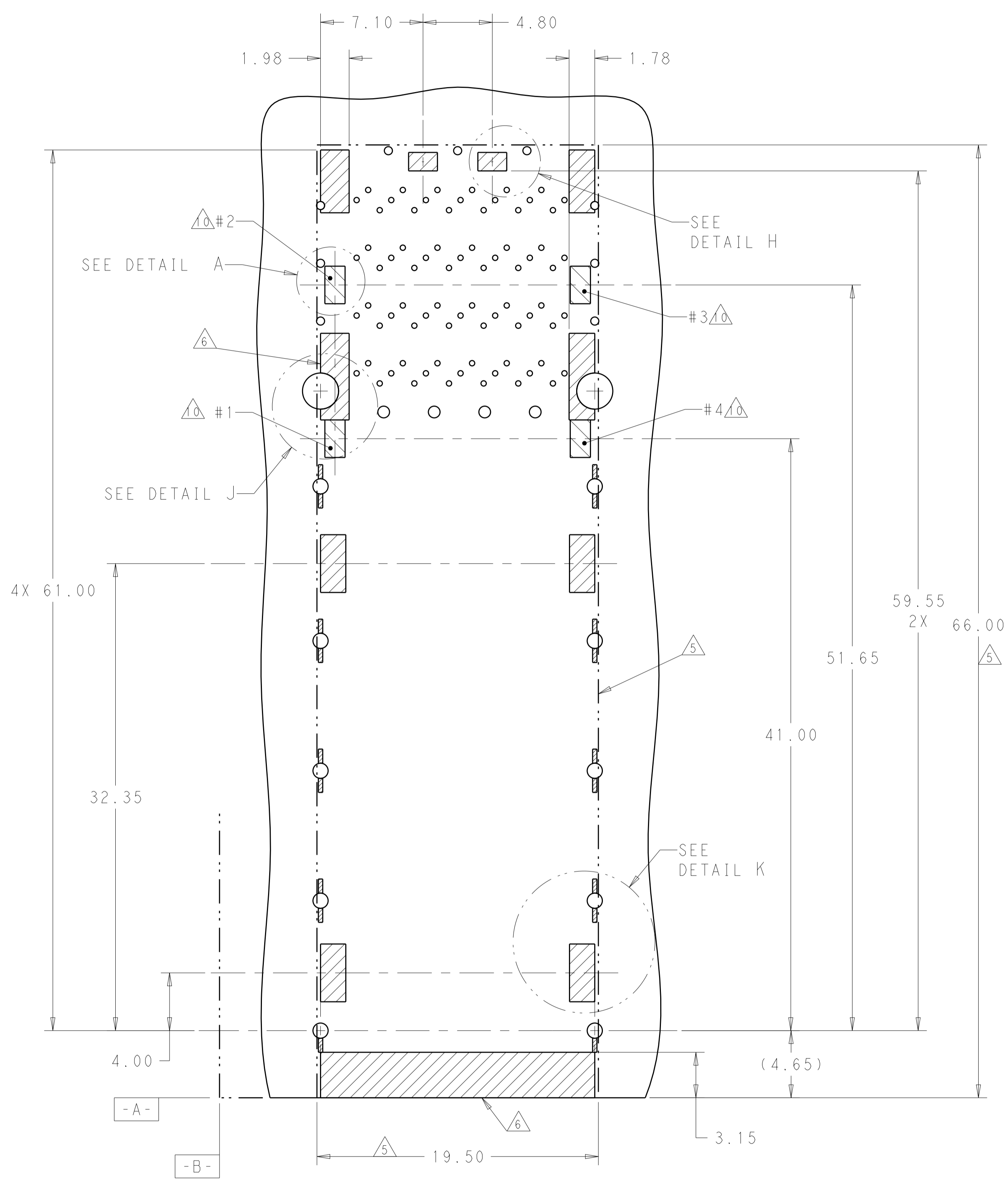
DETAIL J
 LED PADS
 SCALE 10:1



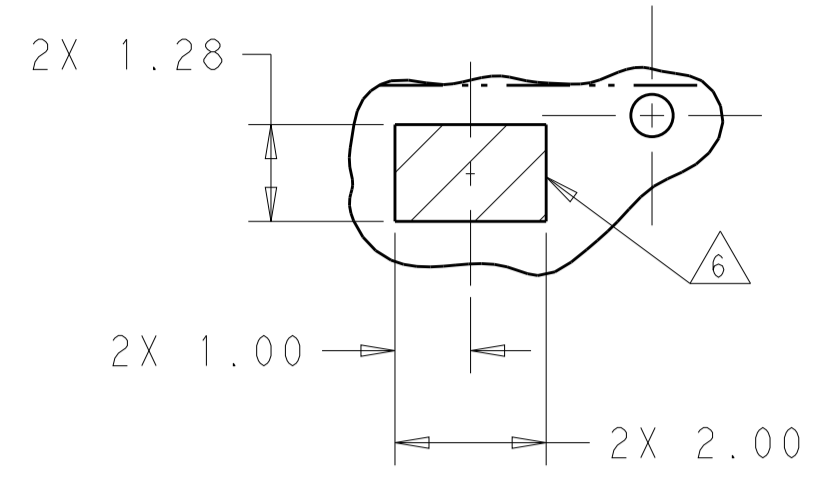
DETAIL K
 SCALE 10:1

| | | | |
|--|--------------|----------------------------|----------------------------------|
| THIS DRAWING IS A CONTROLLED DOCUMENT. | | DMN M. SHIRK 16JAN2013 | TE Connectivity |
| DIMENSIONS: mm | | CHK D. SZCZESNY 16JAN2013 | |
| TOLERANCES UNLESS OTHERWISE SPECIFIED: | | APVD - | NAME CAGE AND PART NUMBER |
| 0 PLC ±0.25 | 1 PLC ±0.15 | PRODUCT SPEC 108-60102 | EMIEBPR3BNINGNGERS3HRDHBZBEZE2X1 |
| 2 PLC ±0.15 | 3 PLC ±0.15 | APPLICATION SPEC 114-60015 | ZQSF BTAS KOKED |
| 4 PLC ±0.15 | ANGLES ±0.15 | SIZE CAGE CODE DRAWING NO | RESTRICTED TO |
| MATERIAL | FINISH | WEIGHT | A100779C=2227669 |
| SEE NOTE 1 | | CUSTOMER DRAWING | SCALE 4:1 SHEET 5 OF 6 REV B |

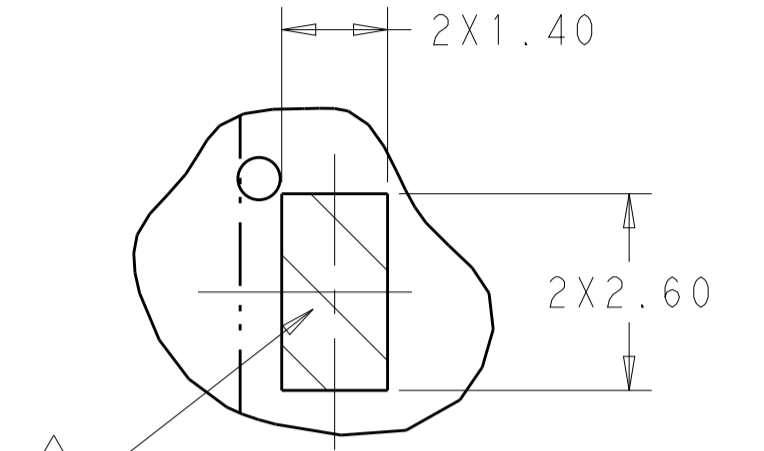
| LOC | | DIST | | REVISIONS | | | | |
|-----|----|------|------|-------------|------|----|------|--|
| GP | 00 | REV | DATE | DESCRIPTION | DATE | BY | APPD | |
| | | - | | SEE SHEET 1 | | | | |



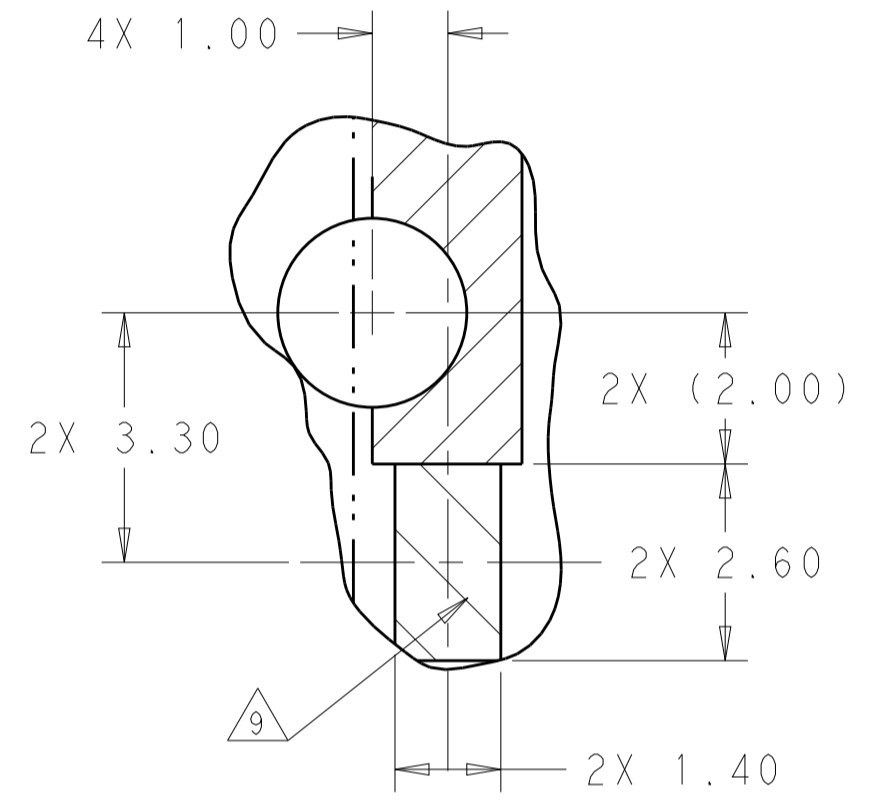
KEEPOUT AREAS FOR 4 LP APPLICATION
 COMPONENT SIDE OF BOARD
 SCALE 5:1



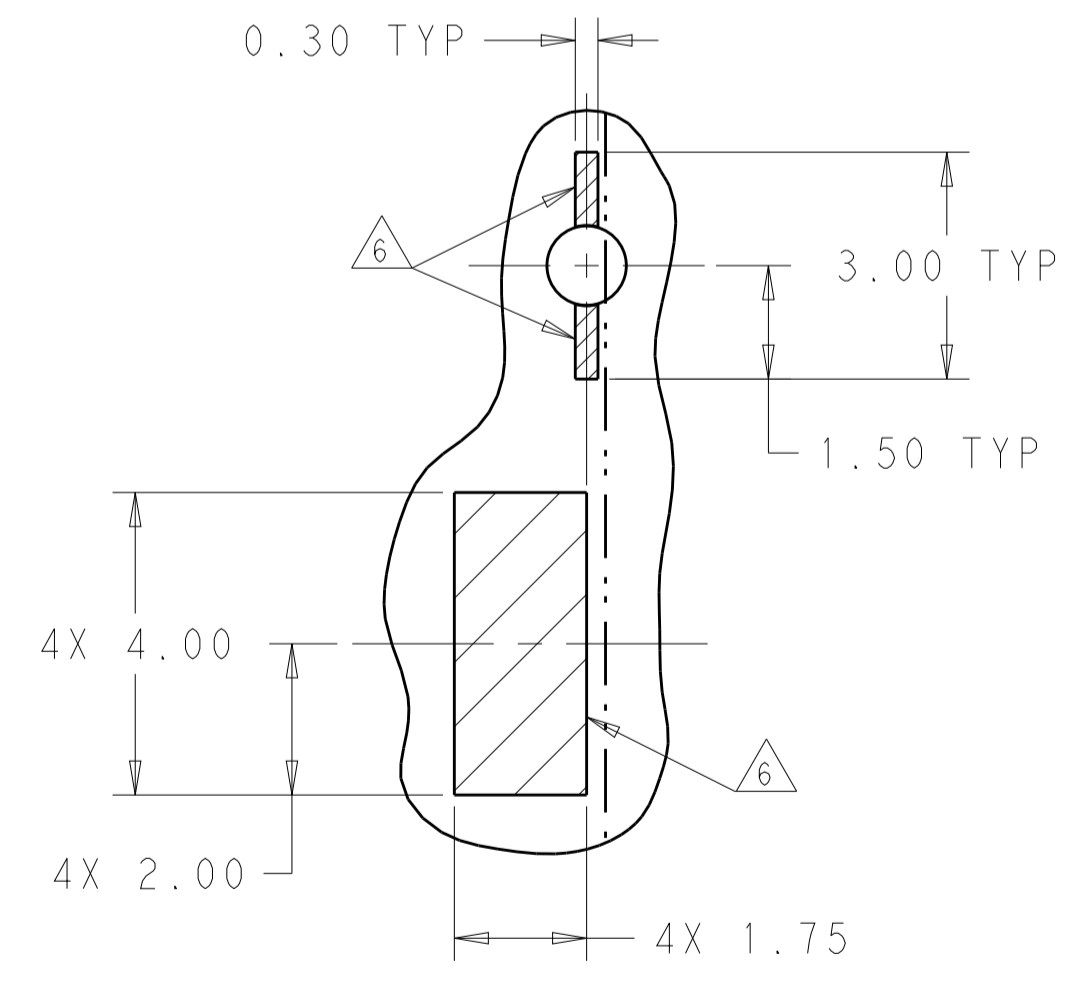
DETAIL H
 SCALE 10:1



DETAIL A
 SCALE 10:1



DETAIL J
 LED PADS
 SCALE 10:1



DETAIL K
 SCALE 10:1

| | | | |
|--|-------------|---------------------------------|--|
| THIS DRAWING IS A CONTROLLED DOCUMENT. | | DWN M. SHIRK 16JAN2013 | TE Connectivity NAME CAGE AND PART NUMBER EM18P3R3NG1NGN8RS3HRD88Z8E2X12X1 ZQSF8FBTASR0KED |
| DIMENSIONS: mm | | CHK D. SZCZESNY 16JAN2013 | |
| TOLERANCES UNLESS OTHERWISE SPECIFIED: | | APVD | RESTRICTED TO |
| 0 PLC ±0.25 | 1 PLC ±0.15 | PRODUCT SPEC 108-60102 | SIZE A100779C=2227669 |
| 2 PLC ± | 3 PLC ± | APPLICATION SPEC | SCALE 4:1 SHEET 6 OF 6 REV B |
| 4 PLC ± | ANGLES ± | MATERIAL FINISH | CUSTOMER DRAWING |
| SEE NOTE 1 | | WEIGHT | |