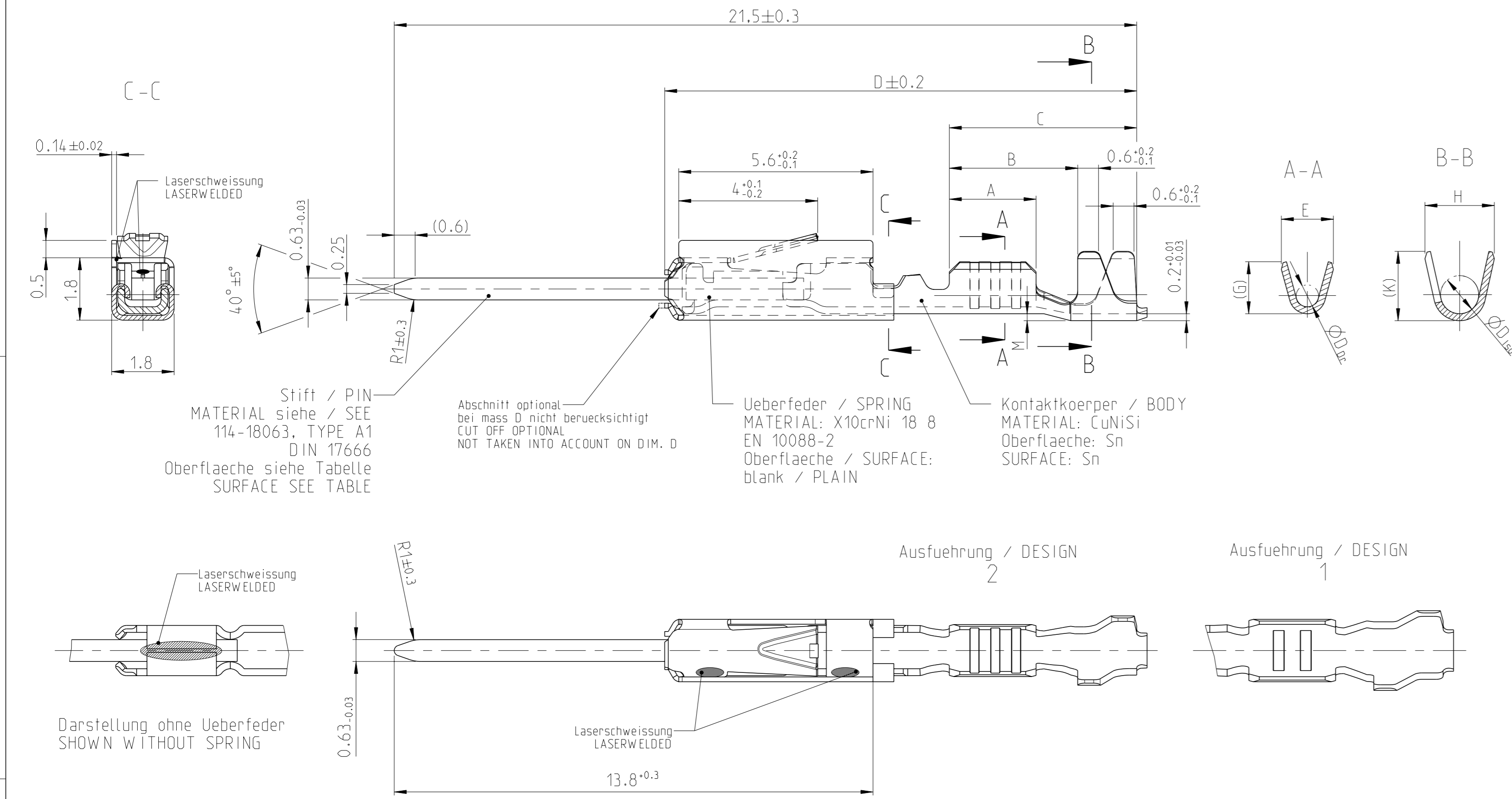


Normale Anwendung
 USUAL APPLICATION



5-965908-3	A			ja / YES
5-965908-2	F	965908-2	E	ja / YES
5-965908-1	D	965908-1	C	ja / YES
-	-	1-962886-1	N	nein / NO
5-962886-3	A			ja / YES
5-962886-2	R	962886-2	M	ja / YES
5-962886-1	N	962886-1	M	ja / YES
214-1830-3	A			ja / YES
214-1830-2	A			ja / YES
214-1830-1	A			ja / YES
6-963716-2	A			nein / NO
6-963716-1	A			nein / NO
-	-	1-963716-2	B	nein / NO
5-963716-3	A			ja / YES
5-963716-2	Z	963716-2	Y	ja / YES
5-963716-1	W	963716-1	V	ja / YES
6-928918-3	Z			ja / YES
6-928918-2	A	1-928918-2	Y	ja / YES
6-928918-1	W	1-928918-1	V	ja / YES
5-928918-2	A	928918-2	Y	nein / NO
5-928918-1	W	928918-1	V	nein / NO
214-1828-3	A			ja / YES
214-1828-2	A			ja / YES
214-1828-1	A			ja / YES
1355719-3 (C25)	A			ja / YES
1355719-2	C			ja / YES
1355719-1	C			ja / YES

Einzelichtungssystem SINGLE WIRE SEAL SYSTEM	0.50-0.75	Ag	A = 2.8 B = 4.2 C = 6.2 D = 14.3 M = 0.7	E = 2 G = 2.1 D _{Dr} = 1	H = 3.5 K = 3.4 L = 1.5 N = 2.4 D _{ISO} = 2.4	0.18	114-18025	0.75	1.4-1.9	967067-1 gruen GREEN	963142-1 schwarz BLACK	963143-1 weiss / WHITE	
		Au											0.12
		Sn											
	0.25-0.35	Ag	A = 2.5 B = 3.5 C = 5.9 D = 14 M = 0.7	E = 1.8 G = 1.8 D _{Dr} = 0.8	H = 3.5 K = 3.4 L = 1.5 N = 2.4 D _{ISO} = 2.4	0.16							
		Au						0.15					
		Sn											
	0.13-0.17	Ag	A = 2.5 B = 4 C = 5.9 D = 13.9 M = 0.6	E = 1.5 G = 1.4	H = 4 K = 3.9 L = 3.1 N = 2.6 D _{ISO} = 2.6	0.15							
		Au						0.17					
		Sn											
	0.50-0.75	Au	A = 2.8 B = 3.8 C = 5.6 D = 13.65 M = 0.2	E = 2 G = 2.1 D _{Dr} = 1	H = 2.7 K = 2.9 L = 0.7 N = 1.6 D _{ISO} = 1.6	0.12							
		Ag						0.17					
		Au											
0.25-0.35	Ag	A = 2.5 B = 3.6 C = 5.6 D = 13.65 M = 0.2	E = 1.8 G = 1.8 D _{Dr} = 0.8	H = 2.3 K = 2.3 L = 0.6 N = 1.4 D _{ISO} = 1.4	0.16								
	Au					0.12							
	Sn												
0.13-0.17	Ag	A = 2.5 B = 3.7 C = 5.4 D = 13.65 M = 0	E = 1.5 G = 1.4	H = 2 K = 1.9 L = 1.1 D _{ISO} = 1.1	0.15								
	Au					0.15							
	Sn												
0.08-0.22	Au		E = 1.5 G = 1.5 D _{Dr} = 0.65	H = 2 K = 2 L = 1.1 D _{ISO} = 1.1	0.15								
	Sn					0.15							
	CuNiSi												

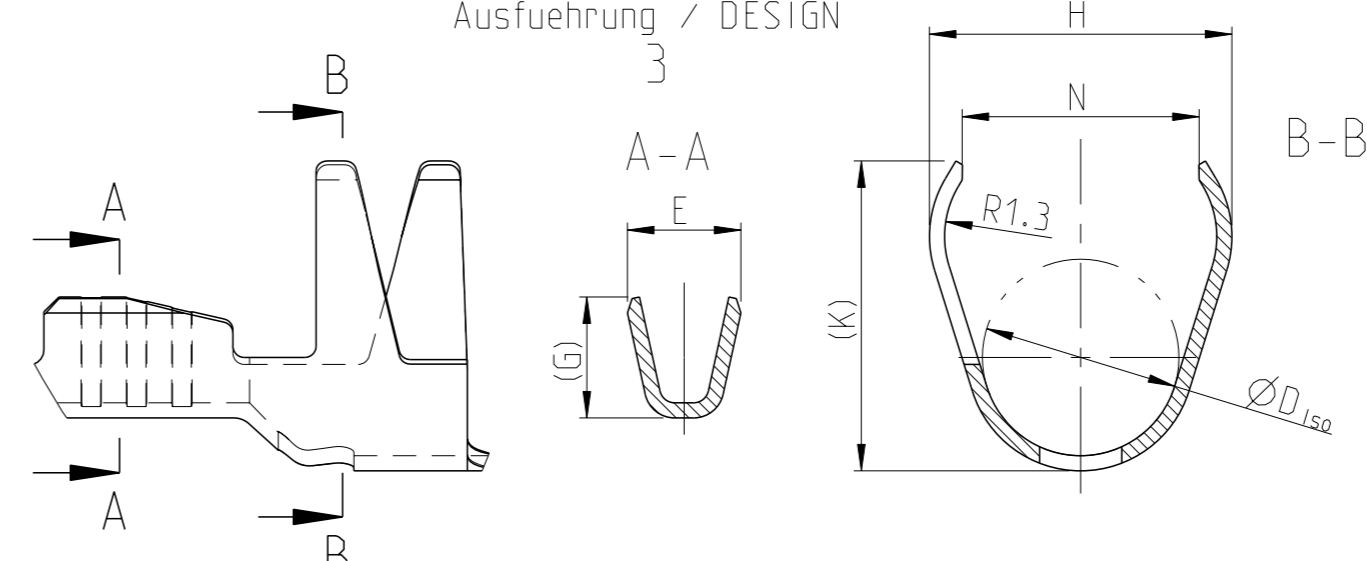
Verarbeitung Spez. APPLICATION SPEC.	DGB Wire Size Range mm ²	Oberflaeche SURFACE	Laenge LENGTH mm	Drahtcrimp WIRE CRIMP mm	Iso-crimp INSU-CRIMP mm	Gewicht WEIGHT g	fuer Kammer Ø3.45 FOR CAVITY DIA. 3.45 mm	Blindstopfen RUBBER PLUG	fuer Kammer Ø4 FOR CAVITY DIA. 4 mm	Blindstopfen RUBBER PLUG
zugehoerige Einzelichtung / SUITABLE SINGLE WIRE SEAL										

Bestell-Nr. Ausfuhrung ORDER NO. DESIGN 2	Bestell-Nr. Ausfuhrung ORDER NO. DESIGN 3	Rev.	Bestell-Nr. Ausfuhrung ORDER NO. DESIGN 1	Rev.	Ueberfeder vorhanden SPRING AVAILABLE	VERSION	DGB Wire Size Range mm ²	Oberflaeche SURFACE	Laenge LENGTH mm	Drahtcrimp WIRE CRIMP mm	Iso-crimp INSU-CRIMP mm	Gewicht WEIGHT g	fuer Kammer Ø3.45 FOR CAVITY DIA. 3.45 mm	Blindstopfen RUBBER PLUG	fuer Kammer Ø4 FOR CAVITY DIA. 4 mm	Blindstopfen RUBBER PLUG
---	---	------	---	------	--	---------	--	------------------------	------------------------	--------------------------------	-------------------------------	------------------------	---	-----------------------------	---	-----------------------------

Ausfuhrung / DESIGN
3

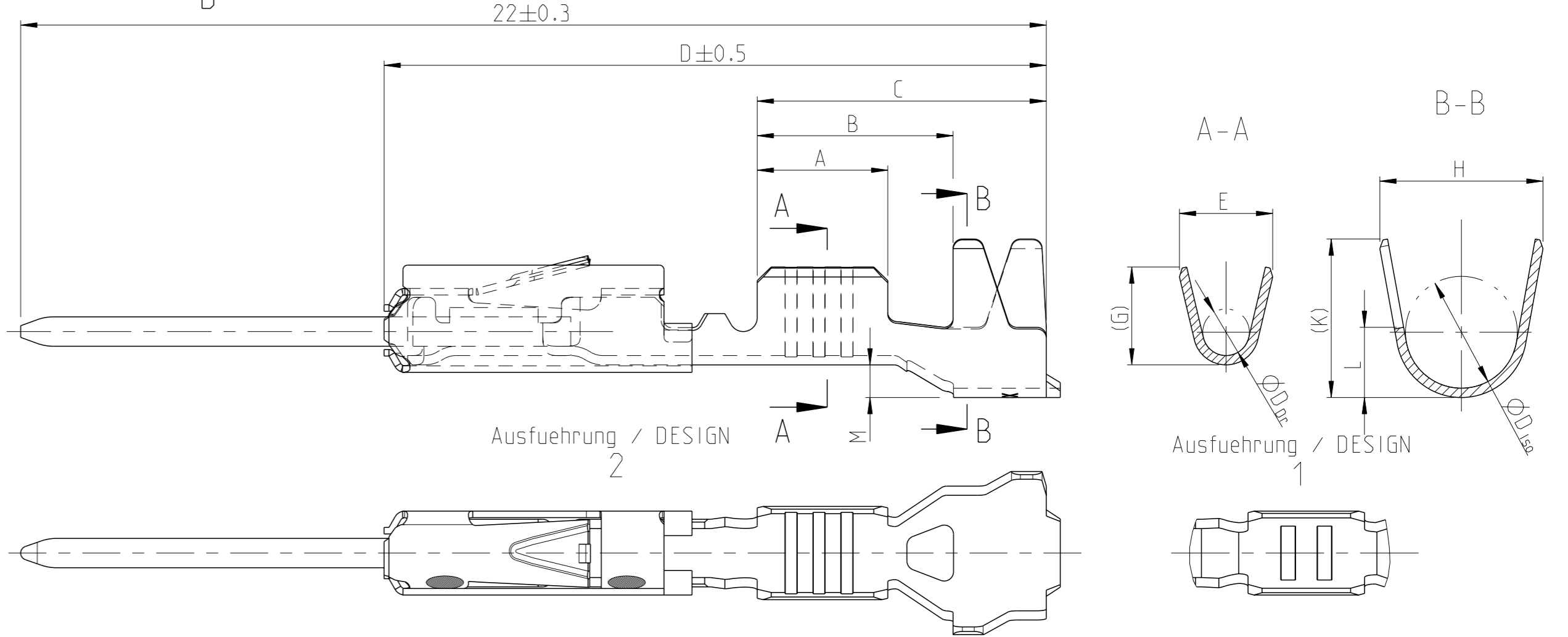


Ausfuhrung / DESIGN
3

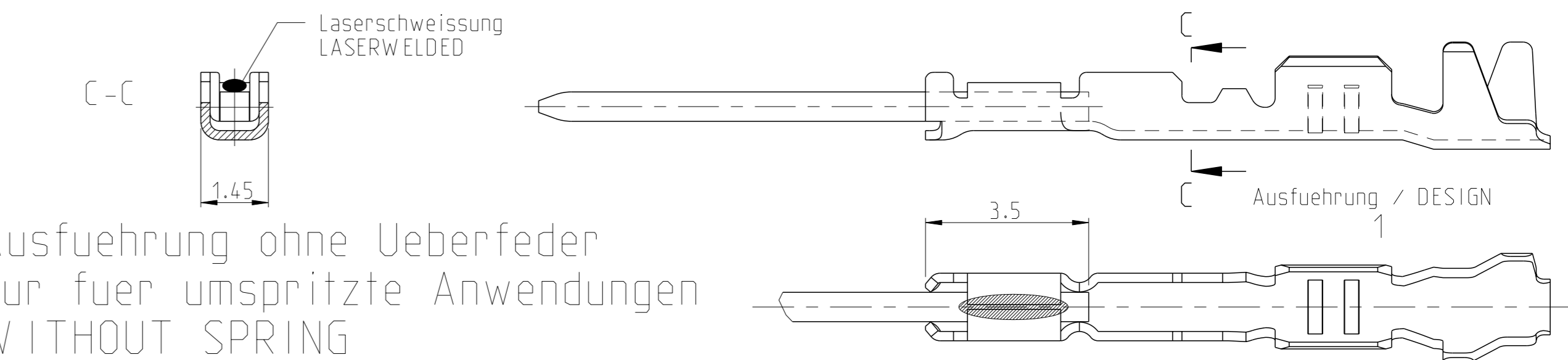


REVISIONS				
NO.	DATE	DESCRIPTION	BY	APPV.
C22	03MAY2016	GOLD VARIANT UPDATE	Ho.	Brun
C23	21FEB2017	NOTE 6 REMOVED IN TABLE AT WIRE SIZE 0.25-0.35	MAH.	Brun
C24	18SEP2017	PN 5-962886-3, 5-965908-3 added	BREN	STOT
C25	29NOV2018	New PN 1355719-3 added	FRAN	BERG

Einzelichtungssystem
 SINGLE WIRE SEAL SYSTEM

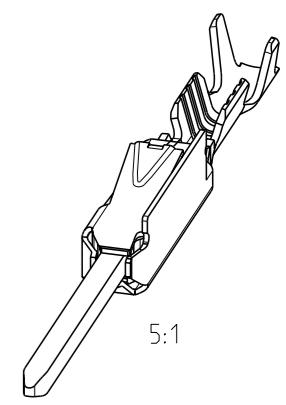
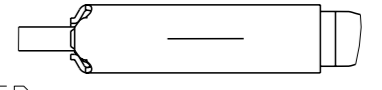


Ausfuhrung ohne Ueberfeder
 nur fuer umspritzte Anwendungen
 WITHOUT SPRING
 ONLY FOR OVERMOLDING



NOTES

- Bemerkungen
- Datumscode (woche/Jahr z.B. KW 38/Jahr2009) und TE-Revision (z.B. Rev.A) DATE CODE (WEEK/YEAR E.G. WEEK NUMBER 38/YEAR2009) AND TE REVISION (E.G. REV. A)
 - Passend zu Buchsenkontakt siehe Zeichnung 929454 SUITABLE FOR SOCKET CONTACT SEE DRAWING 929454
 - Einzelheiten der Ausfuhrung bleiben dem Hersteller ueberlassen DETAILS OF DESIGN ARE LEFT TO MANUFACTURER
 - Nur fuer FLR-Leitung nach DIN 72551 Teil 6 FOR FLR-CONDUCTOR ACCORDING TO DIN 72551-6 ONLY
 - nicht fuer Neuanwendung NOT FOR NEW APPLICATION
 - zugverstaerkte Leitung nach LV 112-4 REINFORCED WIRE ACCORDING LV 112-4
 - Bei doppelt fallenden Werkzeugen wird die erste Ueberfeder mit einer Kennzeichnung "-" versehen WITH DOUBLE OUT DIES THE FIRST SPRING WILL BE PROVIDED WITH AN INDICATION "-"



THIS DRAWING IS A CONTROLLED DOCUMENT.		OWN S.Garcia 06JAN1999	TE Connectivity	
DIMENSIONS: mm		CHK R.Jetter 06JAN1999	NAME	
TOLERANCES UNLESS OTHERWISE SPECIFIED:		APPV M.Bleicher 13AUG2003	MGS	
1-PLC ±		108-18030		
2-PLC ±		APPLICATION SPEC		
3-PLC ±		114-18021 / -18025		
4-PLC ±		WEIGHT		
ANGLES ±		114-18021 / -18025		
FINISH		CUSTOMER DRAWING		
MATERIAL		SCALE 10:1		
REV. 2		SHEET 1 of 1		
REV. 3		REV. C25		