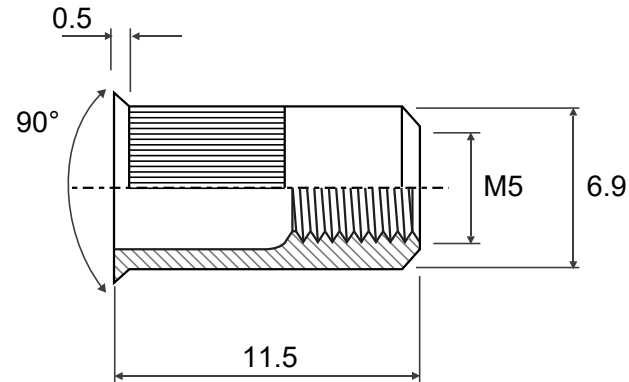


Approximate Performance in Laboratory Tests  
 Tensile Strength: 11500 N  
 Direct Torque: 6 Nm  
 Body Torque: 1.5 Nm  
 Shear Strength: 2000 N



	Material		Customer Part No.	
	Finish		Web Ref No	