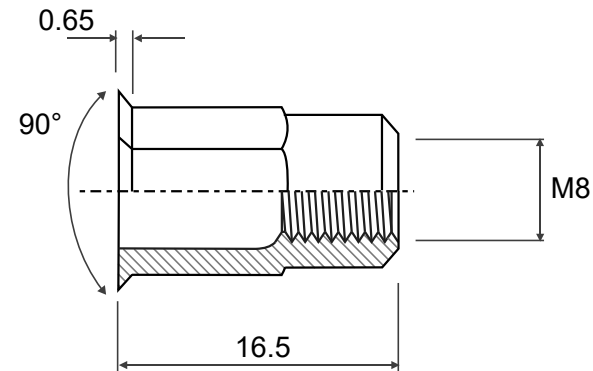
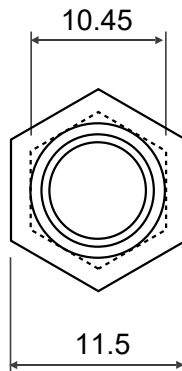
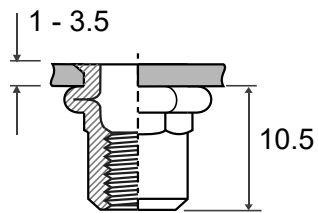


Approximate Performance in Laboratory Tests

Direct Torque: 20 Nm  
Tensile Strength: 25000 N  
Shear Strength: 4400 N



	Material		Customer Part No.	
	Finish		Web Ref No	