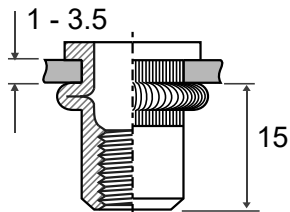
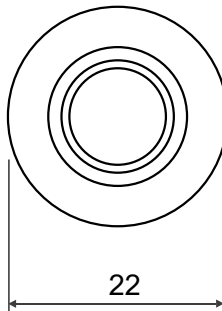


16 - 16.1



1 - 3.5

15



22

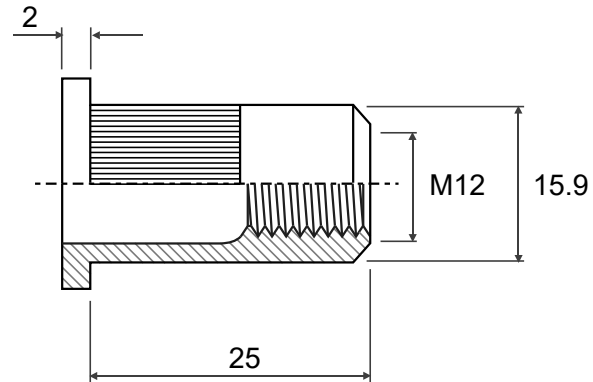
Approximate Performance in Laboratory Tests

Tensile Strength: 34000 N

Direct Torque: 80 Nm

Body Torque: 30 Nm

Shear Strength: 6500 N



	Material		Customer Part No.	
	Finish		Web Ref No	