

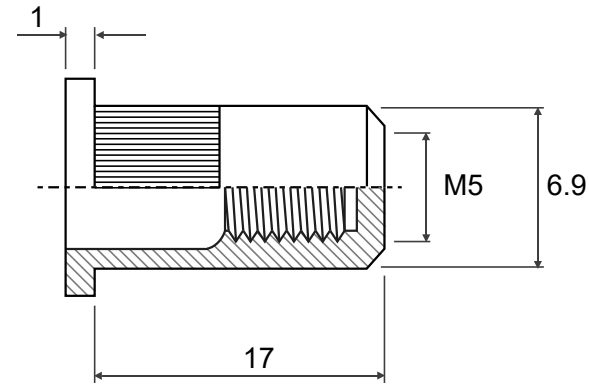
Approximate Performance in Laboratory Tests

Tensile Strength: 11500 N

Direct Torque: 8.5 Nm

Body Torque: 2 Nm

Shear Strength: 2000 N



	Material		Customer Part No.	
	Finish		Web Ref No	